



# BC-Serie

**Adjustable pedestal for any type  
of terrace or raised floor**





# BC-Serie

Inspiring creativity...

Founded in 1987, **Buzon Pedestal International** is the first and leading European manufacturer of screw-jack pedestals. Buzon screw-jack pedestals offer uninterrupted adjustability, are made from **80% recycled** and **100% recyclable** polypropylene and support loads of more than **1000 kg per pedestal**. They can be adjusted to compensate for up to 5% pitch, or compensate for locally uneven sub-bases up to the same amount. Once pedestals are at the required height, their position is fixed with unique lockable keys.

The pedestals and their accessories are equally suited to applications at ground or roof level and from prestige, highly aesthetic projects to industrial, performance-orientated applications. Buzon is geared towards giving the specifier not just a product that meets and exceeds the required specification, but technical and on-site support that ensures the installation proceeds on spec, on time and on budget.



### Bottom piece :

- Head of support (surface of 165 cm<sup>2</sup>)
- Coupler
- Base (surface of 314 cm<sup>2</sup>)
- Slope Corrector (0 to 5%)

The **head of the support (1)** is screwed directly onto the base or the coupler. The head, with a diameter of 145 mm, can be options of 4 tabs of 2 - 4,5 - 6 - 8 - 10 mm thickness making an open joint between the stone tiles. The head of the pedestal is also available without tabs.

On the head of the coupler, a **safety notch (2)** at the base of the threaded part indicates the limit of adjustment in height and prevents over extension.

On the head of support, **12 holes (3)** of 8 mm in diameter from all fixing options.

The **coupler (4)** is used when the height of the pedestal exceeds 200mm. Two **wire hooks (5)** on the sides allow for the pedestals to be tied to each other, guaranteeing greater stability when the height exceeds 305 mm.

The **base (6)** is 5mm thick polypropylene, 200 mm in diameter and can be simply placed or fixed on a solid substrate.

It also has holes at the bottom for **drainage (7)**.

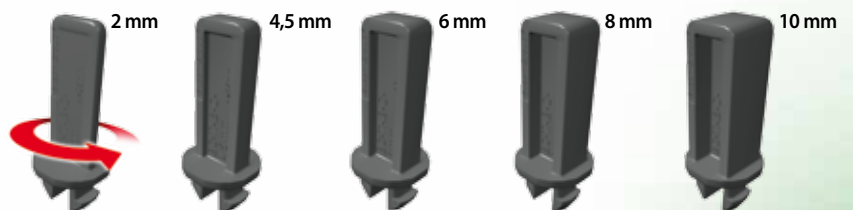
The **slope corrector BC-PH5 (8)** can compensate, a horizontal, a slope from 0 to 5% (slope from 0 to 5 cm per meter). This is placed under the base of the pedestal.

## Independant tabs

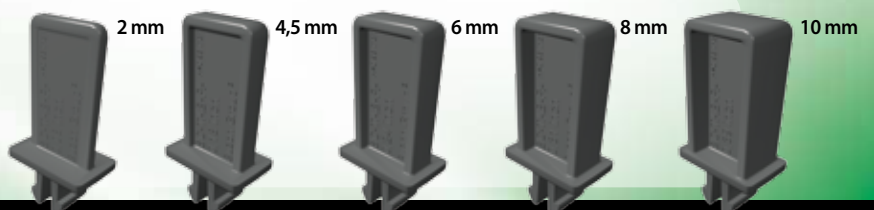
Manufactured in POM  
 Tabs Available in 2 - 4,5 - 6 - 8 - 10 mm thickness to achieve an open gap between pavers.



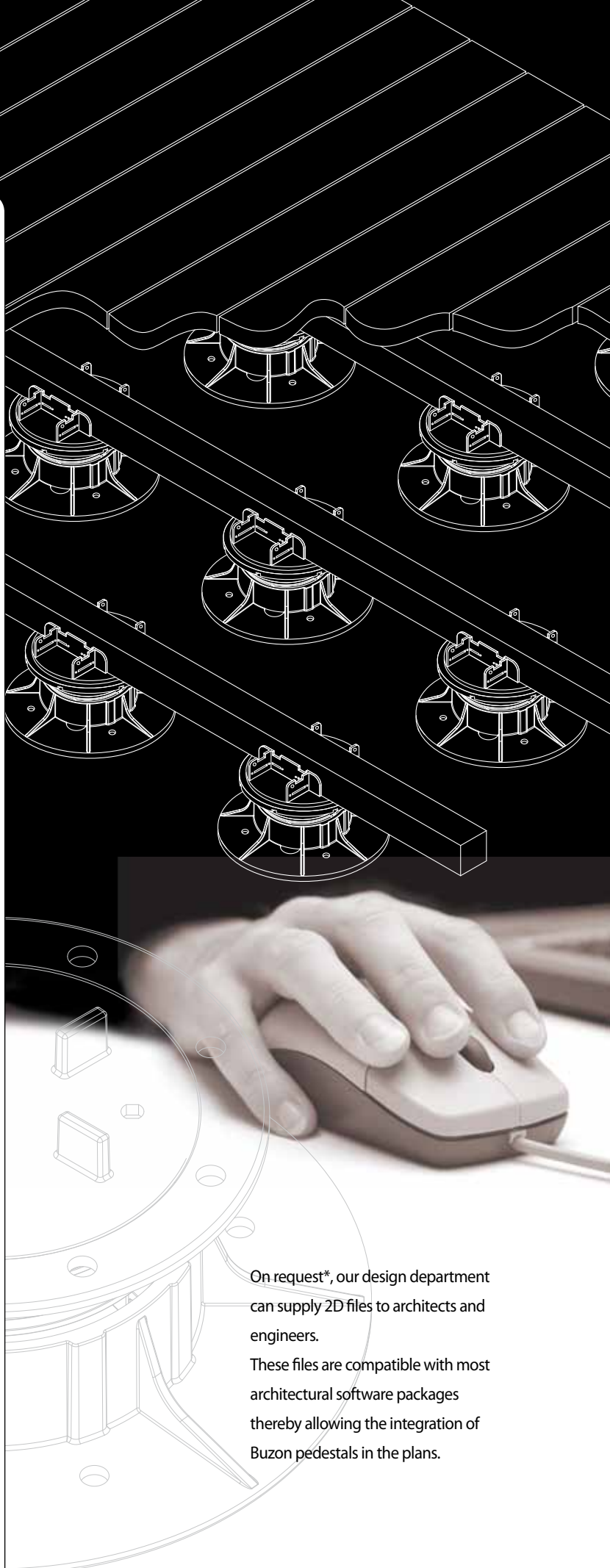
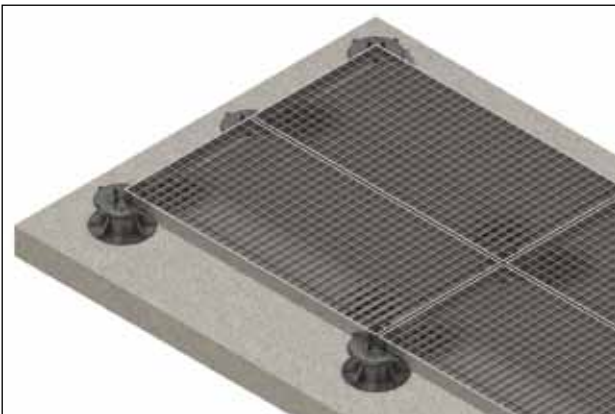
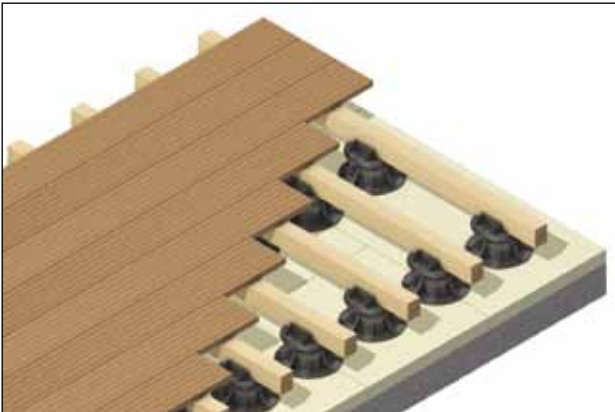
### Circular tabs



### Rectangular tabs



# Applications



On request\*, our design department can supply 2D files to architects and engineers.

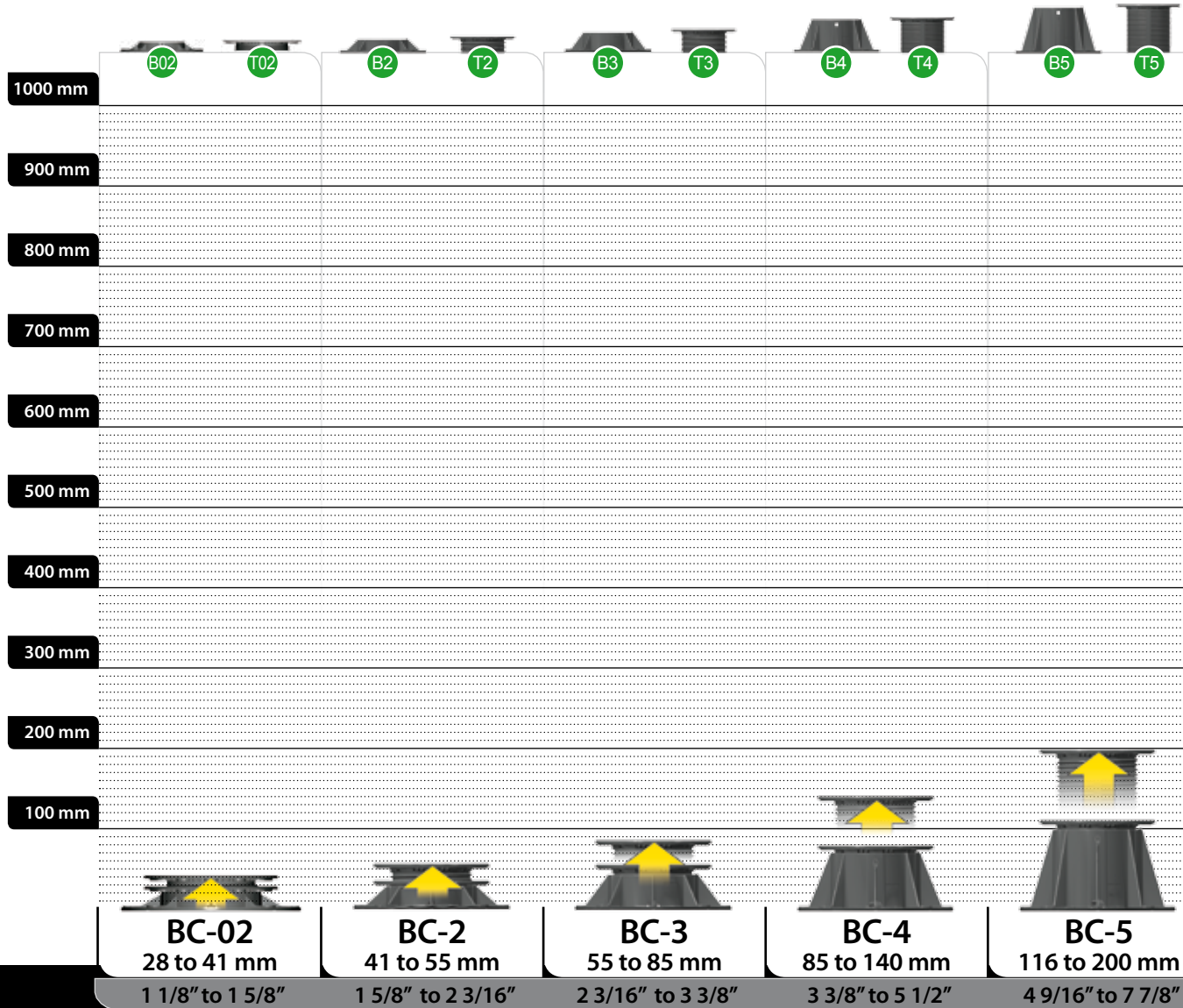
These files are compatible with most architectural software packages thereby allowing the integration of Buzon pedestals in the plans.

\* Specification test on request

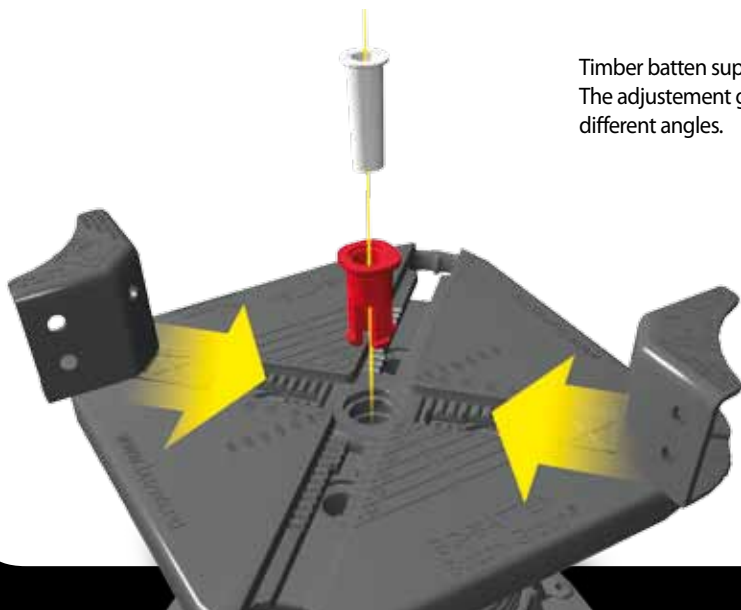
# Heights of Buzon Screwjack

Adjustable pedestals from 28 to 1030 mm (1 1/8" to 40 9/16")

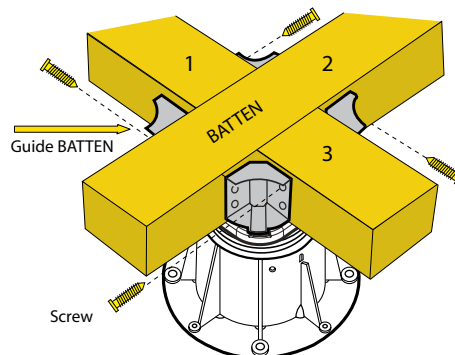
Standard pedestal from 28 to 200 mm (1 1/8" to 7 7/8")



## Timber batten support



Timber batten support from 35 to 90 mm  
The adjustment guide allows the positioning of the timber batten at different angles.



## Shim

Made in EPDM of 1 or 2 mm  
for use with marble, stone  
• anti slip values  
• Shock & sound absorption  
Allows to compensate during differences in thickness of the

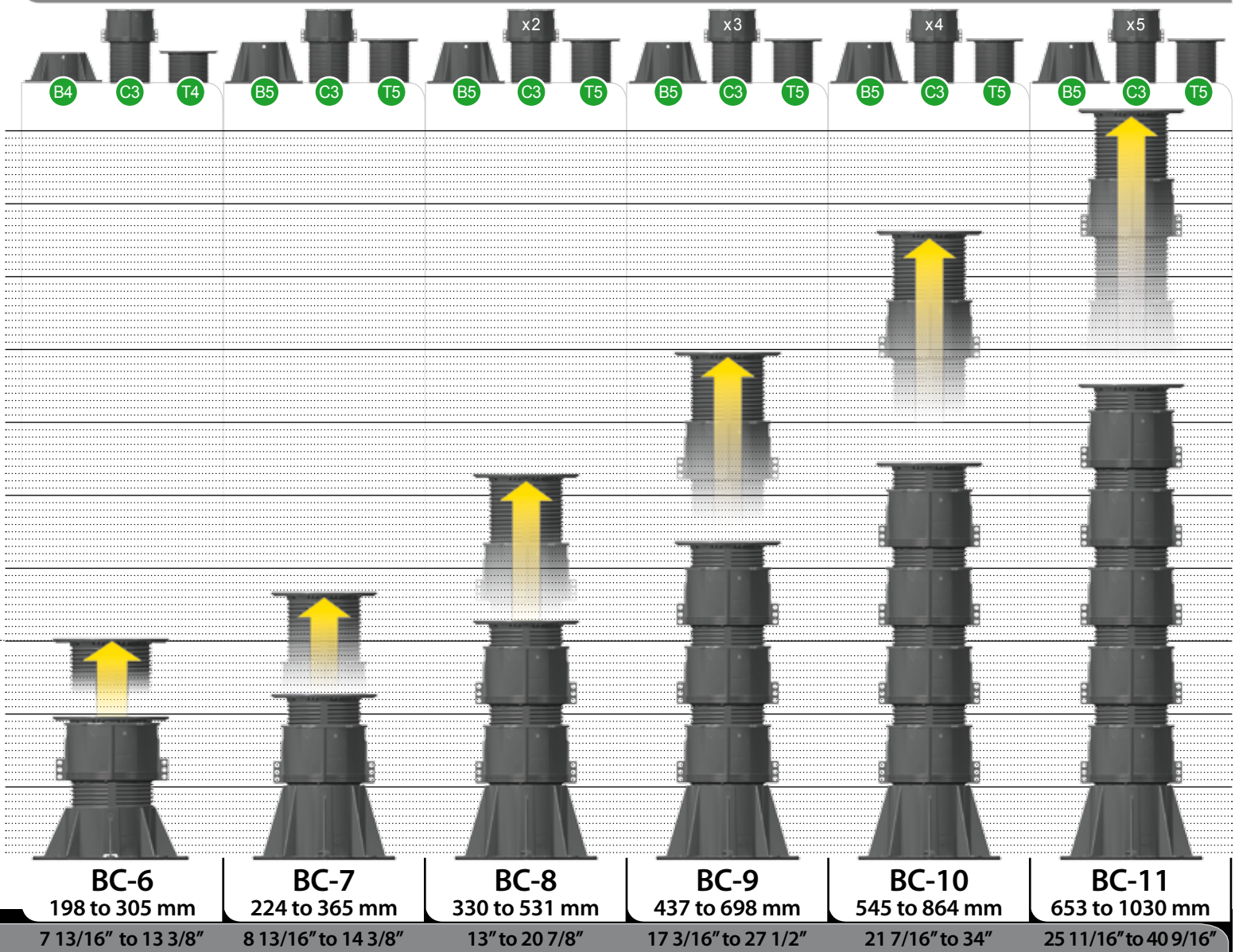


# pedestals BC-Serie



\* Test available on request

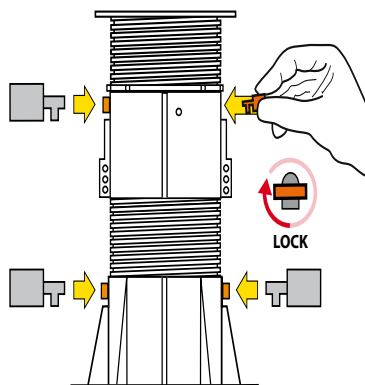
Extensions from 200 to 1030 mm (7 7/8" to 40 9/16") with the C3 coupler



## Security Key

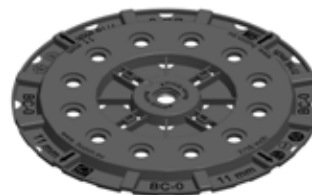


- Security
- Stability
- Longevity



## Pedestal not adjustable

Standard pedestal **BC-0** from 11 mm



11 mm

Standard pedestal **BC-1** from 14 mm

14 mm



reinforced (Shore 60), slabs, granite etc for :

the installation, the stones used.



# BC-PH5

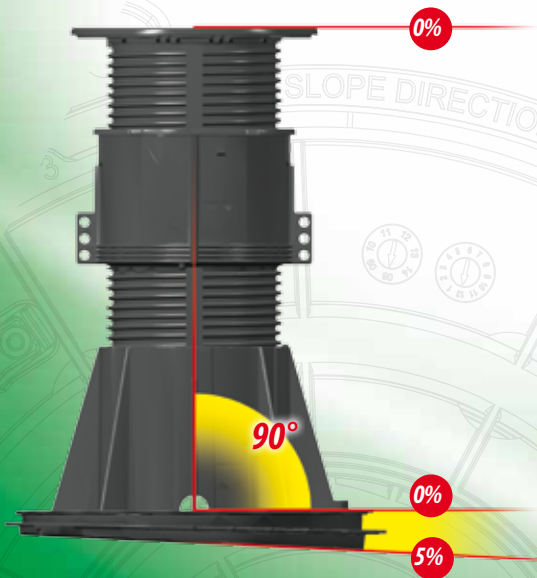
## Slope corrector

A slope corrector placed under the base of the pedestal will compensate up to 5 % in the substrate, and up to 10 % by coupling two slope correctors.



**Example :**  
Correct and adjust a slope of 5 % with the BC-PH5 slope corrector.

**The slope corrector BC-PH5 increases the height of the pedestals by 12mm**



**Example :**  
Correct and adjust a slope of 8 % by coupling two BC-PH5 slope corrector ( 5% + 3% ) included pedestals BC-1.





# Unlimited solutions for your terrace design

The BC Series adopts a new method of spacer tabs to separate pavers, inspiring creative architecture with unlimited possibilities.

Independent tabs are fixed to the head of the pedestal and with the unique 360° rotation, the space between pavers will match perfectly.

**360°**



90°

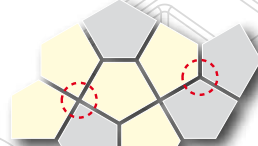
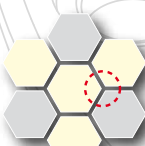
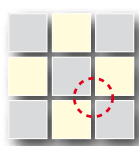
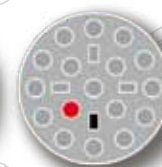
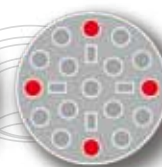
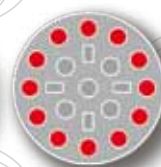
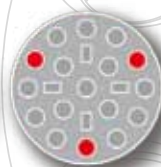
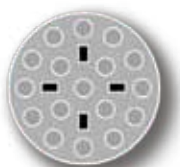
60°

120°

30°

90°

45°



Rectangular or square pavers

Triangular pavers

Hexagonal pavers

Triangular pavers

Pentagonal pavers



ACROPOLIS MUSEUM - GREECE



TEMPLE - TOKYO (JAPON) - ARCH. SHINKENCHIKU-SHA



EUROPEAN CENTRAL BANK HEAD OFFICE - G.D. LUXEMBOURG



TERRACE FOUNTAIN IN MALBORK - POLAND



OFFICE BUILDING - GREECE



PETRONAS TOWER - KUALA LUMPUR MALAYSIA



MILITARY ROYAL SCHOOL, BRUSSELS - BELGIUM



AMUSEMENT PARK - BELGIUM



UNIVERSITY OF DENVER, COLORADO - THE UNITED STATES



BANK GARANTI - ISTANBUL (TURKEY)

# References

- Site of the Parliament of the EU, Brussels - Belgium (2 000 m<sup>2</sup> with base to 55 cm)
- Military Royal School, Brussels - Belgium (Timber terrace - 1.500m<sup>2</sup>)
- National museum of Tokyo - Japan (300 m<sup>2</sup>)
- University hospital of Kansas City - the United States (1 000m<sup>2</sup>)
- University of Denver, Colorado - the United States
- Building of the site of the European Parliament, Strasbourg - France (2 000m<sup>2</sup>)
- Site of the General society, Brussels - Belgium
- Bank Communal Crédit, Brussels - Belgium
- Disneyland, Paris - France (500m<sup>2</sup>)
- Industrial laboratory of Films FUJY - France
- Metro Station - Lisbon (Portugal) (1 000 m<sup>2</sup>)
- Petronas Tower - Kuala Lumpur - Malaysia
- Diabete Traitement Center - Kuwait
- National Theatre - Singapore (1 500m<sup>2</sup>)
- City Bank - Bahrain (875m<sup>2</sup>)
- Winn Hotel - Las Vegas
- Berlaimont - Bruxelles - Belgium (2 000 m<sup>2</sup>)



SEA-WORLD AMUSEMENT PARK ORLANDO USA FLORIDA



**BUZON Pedestal International s.a.**  
 Z. I. des Hauts-Sarts, Zone 1  
 Prolongement de la rue de l'Abbaye  
 B-4040 Herstal (Belgique - Europe)  
 Tél. : +32 (0)4 248 39 83 - Fax : +32 (0)4 264 82 38

[www.buzon-world.com](http://www.buzon-world.com)