



BC-Serie

**Adjustable pedestal for any type
of terrace or raised floor**





BC-Serie

Inspiring creativity...

Founded in 1987, **Buzon Pedestal International** is the first and leading European manufacturer of screw-jack pedestals.

Buzon screw-jack pedestals offer uninterrupted adjustability, are made from **78% recycled** and **100% recyclable** polypropylene and support loads of more than **1000 kg per pedestal**. They can be adjusted to compensate for up to 5% pitch, or compensate for locally uneven sub-bases up to the same amount.

Once pedestals are at the required height, their position is fixed with unique lockable keys.

The pedestals and their accessories are equally suited to applications at ground or roof level and from prestige, highly aesthetic projects to industrial, performance-orientated applications.

Buzon is geared towards giving the specifier not just a product that meets and exceeds the required specification, but technical and on-site support that ensures the installation proceeds on spec, on time and on budget.



Bottom piece :

- Head of support (surface of 175 cm²)
- Coupler
- Base (surface of 320 cm²)
- Slope Corrector (0 to 5%)

The **head of the support(1)** is screwed directly onto the base or the coupler. The head, with a diameter of 150 mm, can be options of 4 tabs of 2 - 4,5 - 6 - 8 - 10 mm thickness making an open joint between the stone tiles. The head of the pedestal is also available without tabs.

On the head of the coupler, a **safety notch(2)** at the base of the threaded part indicates the limit of adjustment in height and prevents over extension.

On the head of support, **12 holes(3)** of 8 mm in diameter from all fixing options.

The **coupler(4)** is used when the height of the pedestal exceeds 200mm. Two **wire hooks(5)** on the sides allow for the pedestals to be tied to each other, guaranteeing greater stability when the height exceeds 600 mm.

The **base(6)** is 5mm thick polypropylene, 205mm in diameter and can be simply placed or fixed on a solid substrate.

It also has holes at the bottom for **drainage (7)**.

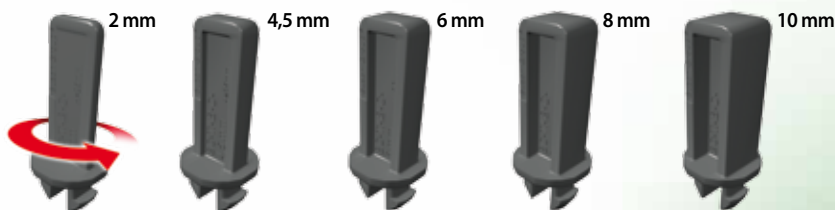
The **slope corrector BC-PHS(8)** can compensate, a horizontal, a slope from 0 to 5% (slope from 0 to 5 cm per meter). This is placed under the base of the pedestal.

Independant tabs

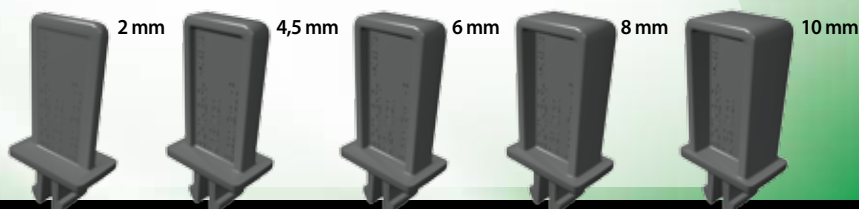
Manufactured in POM
 Tabs Available in 2 - 4,5 - 6 - 8 - 10 mm thickness to achieve an open gap between pavers.



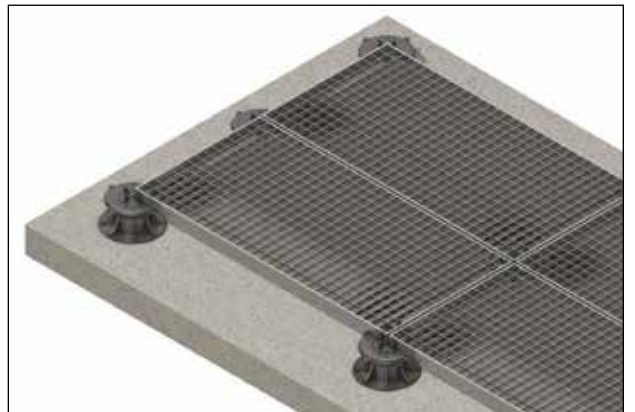
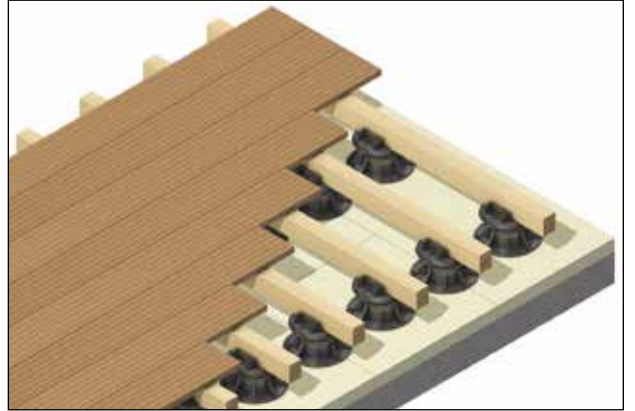
Circular tabs



Rectangular tabs



Applications



On request*, our design department can supply 2D files to architects and engineers. These files are compatible with most architectural software packages thereby allowing the integration of Buzon pedestals in the plans.

* Specification test on request

Shim

Made in EPDM of 1 or 2 mm reinforced (Shore 50), for use with marble, stone slabs, granite etc for :

- anti slip values
- Shock & sound absorption

Allows to compensate during the installation, the differences in thickness of the stones used.

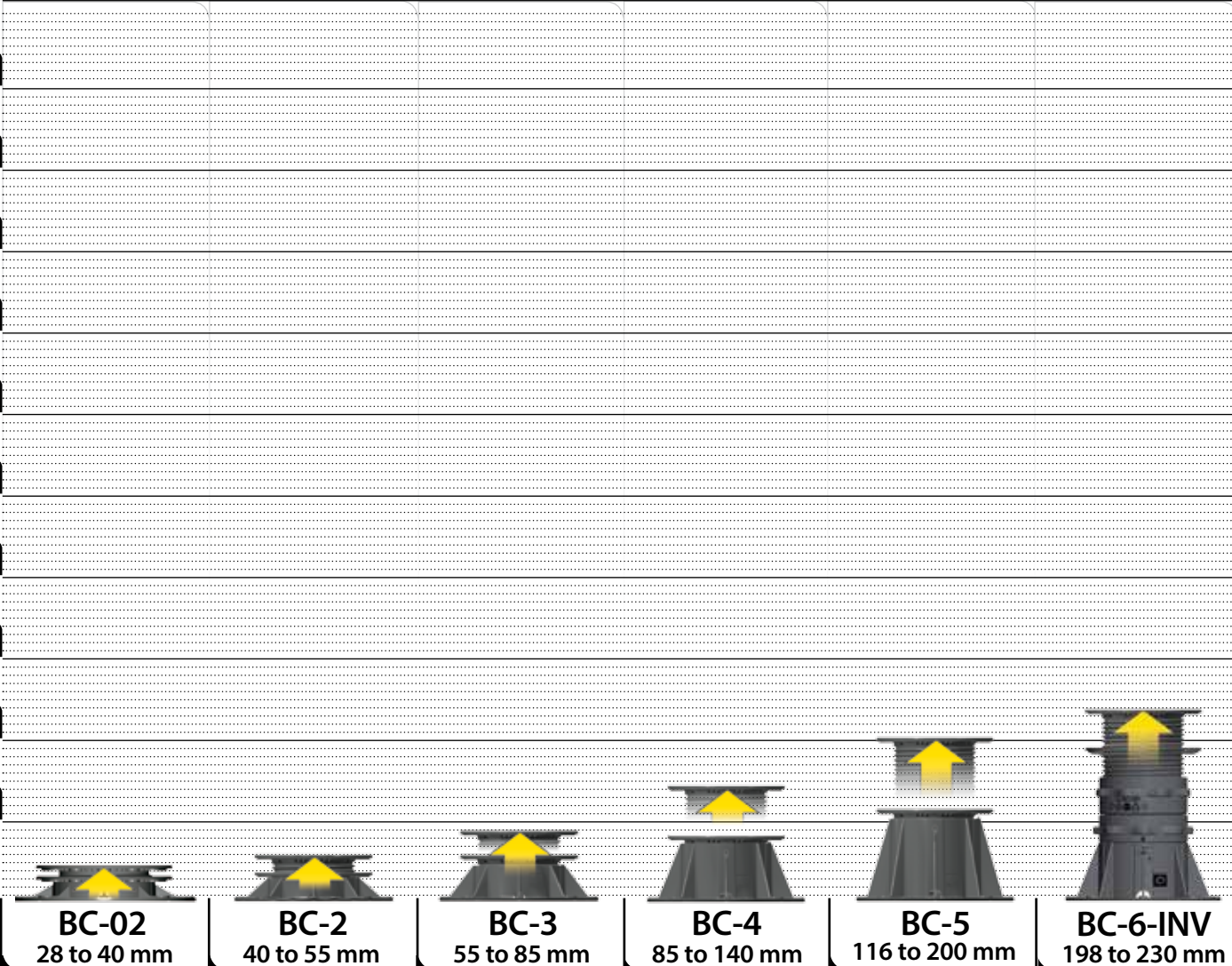


Heights of Buzon Screwjack

Adjustable pedestals from 28 to 1120 mm

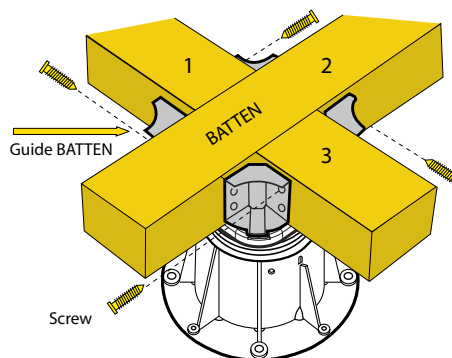
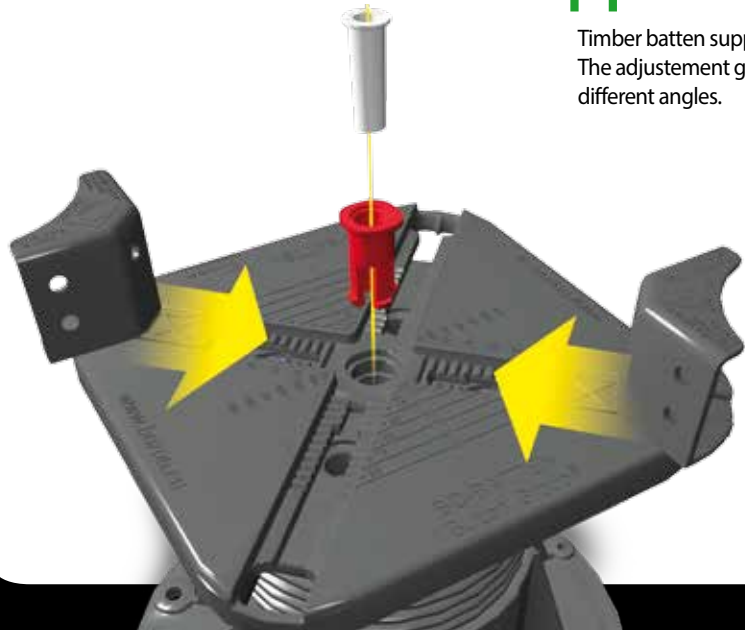
Standard pedestal from 28 to 200 mm

1100 mm
1000 mm
900 mm
800 mm
700 mm
600 mm
500 mm
400 mm
300 mm
200 mm
100 mm



Timber batten support

Timber batten support from 35 to 90 mm
The adjustment guide allows the positioning of the timber batten at different angles.



C4 inverte

C4 inverter allows easy and precise height of the pedestal under the

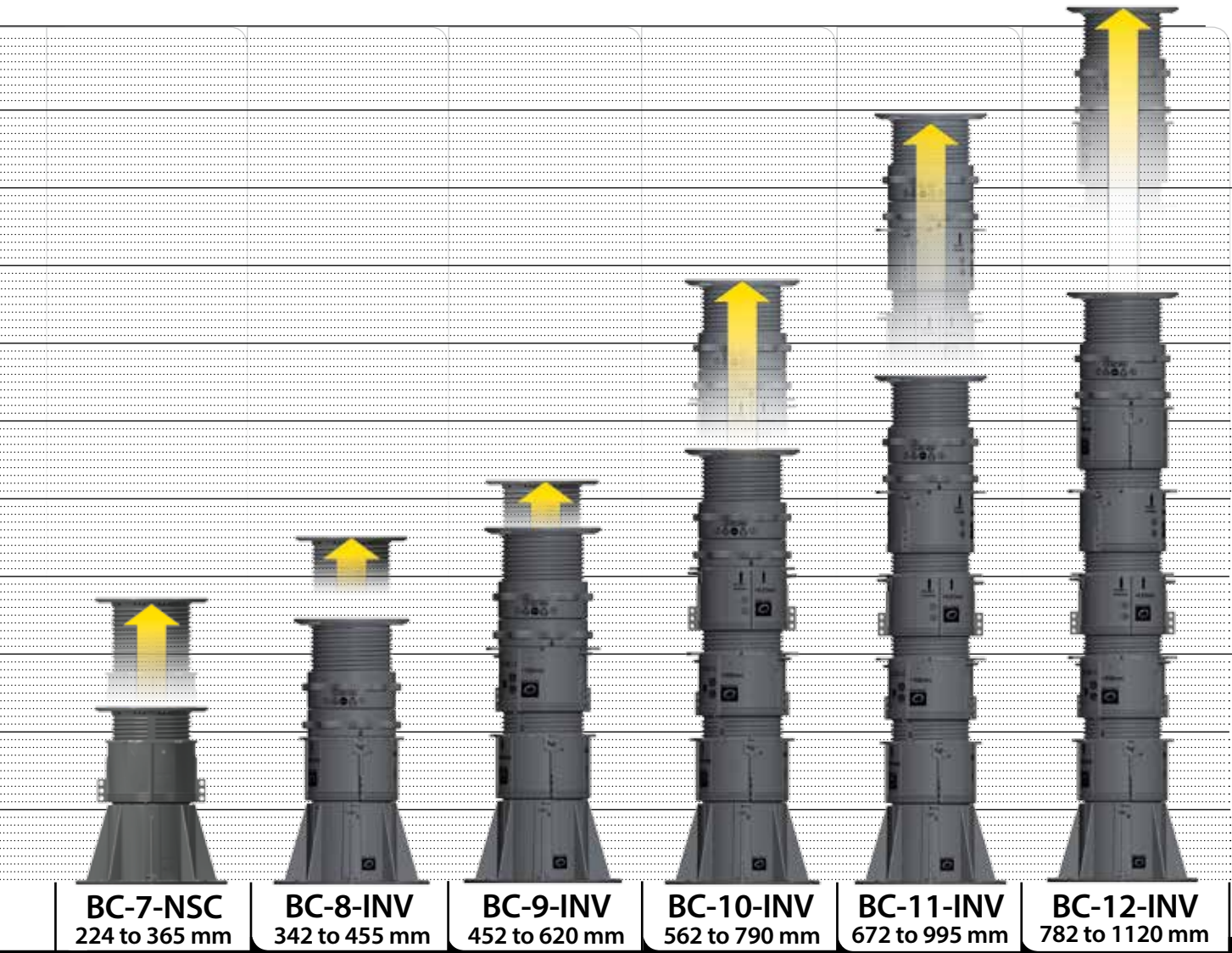


pedestals BC-Serie



* Ped available on request

Extensions from 200 to 1120 mm (with the C3 coupler and C4 inverter)



BC-7-NSC
224 to 365 mm

BC-8-INV
342 to 455 mm

BC-9-INV
452 to 620 mm

BC-10-INV
562 to 790 mm

BC-11-INV
672 to 995 mm

BC-12-INV
782 to 1120 mm

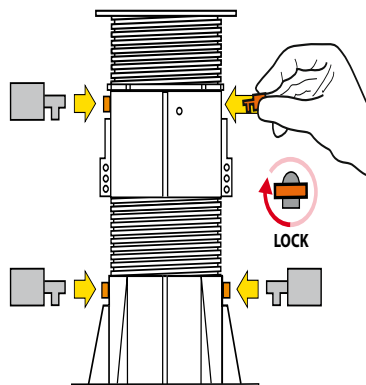
se adjustment of the
tile.



Security Key



- Security
- Stability
- Longevity



Not adjustable pedestal

Standard pedestal **BC-0** from 11 mm



Standard pedestal **BC-1** from 14 mm

14 mm

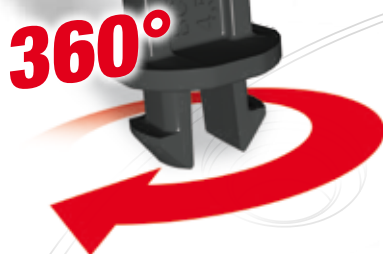




Unlimited solutions for your terrace design

The BC Series adopts a new method of spacer tabs to separate pavers, inspiring creative architecture with unlimited possibilities.

Independent tabs are fixed to the head of the pedestal and with the unique 360° rotation, the space between pavers will match perfectly.



90°

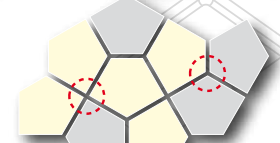
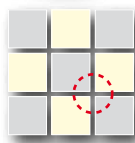
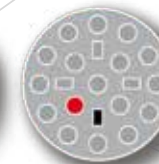
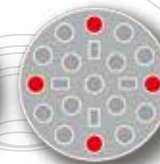
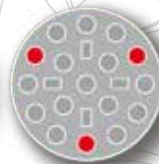
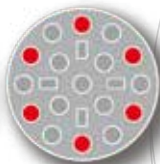
60°

120°

30°

90°

45°



Rectangular or square pavers

Triangular pavers

Hexagonal pavers

Triangular pavers

Pentagonal pavers

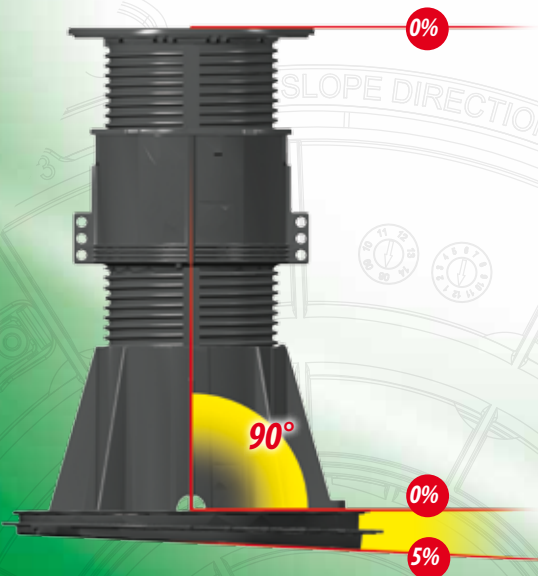
BC-PH5

Slope corrector

A slope corrector placed under the base of the pedestal will compensate up to 5 % in the substrate, and up to 10 % by coupling two slope correctors.



Example :
Correct and adjust a slope of 5 % with the BC-PH5 slope corrector



The slope corrector BC-PH5 increases the height of the pedestals by 12mm

Example :
Correct and adjust a slope of 8 % by coupling two BC-PH5 slope corrector (5% + 3%) included pedestals BC-1.





ACROPOLIS MUSEUM - GREECE



TEMPLE - TOKYO (JAPON) - ARCH. SHINKENCHIKU-SHA



EUROPEAN CENTRAL BANK HEAD OFFICE - G.D. LUXEMBOURG



TERRACE FOUNTAIN IN MALBORK - POLAND



OFFICE BUILDING - GREECE



PETRONAS TOWER - KUALA LUMPUR MALAYSIA



MILITARY ROYAL SCHOOL, BRUSSELS - BELGIUM



AMUSEMENT PARK - BELGIUM



UNIVERSITY OF DENVER, COLORADO - THE UNITED STATES



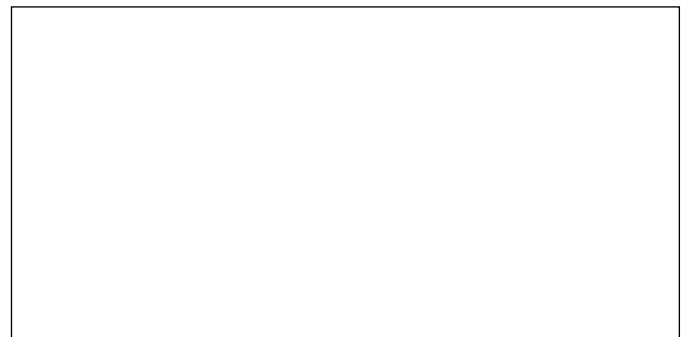
BANK GARANTI - ISTANBUL (TURKEY)

References

- Site of the Parliament of the EU, Brussels - Belgium (2 000 m² with base to 55 cm)
- Military Royal School, Brussels - Belgium (Timber terrace - 1.500m²)
- National museum of Tokyo - Japan (300 m²)
- University hospital of Kansas City - the United States (1 000m²)
- University of Denver, Colorado - the United States
- Building of the site of the European Parliament, Strasbourg - France (2 000m²)
- Site of the General society, Brussels - Belgium
- Bank Communal Crédit, Brussels - Belgium
- Disneyland, Paris - France (500m²)
- Industrial laboratory of Films FUJY - France
- Metro Station - Lisbon (Portugal) (1 000 m²)
- Petronas Tower - Kuala Lumpur - Malaysia
- Diabete Traitement Center - Kuwait
- National Theatre - Singapore (1 500m²)
- City Bank - Bahrain (875m²)
- Winn Hotel - Las Vegas
- Berlaimont - Bruxelles - Belgium (2 000 m²)



SEA-WORLD AMUSEMENT PARK ORLANDO USA FLORIDA



BUZON Pedestal International s.a.
 Z. I. des Hauts-Sarts, Zone 1
 Prolongement de la rue de l'Abbaye
 B-4040 Herstal (Belgique - Europe)
 Tél. : +32 (0)4 248 39 83 - Fax : +32 (0)4 264 82 38



www.buzon-world.com