

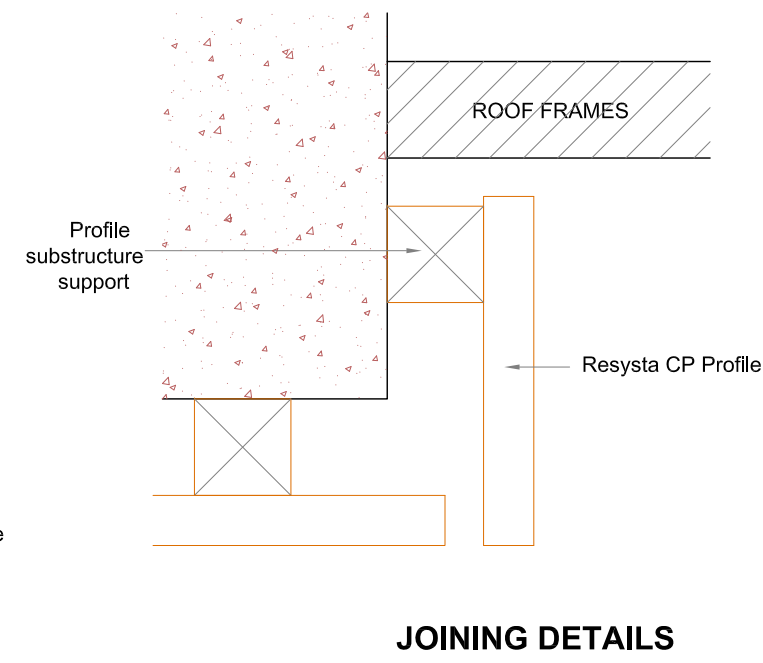
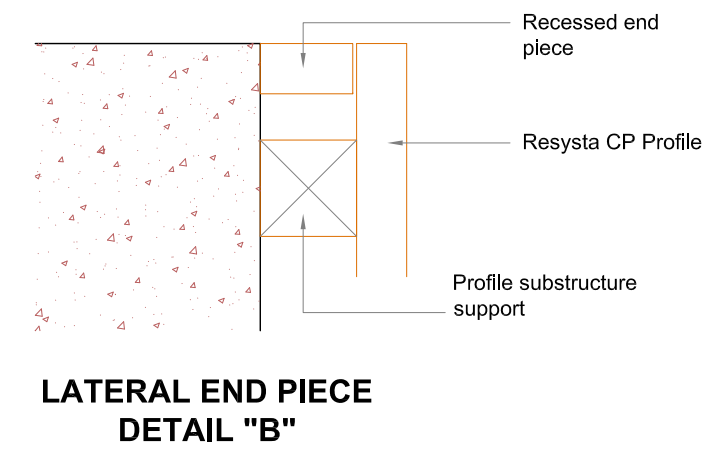
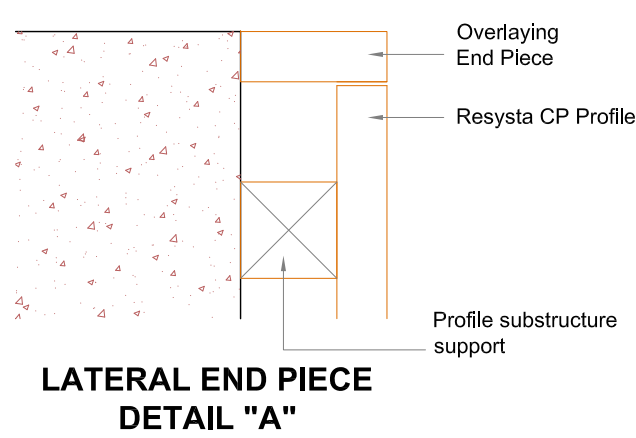
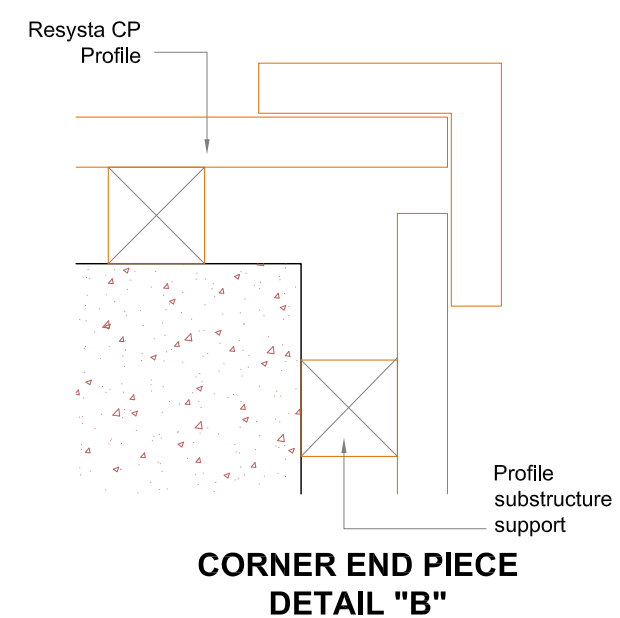
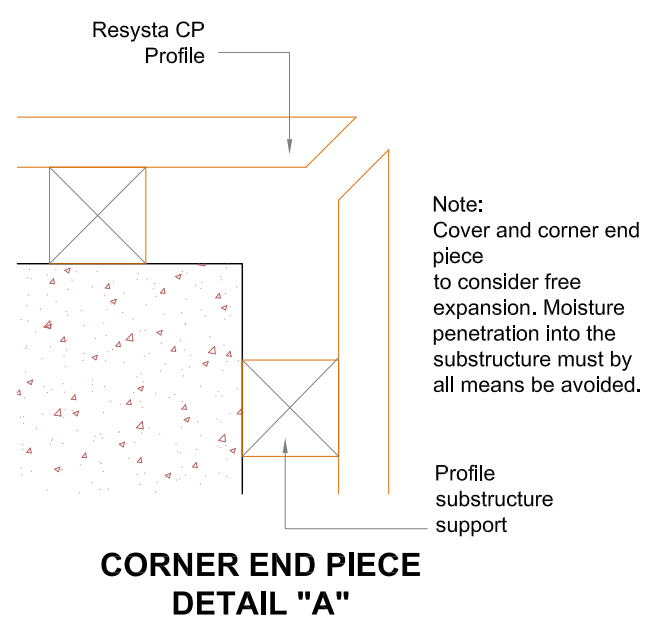
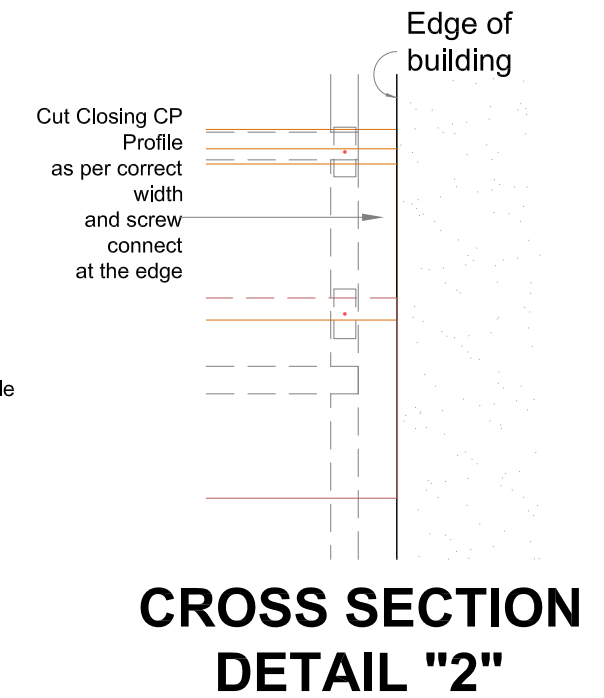
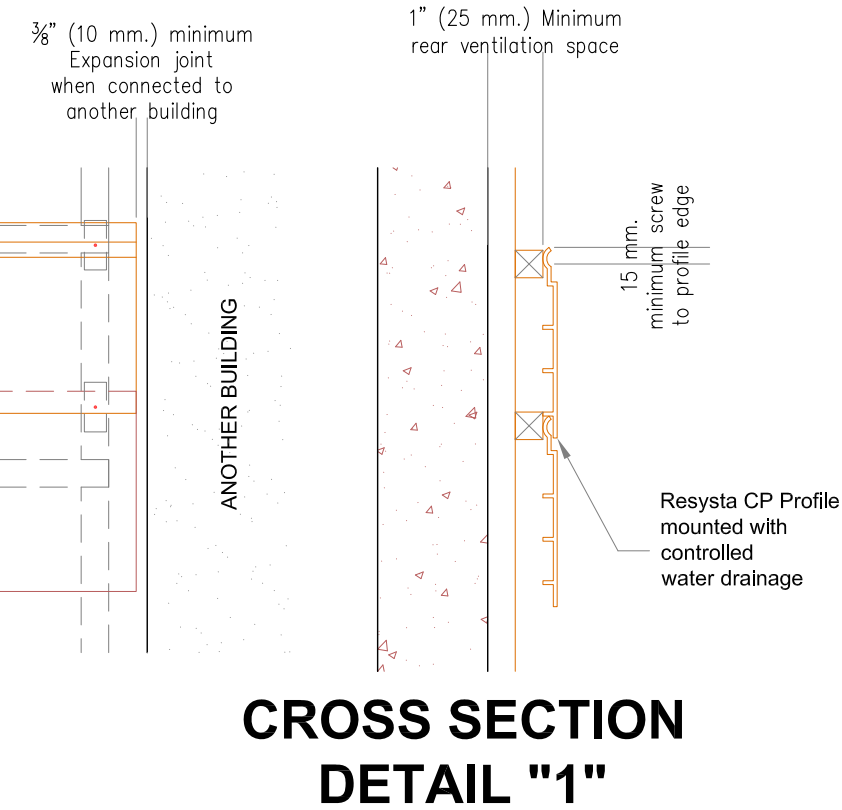
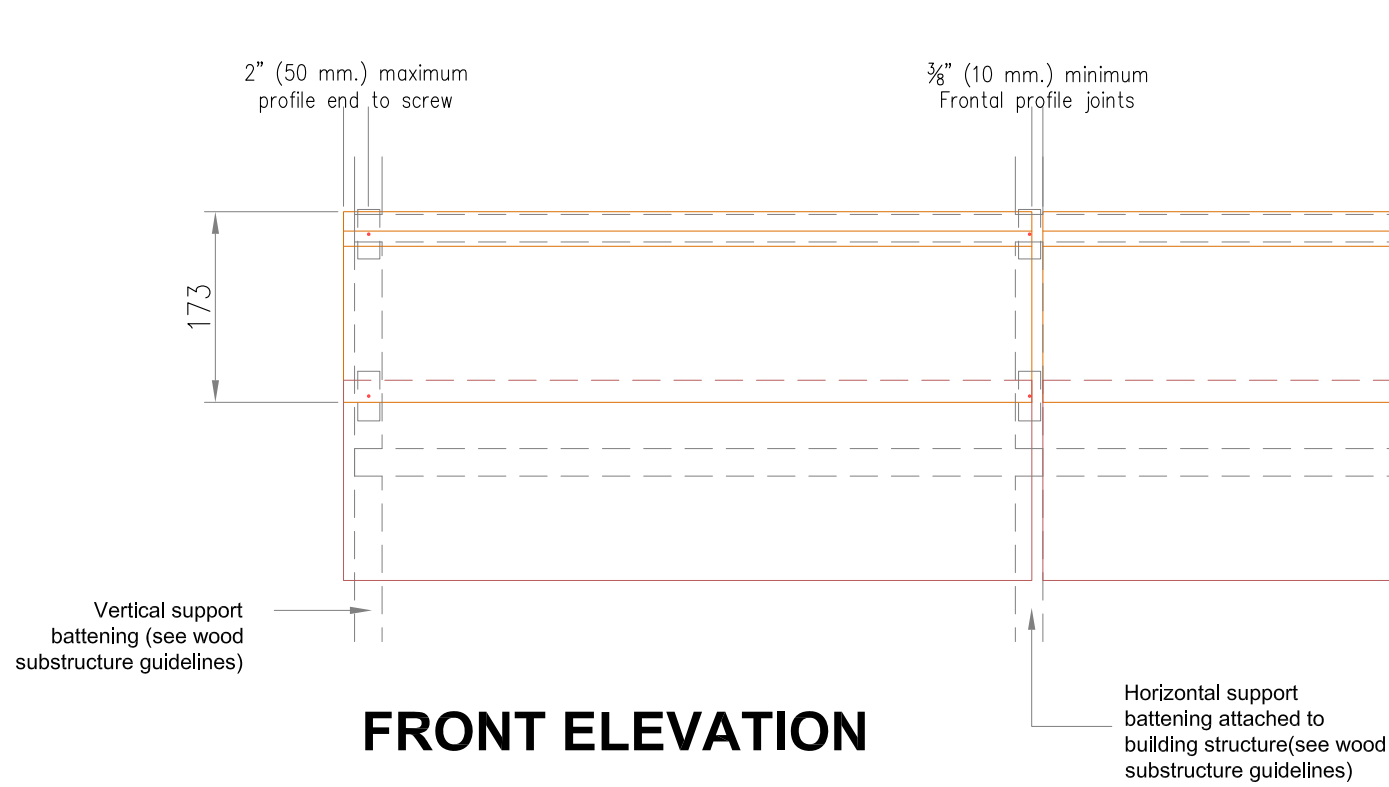
# TYPICAL CP 120612/ CP 120412 INSTALLATION DETAILS

RESYSA CP 120612

Specs: 173 mm Width x 13 mm. Height x 625 mm Maximum Span

RESYSA CP 120412

Specs: 128 mm Width x 13 mm. Height x 625 mm Maximum Span



- Wood Substructure Guidelines**
- Wood must correspond to sort classification S10 according to DIN 4074
  - Individual cross-section must be chosen according to DIN 1052
  - Wood has to be preserved according to DIN 68800 - wood preservation in building construction
  - Protect substructure against ingress of moisture



Providing Architects and Builders with  
Superior Paving, Decking and Pedestal Products.

Commercial | Luxury Residential | Municipal

## Extended Team

We can also provide technical consultation and installation training for projects that involve Buzon Pedestals. Please contact us to discuss your particular needs. HDG Building Materials also has a network of experienced installers in many major cities. Please contact us for introductions or referrals.

## Sales Representatives

Sales representatives for HDG Building Materials are located in the Pacific Northwest, Southern California, and Iowa.

Outside of those regions? No problem, we are happy to serve. Please contact us at 503.360.9551



**HDG Building Materials**  
Commercial | Luxury Residential | Municipal

5317 NW Goodwin Loop  
Camas, WA 98607

HDG Building Materials is an expert dealer for Resysta Rainscreen, Cladding, and Decking. HDG provides architectural sales and support in North America.

**503.360.9551**

[sales@hdgbuildingmaterials.com](mailto:sales@hdgbuildingmaterials.com)