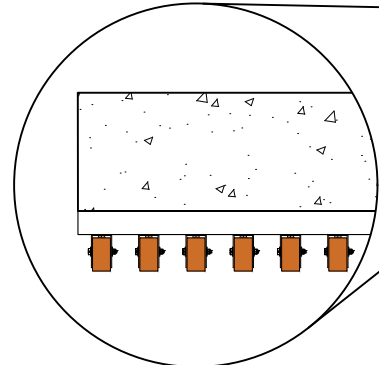
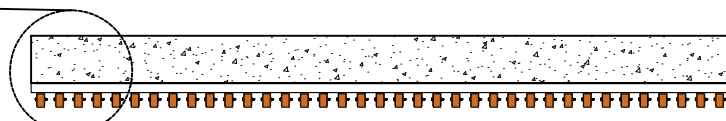


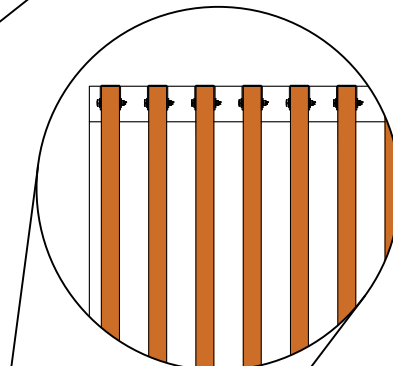
DETAIL-1.0



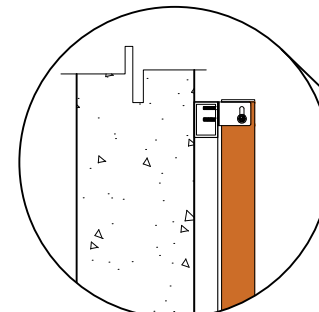
DETAIL-3.0



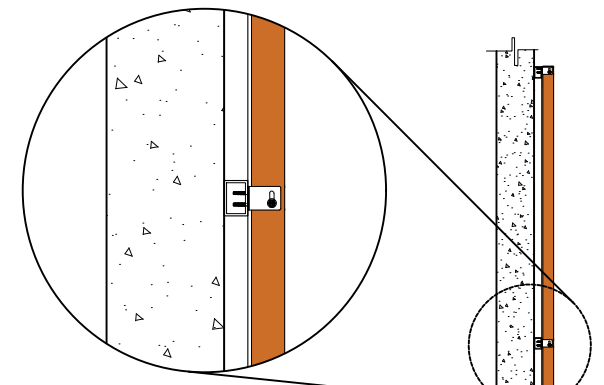
TOP VIEW



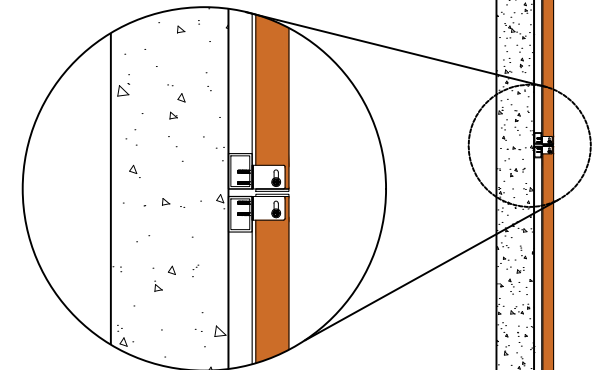
DETAIL-4.0



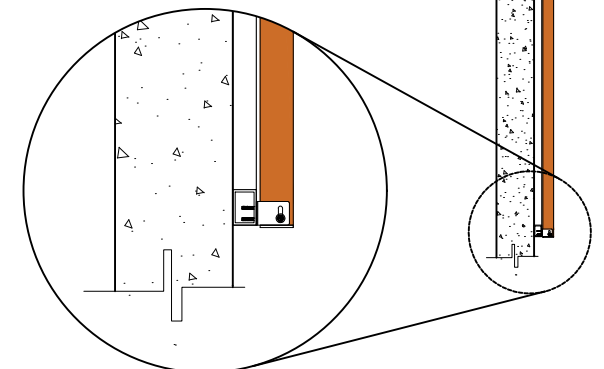
DETAIL-5.0



DETAIL-6.0

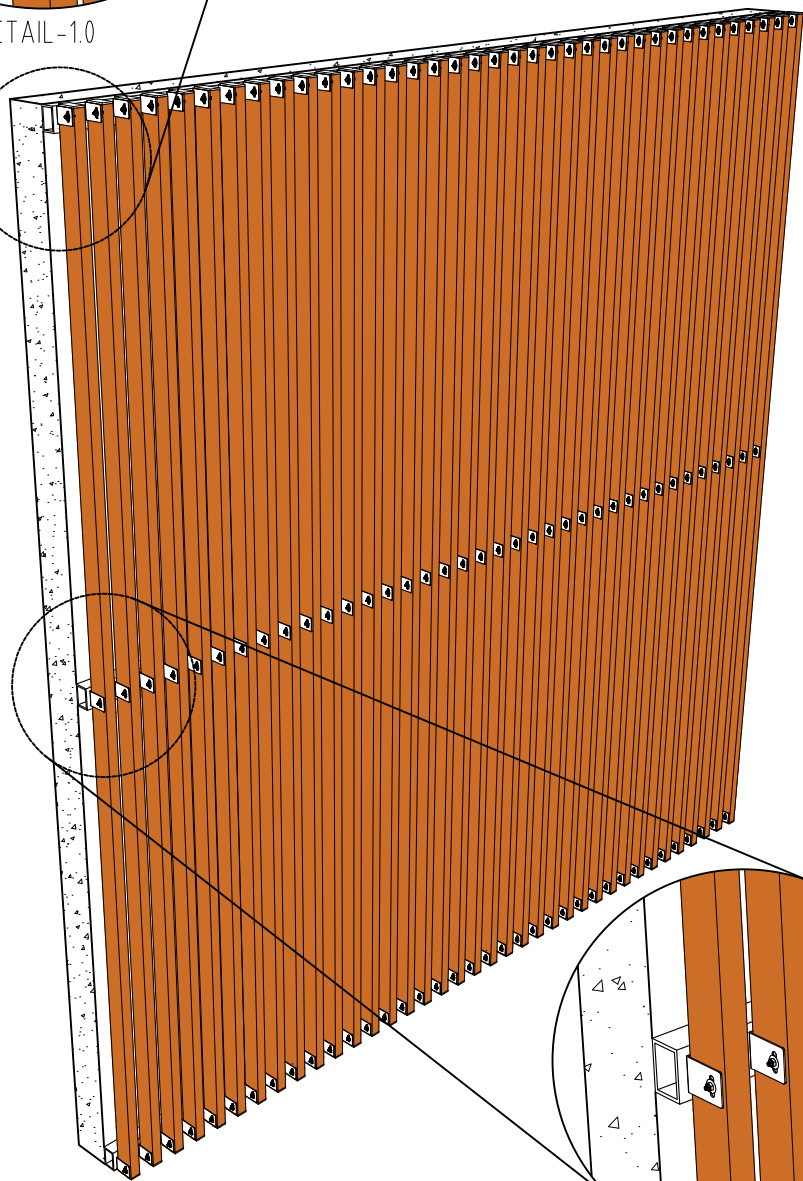


DETAIL-7.0

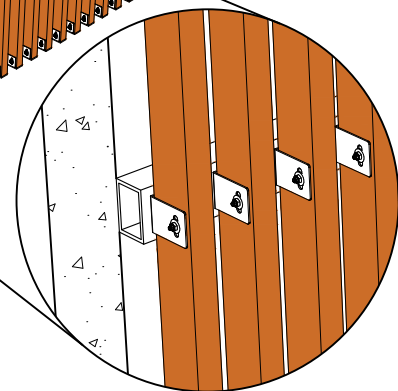


DETAIL-8.0

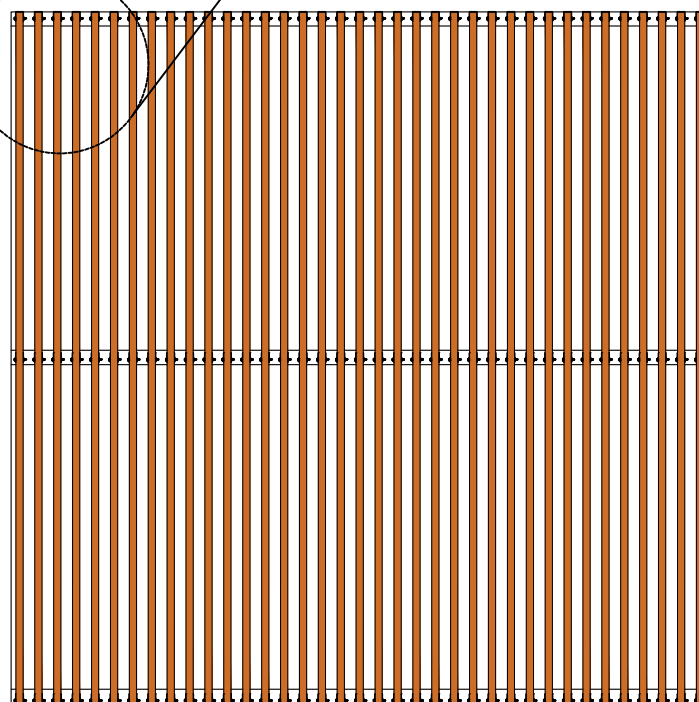
MULTI-BOARD
SIDE ELEVATION



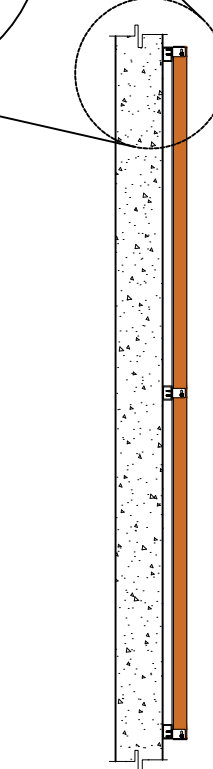
PERSPECTIVE



DETAIL-2.0



FRONT ELEVATION



SIDE ELEVATION

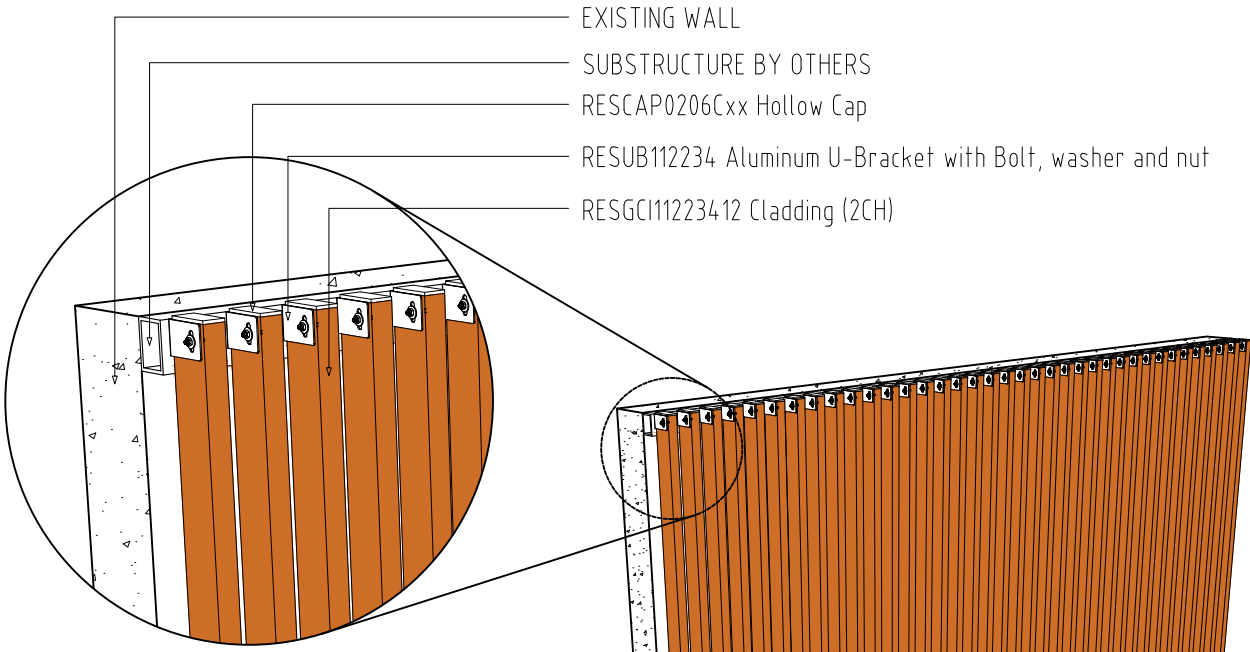
2
2AL VCUB

2CH AL VERTICAL CLADDING U-BRACKET

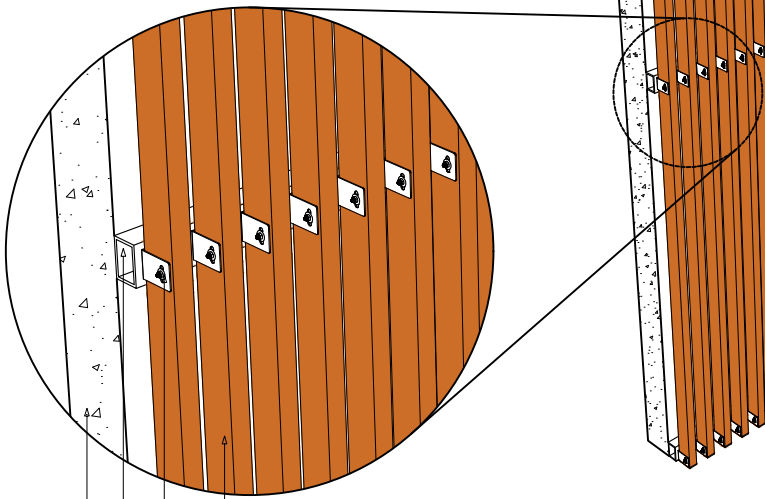
RESYSTA PROFILE WITH ALUMINUM INSERT (RESGCI1223412)



CONTACT PHONE: 503-360-9551 E-MAIL: sales@hdgbuildingmaterials.com WEB: hdgbuildingmaterials.com	TITLE 2CH AL - U Bracket VERTICAL CLADDING DETAIL	SPECIFICATION TYPICAL DRAWING DETAIL CAD BY: CHECKED BY:	SHEET CONTENT	SHEET SIZE A3	DRAWING NO. 2AL-VCUB-2.1
			PERSPECTIVE TOP VIEW FRONT ELEVATION SIDE ELEVATION MULTI-BOARD SIDE ELEVATION		



DETAIL - 1.0
END PART



DETAIL - 2.0
MIDDLE PART

PERSPECTIVE

SUB-DETAIL
2AL VCUB 2.2

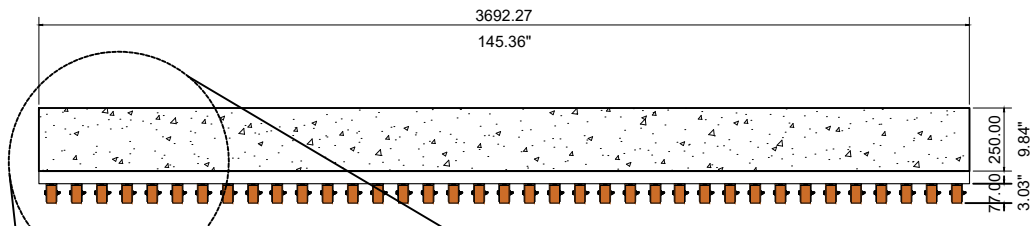
N.T.S

DIMENSION LEGEND

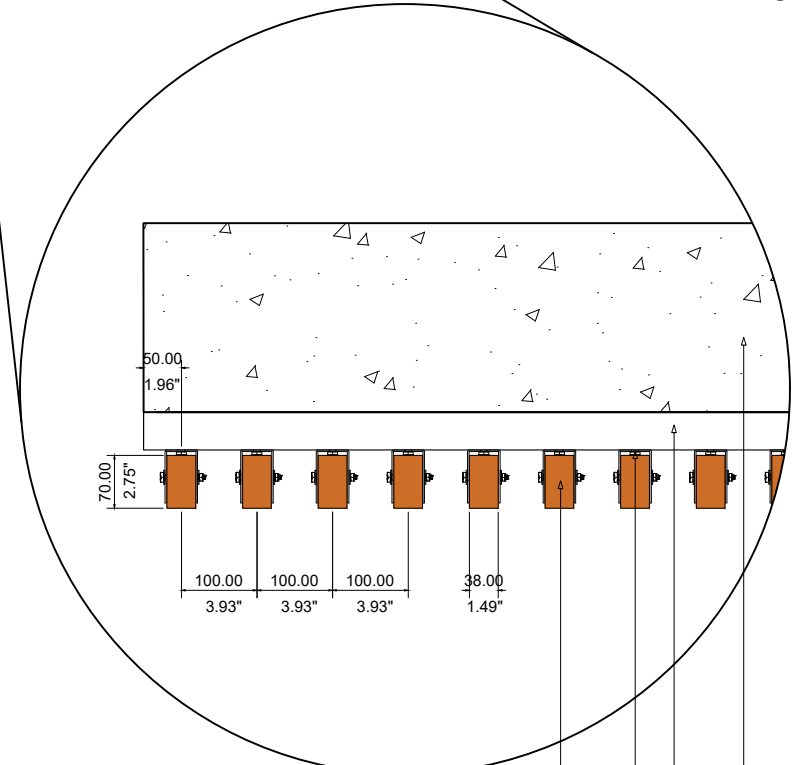
Millimeter (mm)
Inches (") / Foot (')



CONTACT PHONE: 503-360-9551 E-MAIL: sales@hdgbuildingmaterials.com WEB: hdgbuildingmaterials.com	TITLE 2CH AL - U BRACKET VERTICAL CLADDING SUB-DETAIL	SHEET CONTENT PERSPECTIVE DETAIL -1.0 DETAIL -2.0	
	SPECIFICATION TYPICAL DRAWING DETAIL	DRAWING NO. 2AL-VCUB-2.2	DATE 27.02.23
		CAD BY:	CHECKED BY:



TOP VIEW



- RESGC112234.12 Cladding (2CH) _____
- RESUB112234 Aluminum U-Bracket with Bolt, washer and nut _____
- SUBSTRUCTURE BY OTHERS _____
- EXISTING WALL _____

DETAIL - 3.0

SUB-DETAIL
2AL VCUB 2.3

N.T.S

DIMENSION LEGEND	
	Millimeter (mm)
	Inches (") / Foot (')



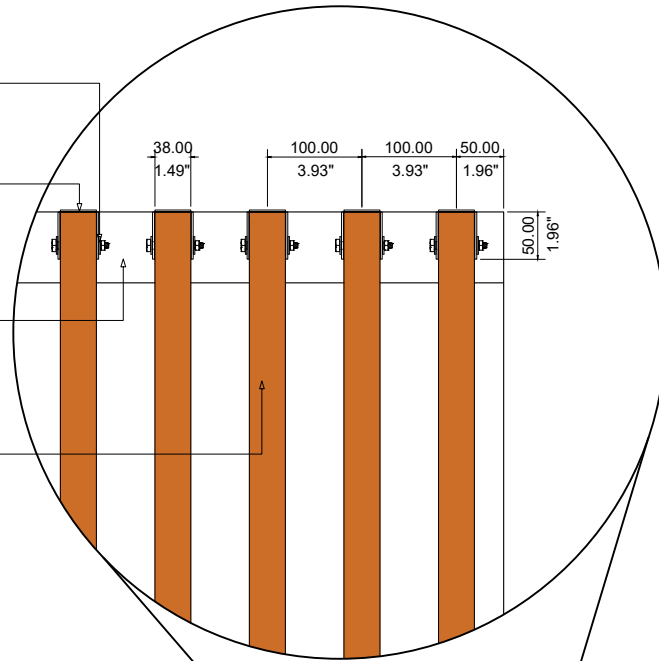
CONTACT	TITLE	SHEET CONTENT	
PHONE: 503-360-9551 E-MAIL: sales@hdgbuildingmaterials.com WEB: hdgbuildingmaterials.com	2CH AL - U BRACKET VERTICAL CLADDING SUB-DETAIL	TOP VIEW DETAIL -3.0	
	SPECIFICATION	DRAWING NO.	DATE
	TYPICAL DRAWING DETAIL	2AL-VCUB-2.3	27.02.23
		CAD BY:	CHECKED BY:

RESUB112234 Aluminum U-Bracket
with Bolt, washer and nut

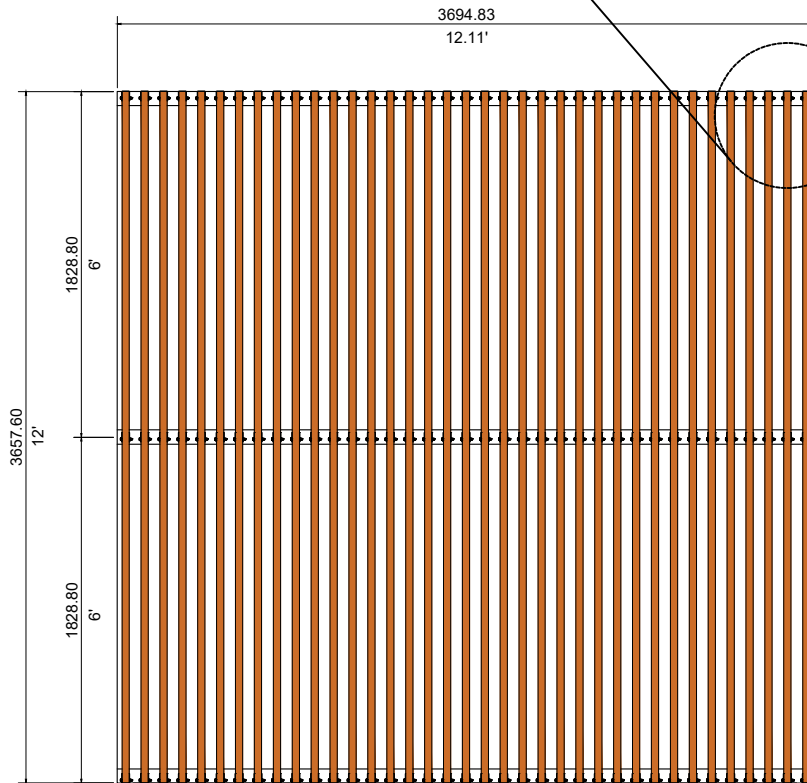
RESCAP0206Cxx Hollow Cap

SUBSTRUCTURE BY OTHERS

RESGCI112234.12 Cladding (2CH)



DETAIL - 4.0



FRONT ELEVATION

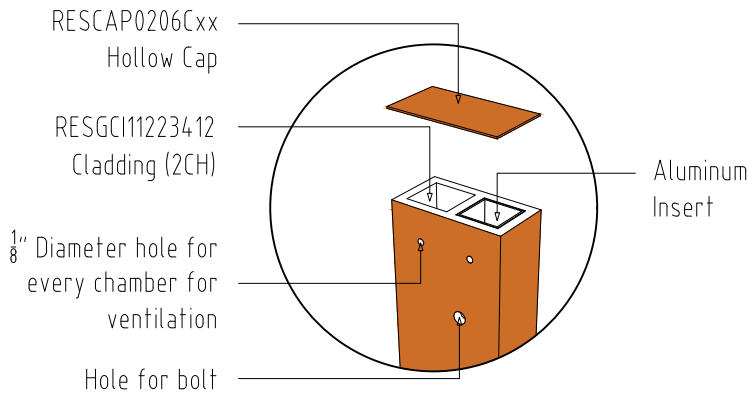
SUB-DETAIL
2AL VCUB 2.4

N.T.S

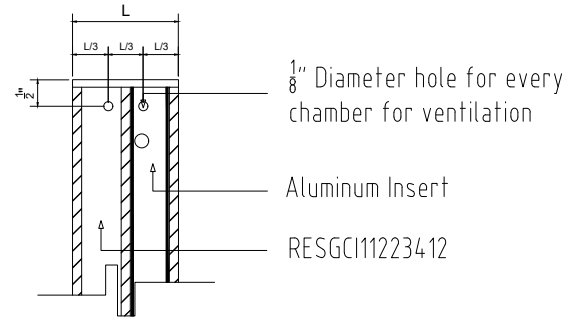
DIMENSION LEGEND	
	Millimeter (mm)
	Inches (") / Foot (')



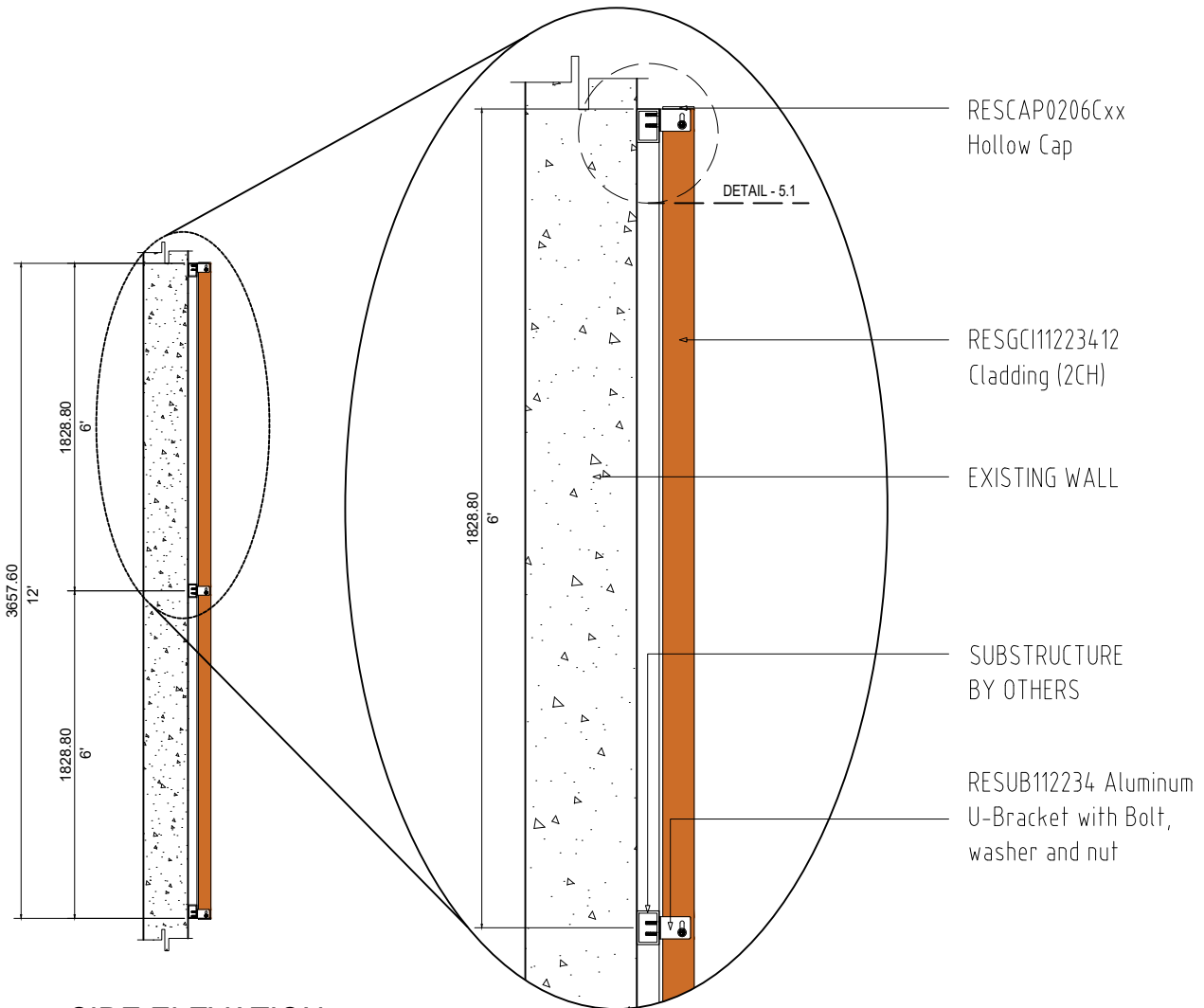
CONTACT	TITLE	SHEET CONTENT	
PHONE: 503-360-9551 E-MAIL: sales@hdgbuildingmaterials.com WEB: hdgbuildingmaterials.com	2CH AL - U BRACKET VERTICAL CLADDING SUB-DETAIL	FRONT ELEVATION	
		DETAIL-4.0	
	SPECIFICATION	DRAWING NO.	DATE
	TYPICAL DRAWING DETAIL	2AL-VCUB-2.4	27.02.23
		CAD BY:	CHECKED BY:



DETAIL - 5.1



SECTION



SIDE ELEVATION

DETAIL - 5.0

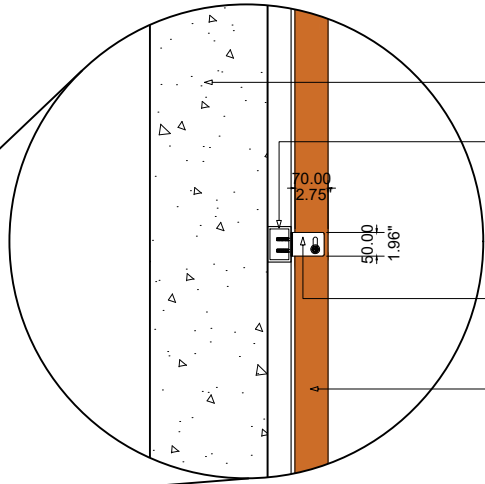
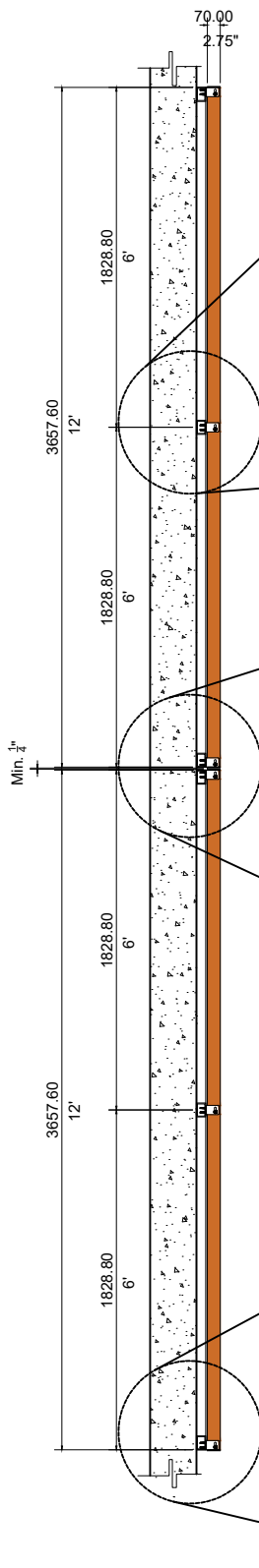
SUB-DETAIL
2AL VCUB 2.5

N.T.S

DIMENSION LEGEND	
Millimeter (mm)	
Inches (") / Foot (')	

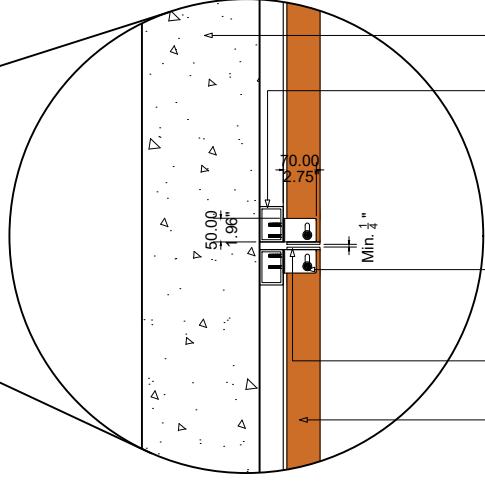


CONTACT	TITLE	SHEET CONTENT		
PHONE: 503-360-9551 E-MAIL: sales@hdgbuildingmaterials.com WEB: hdgbuildingmaterials.com	2CH AL - U BRACKET VERTICAL CLADDING SUB-DETAIL	SIDE ELEVATION		
		DETAIL-5.0		
DETAIL-5.1				
	SPECIFICATION TYPICAL DRAWING DETAIL	SECTION		
		DRAWING NO.		DATE
		2AL-VCUB-2.5		27.02.23
		CAD BY:	CHECKED BY:	



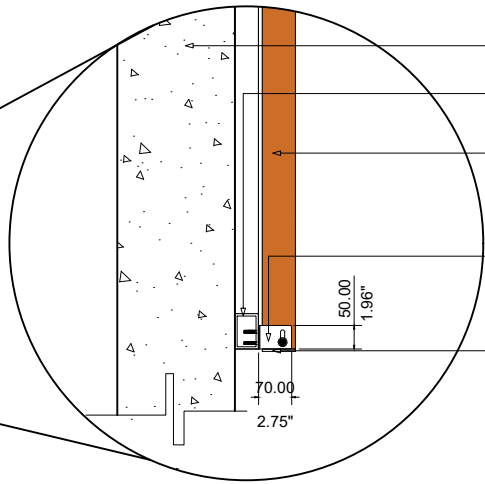
- EXISTING WALL
- SUBSTRUCTURE BY OTHERS
- RESUB112234 Aluminum U-Bracket with Bolt, washer and nut
- RESGCI112234.12 Cladding (2CH)

DETAIL - 6.0



- EXISTING WALL
- SUBSTRUCTURE BY OTHERS
- RESUB112234 Aluminum U-Bracket with Bolt, washer and nut
- RESCAP0206Cxx Hollow Cap
- RESGCI112234.12 Cladding (2CH)

DETAIL - 7.0



- EXISTING WALL
- SUBSTRUCTURE BY OTHERS
- RESGCI112234.12 Cladding (2CH)
- RESUB112234 Aluminum U-Bracket with Bolt, washer and nut
- RESCAP0206Cxx Hollow Cap

DETAIL - 8.0

**MULTI-BOARD
SIDE ELEVATION**

**SUB-DETAIL
2AL VCUB 2.6
N.T.S**

DIMENSION LEGEND	
Millimeter (mm)	
Inches (") / Foot (')	



CONTACT	TITLE	SHEET CONTENT	
PHONE: 503-360-9551 E-MAIL: sales@hdgbuildingmaterials.com WEB: hdgbuildingmaterials.com	2CH AL - U BRACKET VERTICAL CLADDING SUB-DETAIL	MULTI-BRD SIDE ELEV.	
		DETAIL-6.0	
		DETAIL-7.0	
SPECIFICATION TYPICAL DRAWING DETAIL		DRAWING NO.	DATE
		2AL-VCUB-2.6	27.02.23
		CAD BY:	CHECKED BY: