

PERSPECTIVE

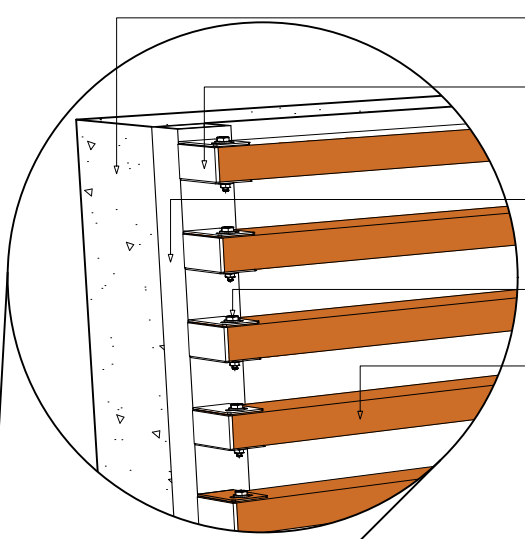
2
2AL HCUB

2CH AL HORIZONTAL CLADDING U-BRACKET

RESYSTA PROFILE WITH ALUMINUM INSERT (RESGC11223412)

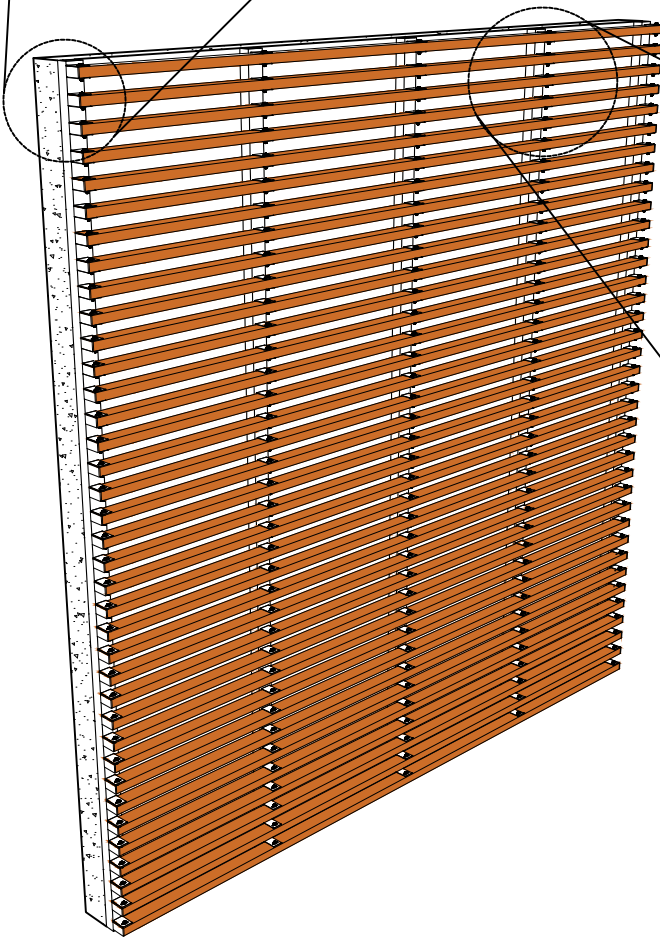


CONTACT	TITLE	SPECIFICATION	SHEET CONTENT	SHEET SIZE	DRAWING NO.
PHONE: 503-360-9551 E-MAIL: sales@hdgbuildingmaterials.com WEB: hdgbuildingmaterials.com	2CH AL - U Bracket HORIZONTAL CLADDING DETAIL	TYPICAL DRAWING DETAIL CAD BY: _____ CHECKED BY: _____	PERSPECTIVE TOP VIEW FRONT ELEVATION SIDE ELEVATION MULTI-BOARD SIDE ELEVATION	A3 DATE: 27.02.23 REVISION: 0	2AL-HCUB-2.1



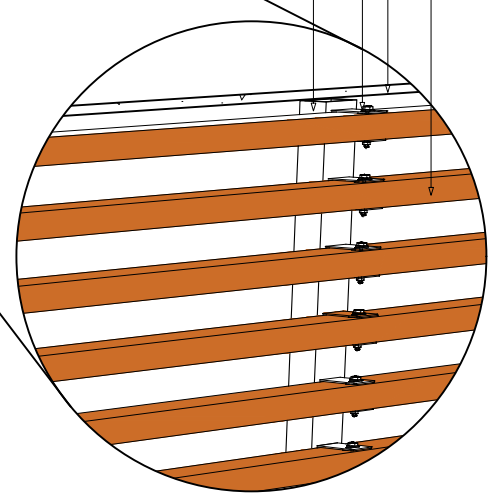
DETAIL - 2.0
MIDDLE PART

- EXISTING WALL
- RESCAP0206Cxx Hollow Cap
- SUBSTRUCTURE BY OTHERS
- RESUB112234 Aluminum U-Bracket with Bolt, washer and nut
- RESGCI11223412 Cladding (2CH)



PERSPECTIVE

- RESGCI11223412 Cladding (2CH)
- EXISTING WALL
- RESUB112234 Aluminum U-Bracket with Bolt, washer and nut
- SUBSTRUCTURE BY OTHERS



DETAIL - 1.0
END PART

SUB-DETAIL
2AL HCUB 2.2

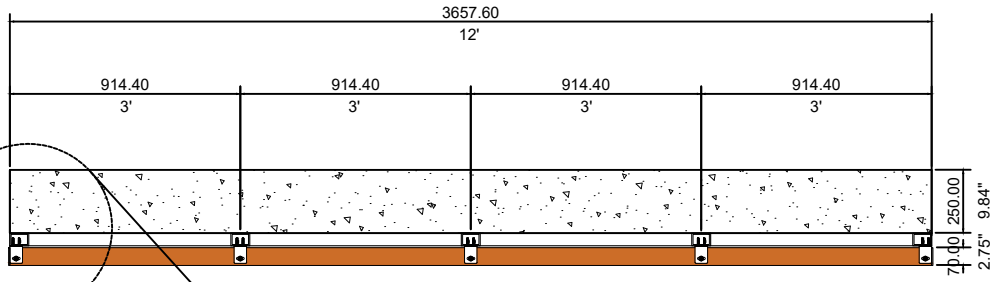
N.T.S

DIMENSION LEGEND

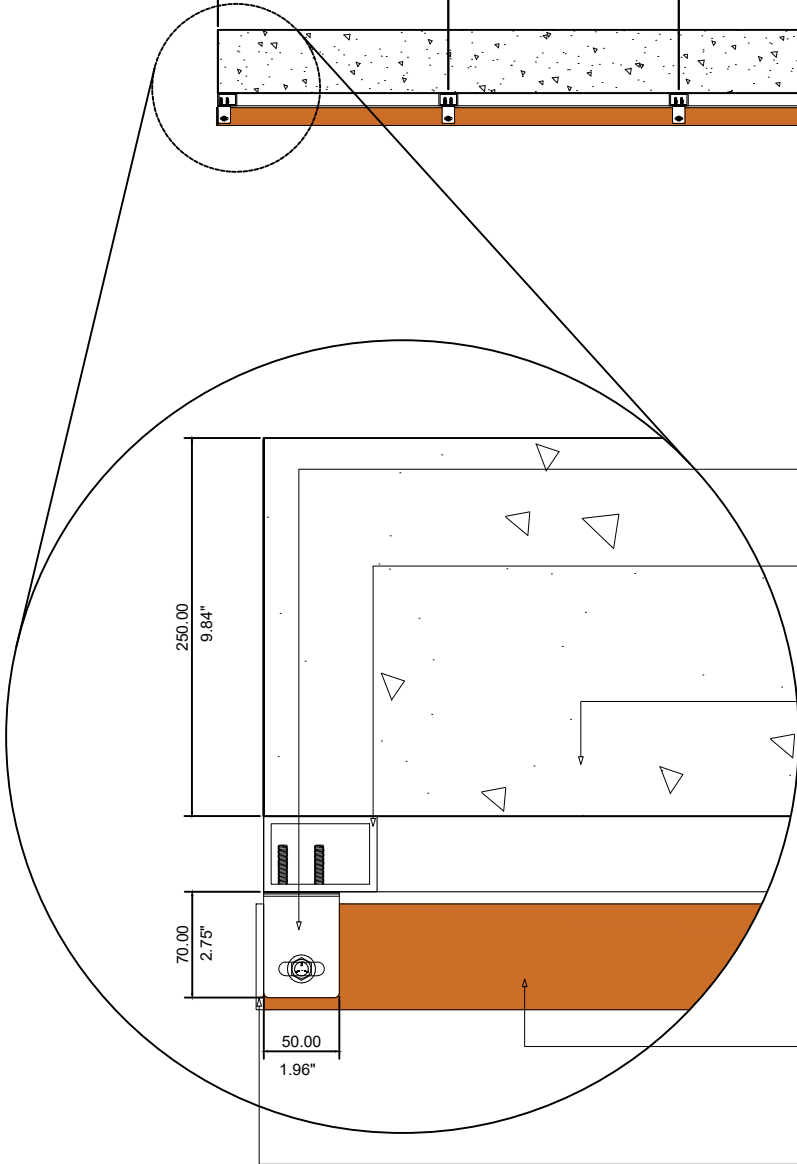
Millimeter (mm)
Inches (") / Foot (')



CONTACT PHONE: 503-360-9551 E-MAIL: sales@hdgbuildingmaterials.com WEB: hdgbuildingmaterials.com	TITLE 2CH AL - U BRACKET HORIZONTAL CLADDING SUB-DETAIL	SHEET CONTENT PERSPECTIVE DETAIL -1.0 DETAIL -2.0	
	SPECIFICATION TYPICAL DRAWING DETAIL	DRAWING NO. 2AL-HCUB-2.2	DATE 27.02.23
		CAD BY:	CHECKED BY:



TOP VIEW



RESUB112234 Aluminum U-Bracket with Bolt, washer and nut

SUBSTRUCTURE BY OTHERS

EXISTING WALL

RESGC11223412 Cladding (2CH)

RESCAP0206Cxx Hollow Cap

DETAIL - 3.0

SUB-DETAIL
2AL HCUB 2.3

N.T.S

DIMENSION LEGEND	
Millimeter (mm)	
Inches (") / Foot (')	



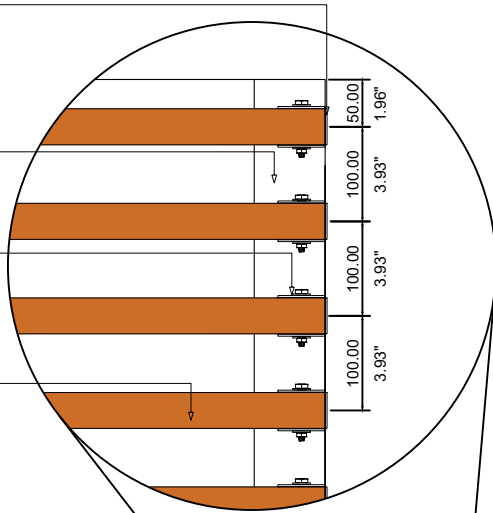
CONTACT	TITLE	SHEET CONTENT	
PHONE: 503-360-9551 E-MAIL: sales@hdgbuildingmaterials.com WEB: hdgbuildingmaterials.com	2CH AL - U BRACKET HORIZONTAL CLADDING SUB-DETAIL	TOP VIEW	
		DETAIL -3.0	
	SPECIFICATION	DRAWING NO.	DATE
	TYPICAL DRAWING DETAIL	2AL-HCUB-2.3	27.02.23
		CAD BY:	CHECKED BY:

RESCAP0206Cxx
Hollow Cap

SUBSTRUCTURE BY
OTHERS

RESUB112234 Aluminum
U-Bracket with Bolt,
washer and nut

RESGC11223412
Cladding (2CH)

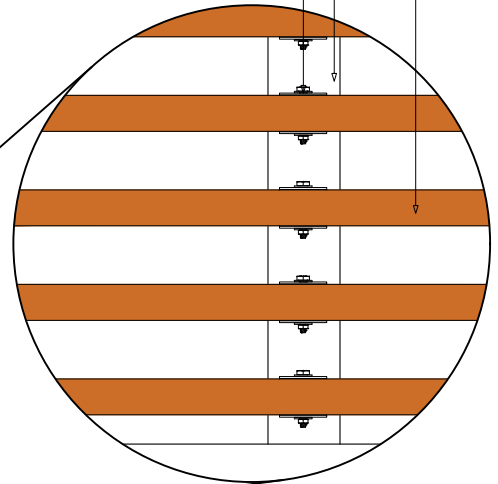


DETAIL - 4.0

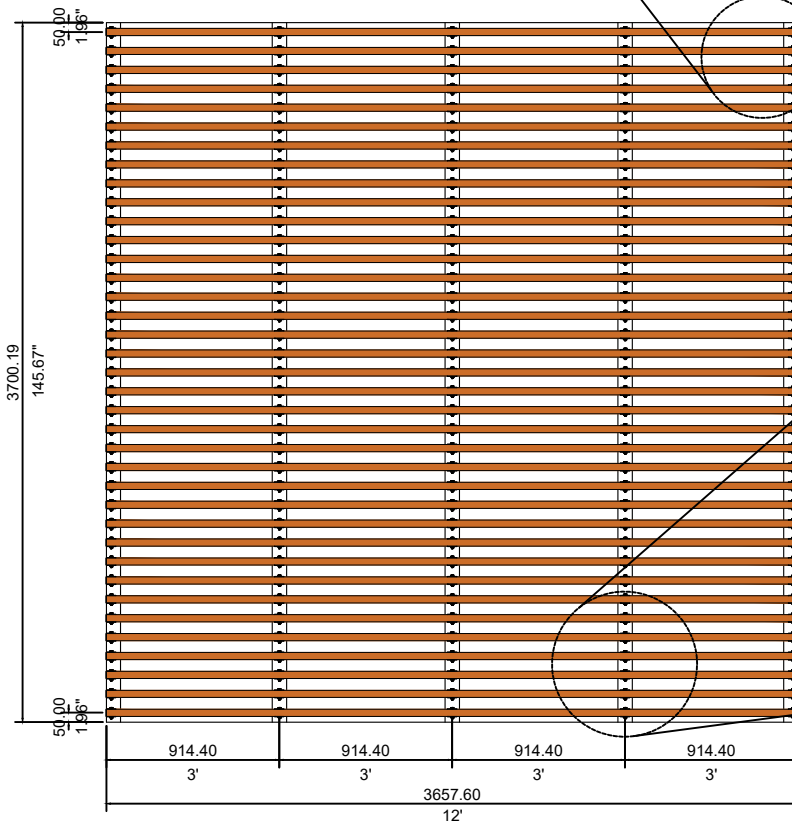
RESGC11223412
Cladding (2CH)

SUBSTRUCTURE BY
OTHERS

RESUB112234 Aluminum
U-Bracket with Bolt,
washer and nut



DETAIL - 5.0



FRONT ELEVATION

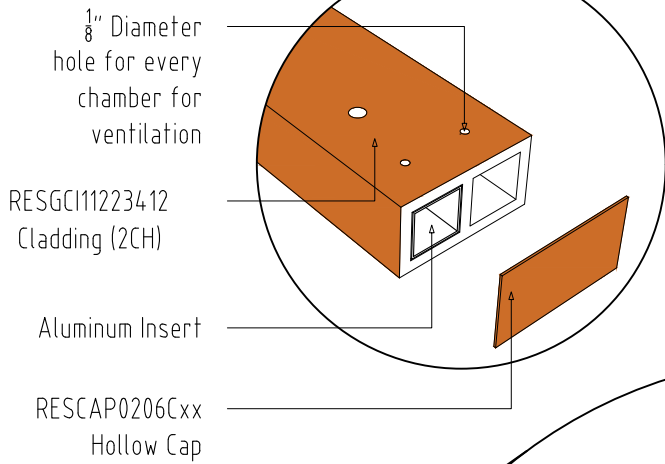
SUB-DETAIL
2AL HCUB 2.4

N.T.S

DIMENSION LEGEND	
Millimeter (mm)	
Inches (") / Foot (')	

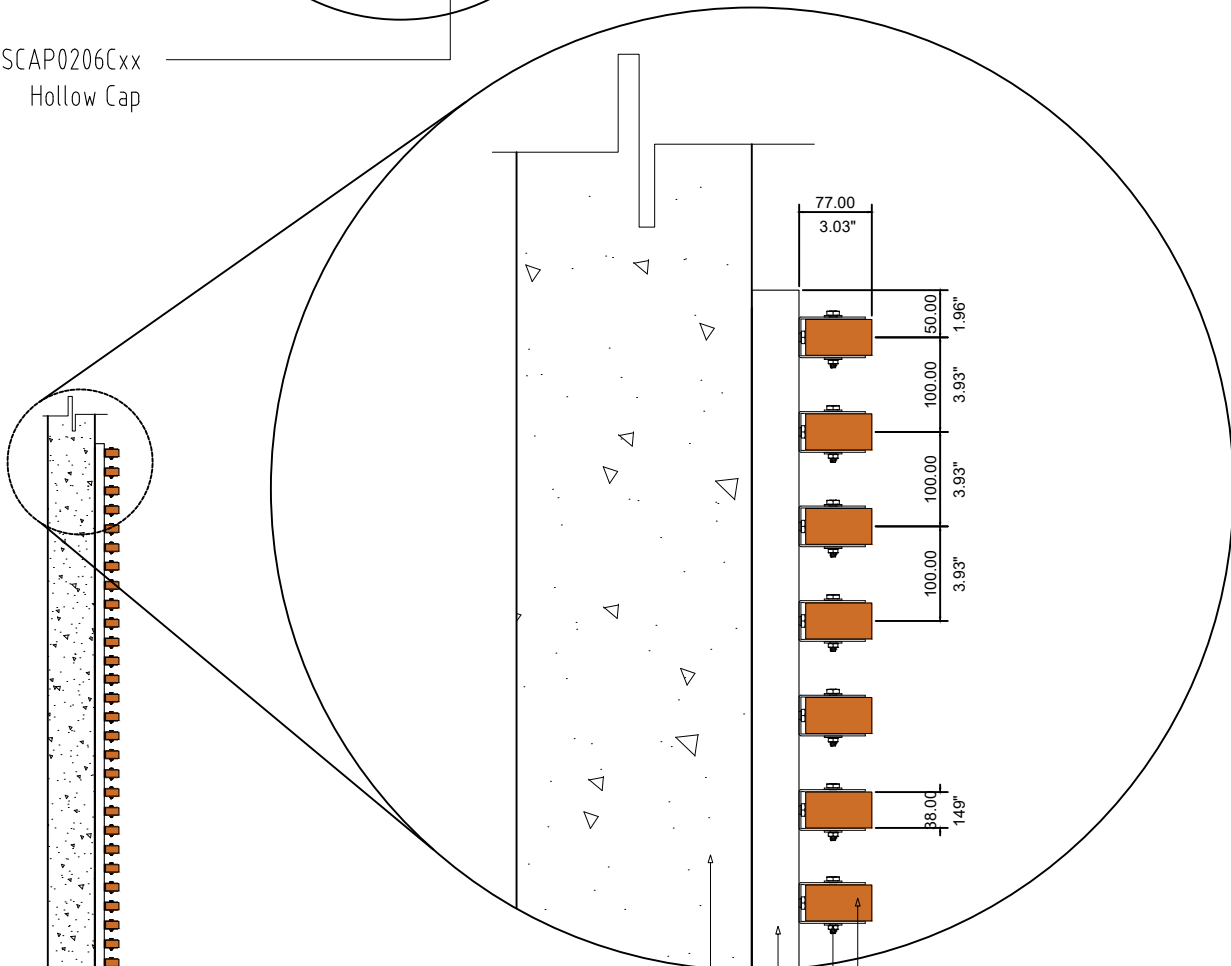


CONTACT	TITLE	SHEET CONTENT	
PHONE: 503-360-9551 E-MAIL: sales@hdgbuildingmaterials.com WEB: hdgbuildingmaterials.com	2CH AL - U BRACKET HORIZONTAL CLADDING SUB-DETAIL	FRONT ELEVATION	
		DETAIL-4.0	
		DETAIL-5.0	
	SPECIFICATION	DRAWING NO.	DATE
	TYPICAL DRAWING DETAIL	2AL-HCUB-2.4	27.02.23
		CAD BY:	CHECKED BY:



NOTE:

If applying veneer caps to both ends of the RESGC11223412 you'll need to drill a $\frac{1}{8}$ " minimum diameter hole in every chamber to allow for ventilation. The location of the holes will depend on the Clients discretion based on the actual project conditions.



SIDE ELEVATION

- EXISTING WALL
- SUBSTRUCTURE BY OTHERS
- RESUB112234 Aluminum U-Bracket with Bolt, washer and nut
- RESGC11223412 Cladding (2CH)

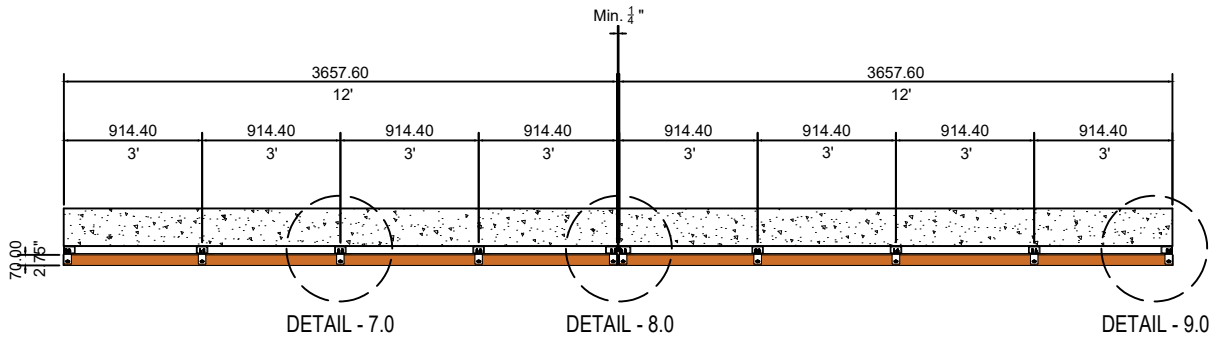
SUB-DETAIL
2AL HCUB 2.5
N.T.S

DETAIL - 6.0

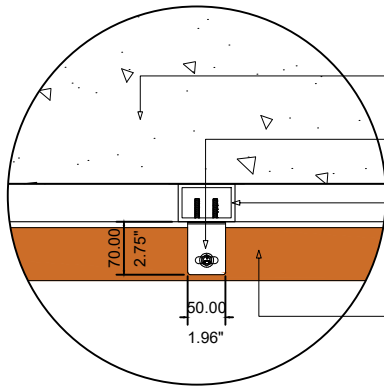
DIMENSION LEGEND	
Millimeter (mm)	
Inches (") / Foot (')	



CONTACT	TITLE	SHEET CONTENT	
PHONE: 503-360-9551 E-MAIL: sales@hdgbuildingmaterials.com WEB: hdgbuildingmaterials.com	2CH AL - U BRACKET HORIZONTAL CLADDING SUB-DETAIL	SIDE ELEVATION	
		DETAIL-6.0	
	SPECIFICATION	DRAWING NO.	DATE
	TYPICAL DRAWING DETAIL	2AL-HCUB-2.5	27.02.23
		CAD BY:	CHECKED BY:

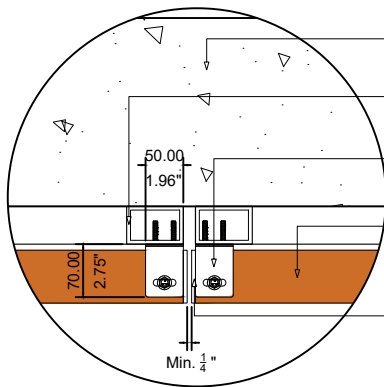


MULTI-BOARD TOP VIEW



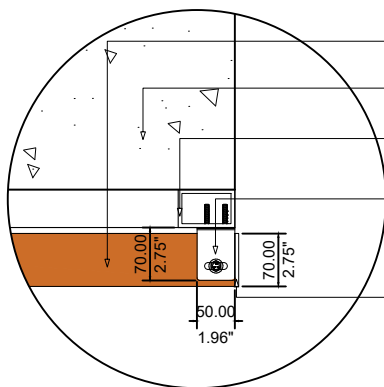
DETAIL - 7.0

- EXISTING WALL
- RESUB112234 Aluminum U-Bracket with Bolt, washer and nut
- SUBSTRUCTURE BY OTHERS
- RESGC11223412 Cladding (2CH)



DETAIL - 8.0

- EXISTING WALL
- SUBSTRUCTURE BY OTHERS
- RESUB112234 Aluminum U-Bracket with Bolt, washer and nut
- RESGC11223412 Cladding (2CH)
- RESCAP0206Cxx Hollow Cap



DETAIL - 9.0

- RESGC11223412 Cladding (2CH)
- EXISTING WALL
- SUBSTRUCTURE BY OTHERS
- RESUB112234 Aluminum U-Bracket with Bolt, washer and nut
- RESCAP0206Cxx Hollow Cap

SUB-DETAIL 2AL HCUB 2.6

N.T.S

DIMENSION LEGEND	
	Millimeter (mm)
	Inches (") / Foot (')



CONTACT	TITLE	SHEET CONTENT	
PHONE: 503-360-9551 E-MAIL: sales@hdgbuildingmaterials.com WEB: hdgbuildingmaterials.com	2CH AL - U BRACKET HORIZONTAL CLADDING SUB-DETAIL	MULTI-BRD TOP VIEW	
		DETAIL-7.0	
		DETAIL-8.0	
	SPECIFICATION	DRAWING NO.	DATE
	TYPICAL DRAWING DETAIL	2AL-HCUB-2.6	27.02.23
		CAD BY:	CHECKED BY: