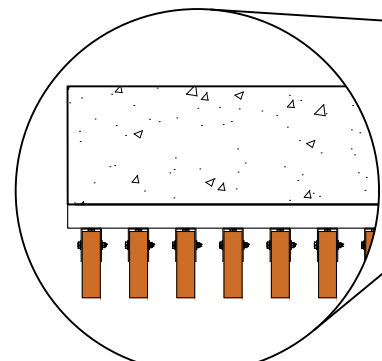
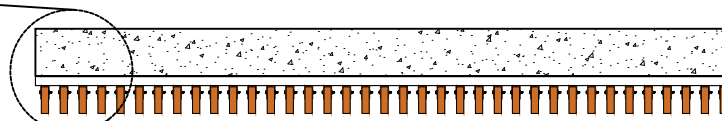


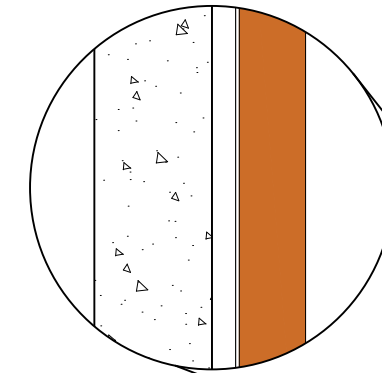
DETAIL-1.0



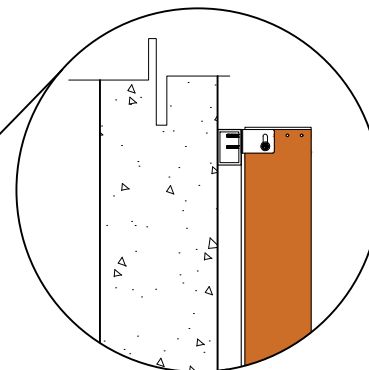
DETAIL-3.0



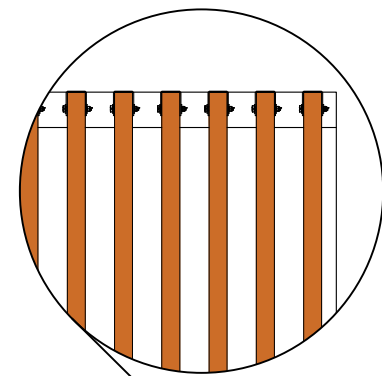
TOP VIEW



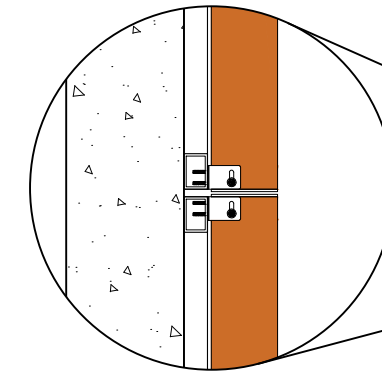
DETAIL-6.0



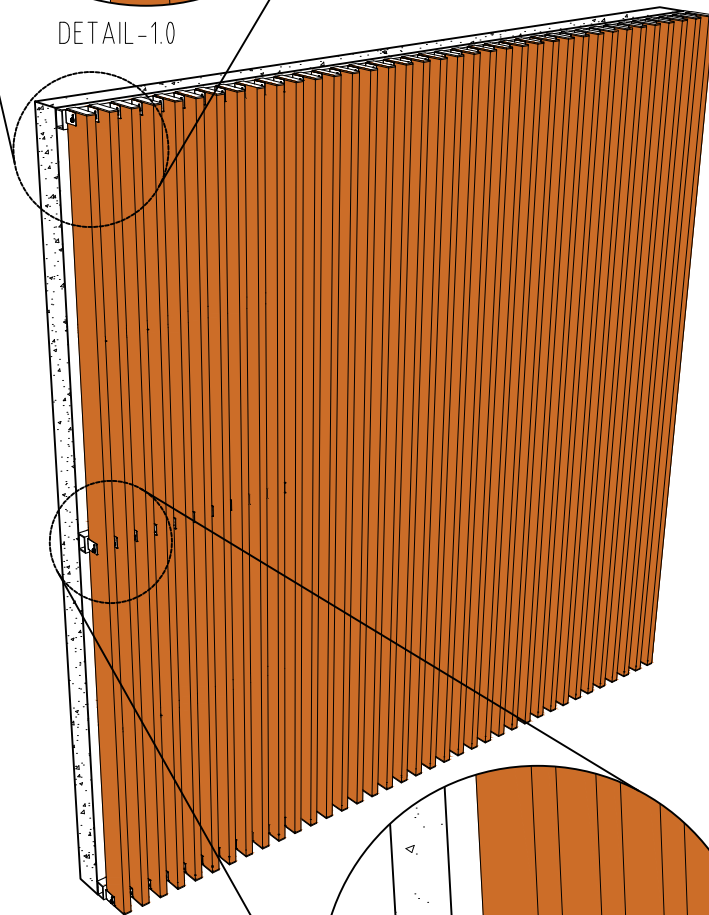
DETAIL-5.0



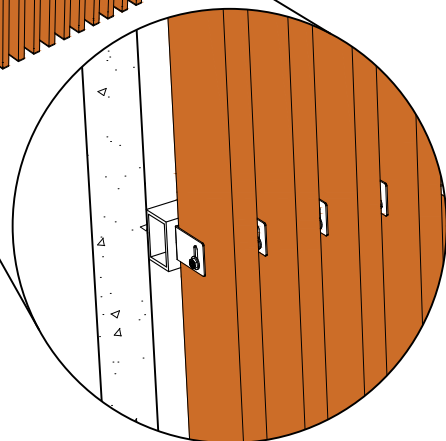
DETAIL-4.0



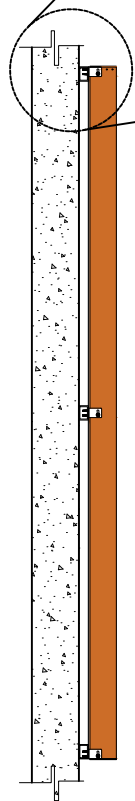
DETAIL-7.0



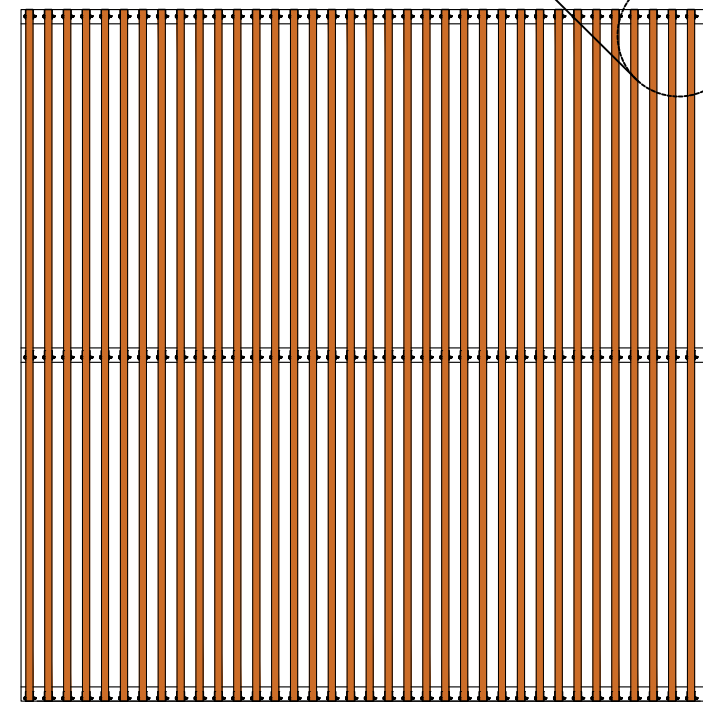
PERSPECTIVE



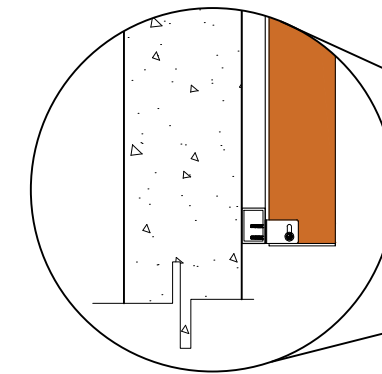
DETAIL-2.0



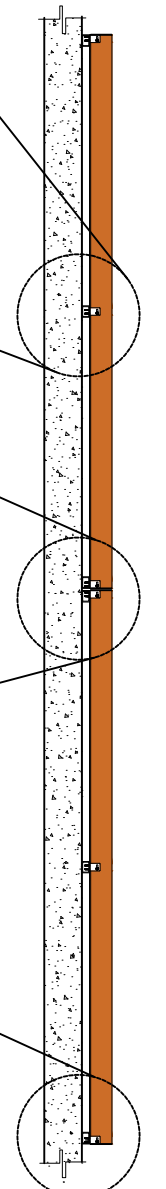
SIDE ELEVATION



FRONT ELEVATION



DETAIL-8.0



MULTI-BOARD  
SIDE ELEVATION

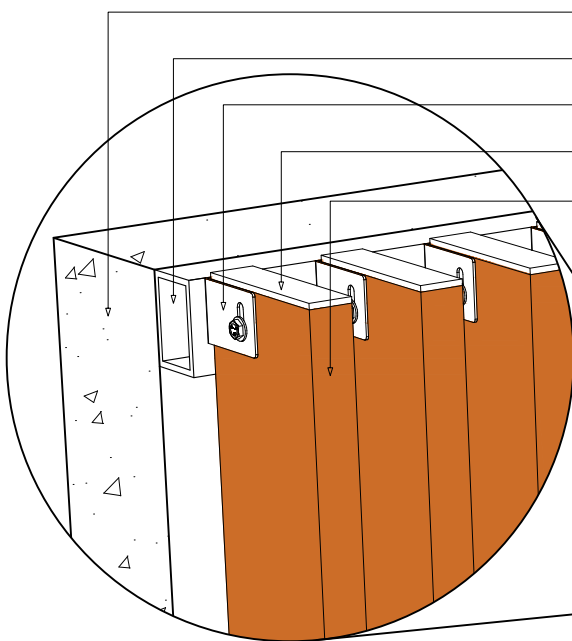
2  
4AL VCUB

4CH AL VERTICAL CLADDING U-BRACKET

RESYSTA PROFILE WITH ALUMINUM INSERT (RESGCI020612N)

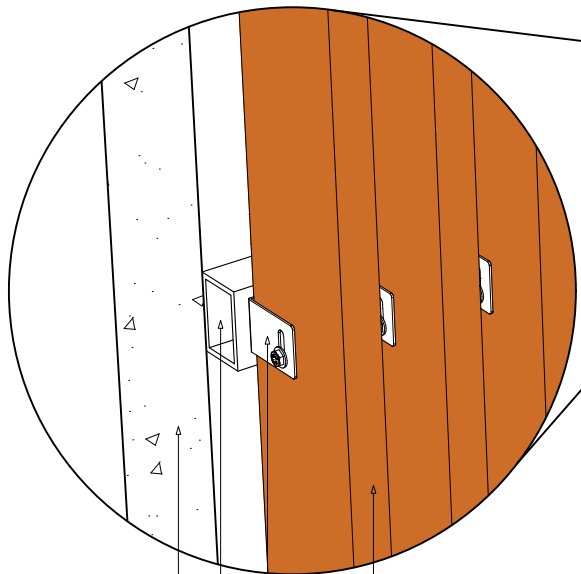


CONTACT	TITLE	SPECIFICATION	SHEET CONTENT	SHEET SIZE	DRAWING NO.
PHONE: 503-360-9551	4CH AL - U Bracket VERTICAL CLADDING DETAIL	TYPICAL DRAWING DETAIL	PERSPECTIVE	A3	4AL-VCUB-2.1
E-MAIL: sales@hdgbuildingmaterials.com			TOP VIEW		
WEB: hdgbuildingmaterials.com			FRONT ELEVATION	DATE	REVISION
			SIDE ELEVATION	27.02.23	0
			MULTI-BOARD SIDE ELEVATION		



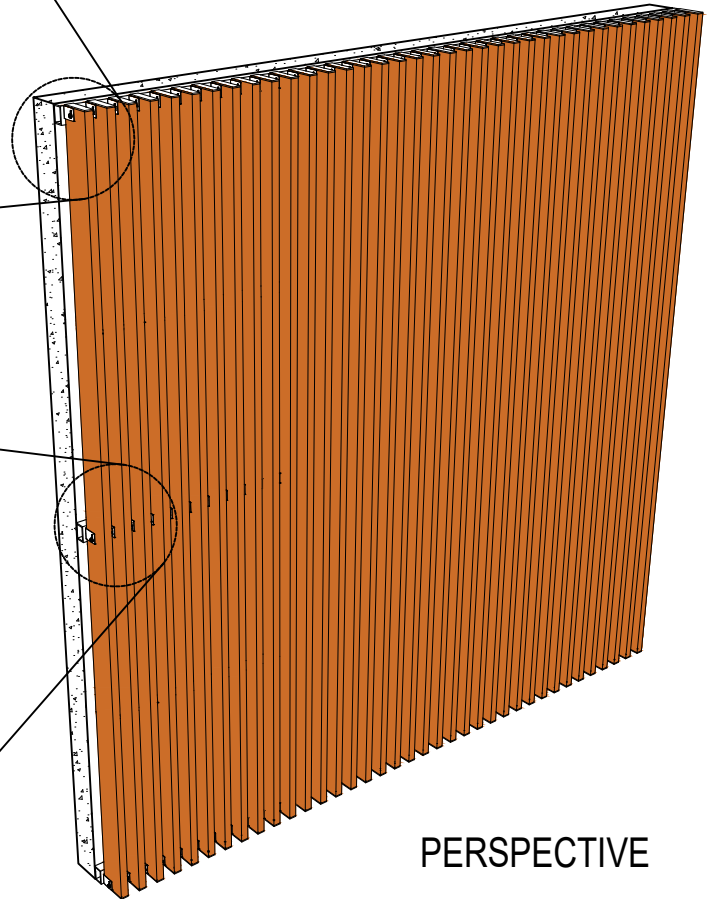
**DETAIL - 1.0**  
END PART

- EXISTING WALL
- SUBSTRUCTURE BY OTHERS
- RESUB112234 Aluminum U-Bracket with Bolt, washer and nut
- RESCAP0206Cxx Hollow Cap
- RESGCI020612N Cladding (4CH)



**DETAIL - 2.0**  
MIDDLE PART

- RESGCI020612N Cladding (4CH)
- RESUB112234 Aluminum U-Bracket with Bolt, washer and nut
- SUBSTRUCTURE BY OTHERS
- EXISTING WALL



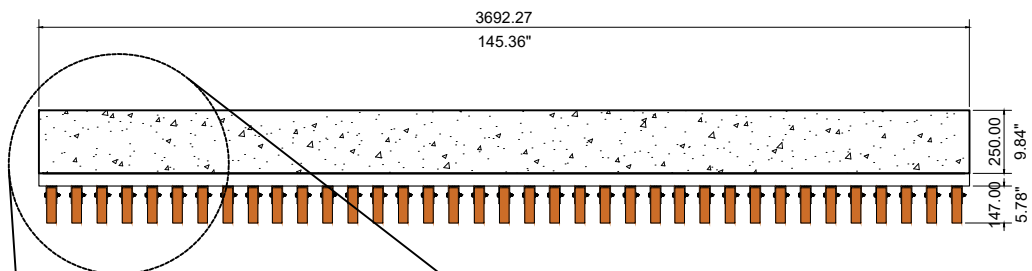
**PERSPECTIVE**

**SUB-DETAIL**  
**4AL - VCUB 2.2**  
N.T.S

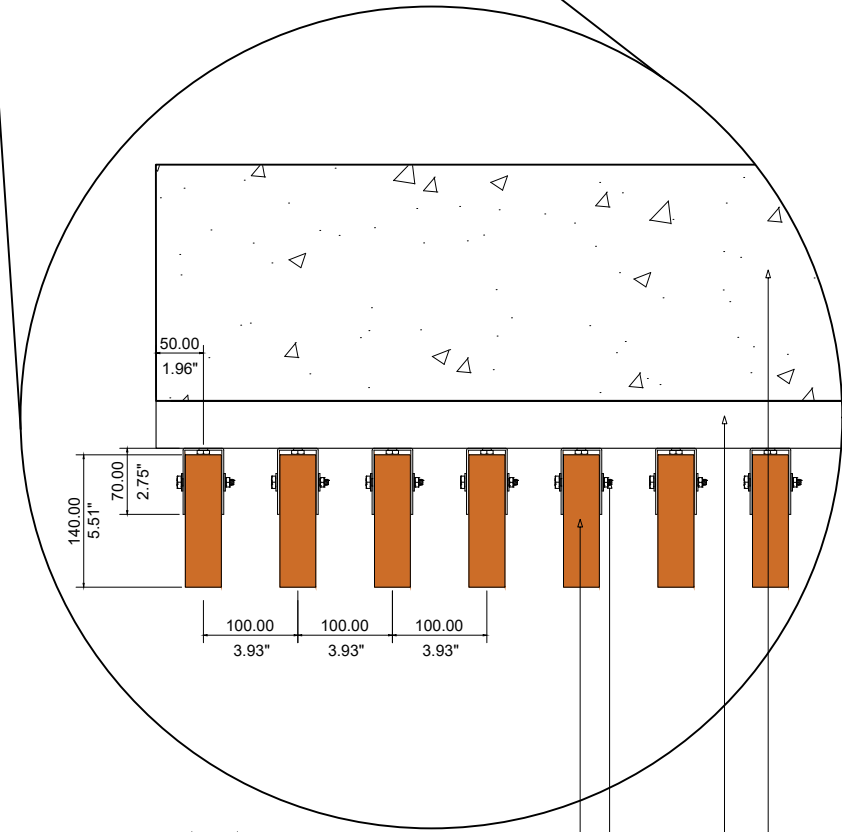
DIMENSION LEGEND	
	Millimeter (mm)
	Inches (") / Foot (')



CONTACT	TITLE	SHEET CONTENT	
PHONE: 503-360-9551  E-MAIL: sales@hdgbuildingmaterials.com  WEB: hdgbuildingmaterials.com	4CH AL - U BRACKET <b>VERTICAL CLADDING</b> SUB-DETAIL	PERSPECTIVE	
		DETAIL - 1.0	
DETAIL - 2.0			
	SPECIFICATION	DRAWING NO.	DATE
	TYPICAL DRAWING DETAIL	4AL-VCUB-2.2	27.02.23
		CAD BY:	CHECKED BY:



TOP VIEW



- RESGCI020612N Cladding (4CH)
- RESUB112234 Aluminum U-Bracket with Bolt, washer and nut
- SUBSTRUCTURE BY OTHERS
- EXISTING WALL

DETAIL - 3.0

**SUB-DETAIL**  
4AL - VCUB 2.3

N.T.S

DIMENSION LEGEND	
Millimeter (mm)	
Inches (") / Foot (')	



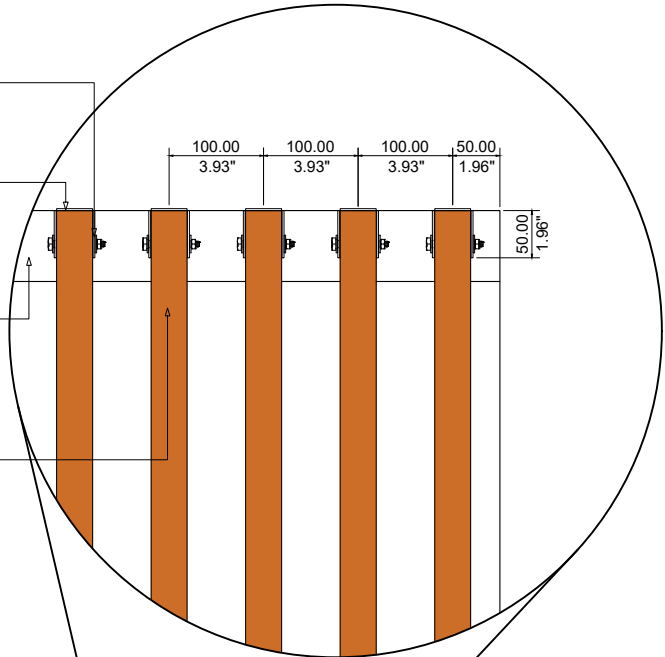
CONTACT	TITLE	SHEET CONTENT	
PHONE: 503-360-9551  E-MAIL: sales@hdgbuildingmaterials.com  WEB: hdgbuildingmaterials.com	4CH AL - U BRACKET <b>VERTICAL CLADDING</b> SUB-DETAIL	TOP VIEW	
		DETAIL -3.0	
	SPECIFICATION	DRAWING NO.	DATE
	TYPICAL DRAWING DETAIL	4AL-VCUB-2.3	27.02.23
		CAD BY:	CHECKED BY:

RESUB112234 Aluminum U-Bracket  
with Bolt, washer and nut

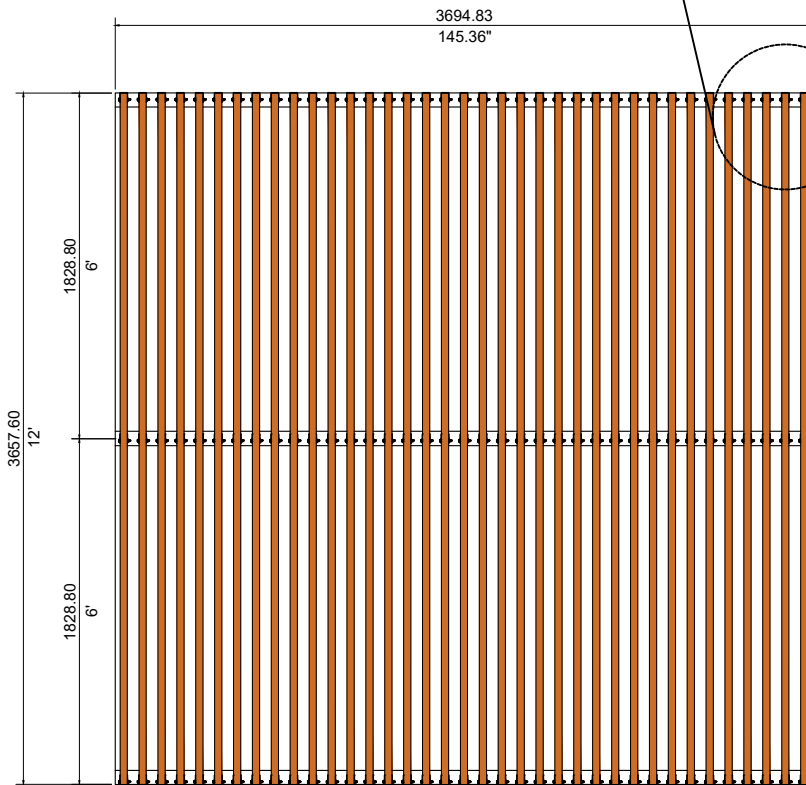
RESCAP0206Cxx Hollow Cap

SUBSTRUCTURE BY OTHERS

RESGCI020612N Cladding (4CH)



DETAIL - 4.0



FRONT ELEVATION

**SUB-DETAIL**

4AL - VCUB 2.4

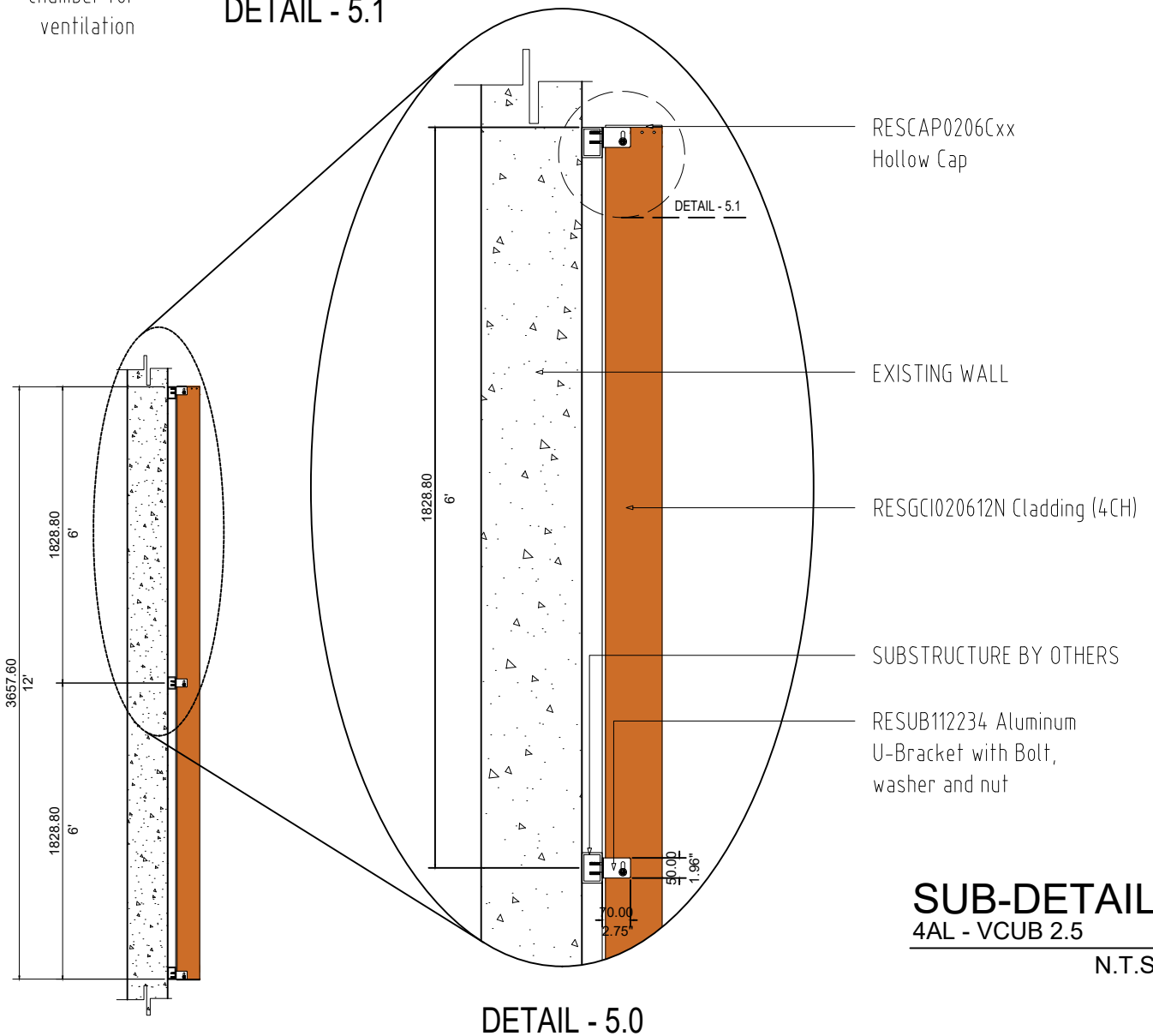
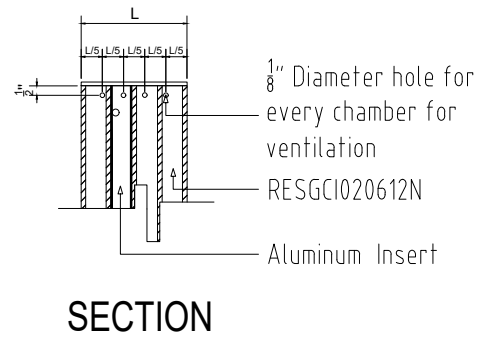
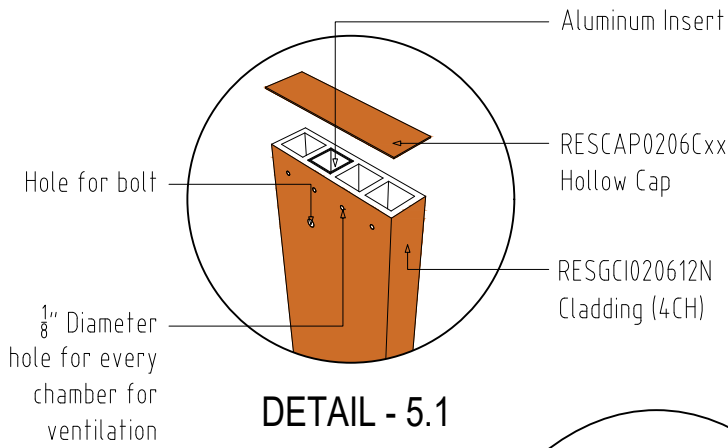
N.T.S

DIMENSION LEGEND

Millimeter (mm)
Inches (") / Foot (')



CONTACT	TITLE	SHEET CONTENT	
PHONE: 503-360-9551  E-MAIL: sales@hdgbuildingmaterials.com  WEB: hdgbuildingmaterials.com	4CH AL - U BRACKET <b>VERTICAL CLADDING</b> SUB-DETAIL	FRONT ELEVATION	
		DETAIL - 4.0	
	SPECIFICATION	DRAWING NO.	DATE
	TYPICAL DRAWING DETAIL	4AL-VCUB-2.4	27.02.23
		CAD BY:	CHECKED BY:



**SUB-DETAIL**  
4AL - VCUB 2.5

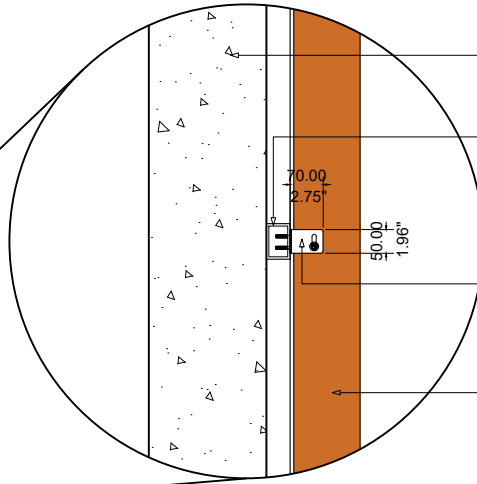
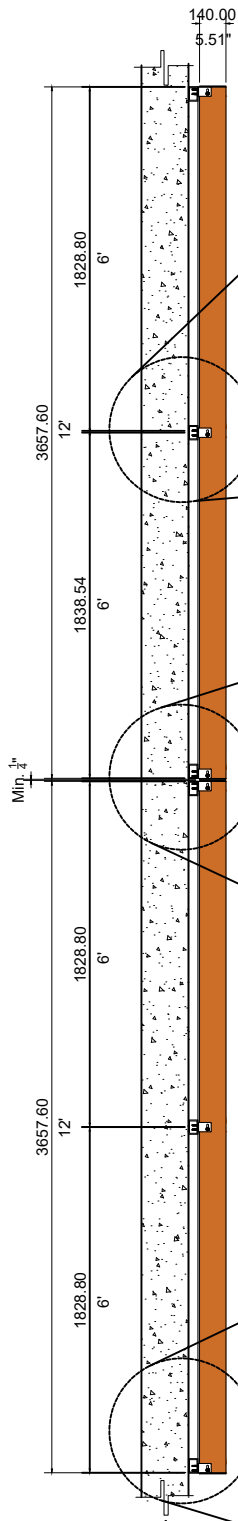
N.T.S

**SIDE ELEVATION**

DIMENSION LEGEND	
Millimeter (mm)	
Inches (") / Foot (')	

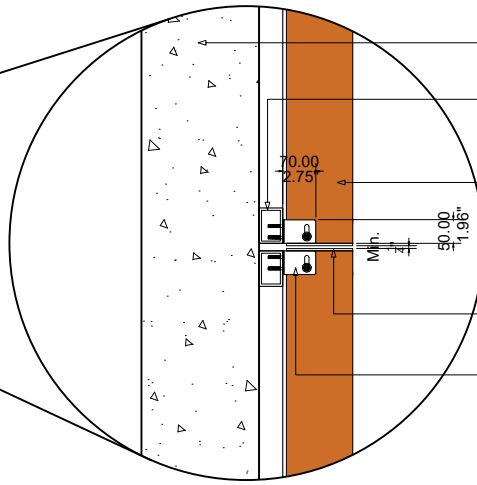


CONTACT	TITLE	SHEET CONTENT		
PHONE: 503-360-9551  E-MAIL: sales@hdgbuildingmaterials.com  WEB: hdgbuildingmaterials.com	4CH AL - U BRACKET <b>VERTICAL CLADDING</b> SUB-DETAIL	SIDE ELEVATION		
		DETAIL-5.0		
		DETAIL-5.1		
SPECIFICATION  TYPICAL DRAWING DETAIL		SECTION		
		DRAWING NO.		DATE
		4AL-VCUB-2.5		27.02.23
		CAD BY:	CHECKED BY:	



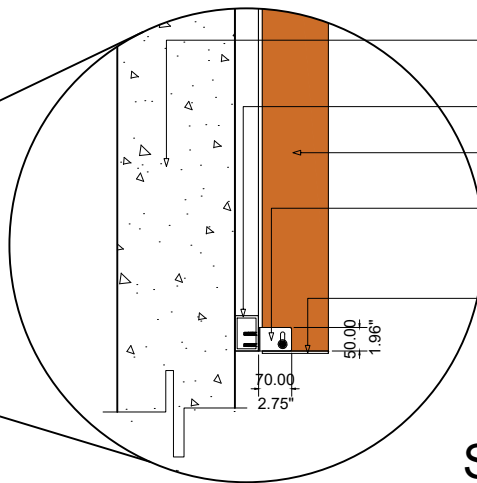
- EXISTING WALL
- SUBSTRUCTURE BY OTHERS
- 70.00  
2.75"
- 50.00  
1.96"
- RESUB112234 Aluminum U-Bracket with Bolt, washer and nut
- RESGCI020612N Cladding (4CH)

**DETAIL - 6.0**



- EXISTING WALL
- SUBSTRUCTURE BY OTHERS
- 70.00  
2.75"
- 50.00  
1.96"
- RESGCI020612N Cladding (4CH)
- RESCAP0206Cxx Hollow Cap
- RESUB112234 Aluminum U-Bracket with Bolt, washer and nut

**DETAIL - 7.0**



- EXISTING WALL
- SUBSTRUCTURE BY OTHERS
- 70.00  
2.75"
- 50.00  
1.96"
- RESGCI020612N Cladding (4CH)
- RESUB112234 Aluminum U-Bracket with Bolt, washer and nut
- RESCAP0206Cxx Hollow Cap

**DETAIL - 8.0**

**MULTI-BOARD  
SIDE ELEVATION**

**SUB-DETAIL**  
4AL - VCUB 2.6

N.T.S

DIMENSION LEGEND	
Millimeter (mm)	
Inches (") / Foot (')	



<b>CONTACT</b>  PHONE: 503-360-9551  E-MAIL: sales@hdgbuildingmaterials.com  WEB: hdgbuildingmaterials.com	<b>TITLE</b>  4CH AL - U BRACKET <b>VERTICAL CLADDING</b> SUB-DETAIL	<b>SHEET CONTENT</b> MULTI-BRD SIDE ELEV. DETAIL-6.0 DETAIL-7.0 DETAIL-8.0	
	<b>SPECIFICATION</b>  TYPICAL DRAWING DETAIL	<b>DRAWING NO.</b> 4AL-VCUB-2.6  <b>CAD BY:</b>	<b>DATE</b> 27.02.23  <b>CHECKED BY:</b>