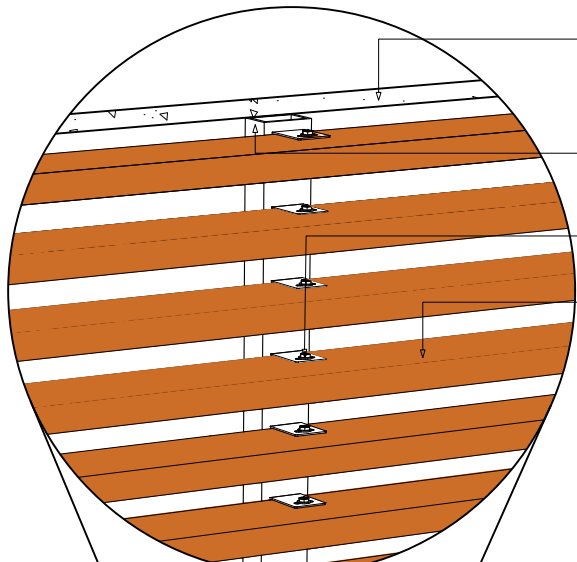


1 **4CH HORIZONTAL CLADDING U-BRACKET**
4HCUB RESYSTA PROFILE WITHOUT ALUMINUM INSERT (RESGC020612)

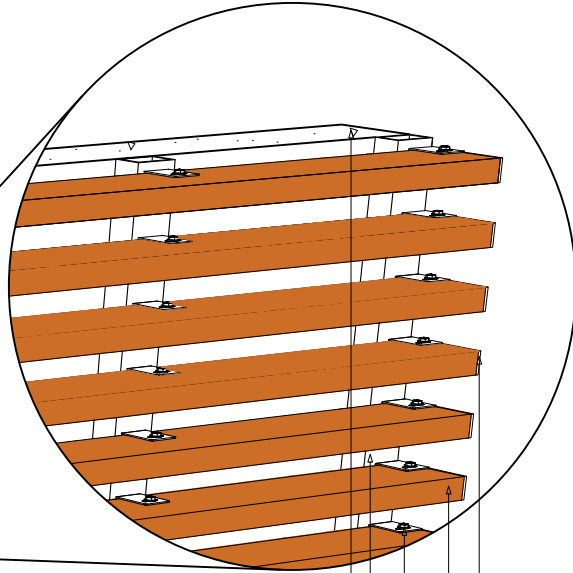


CONTACT	TITLE	SPECIFICATION	SHEET CONTENT	SHEET SIZE	DRAWING NO.
PHONE: 503-360-9551 E-MAIL: sales@hdgbuildingmaterials.com WEB: hdgbuildingmaterials.com	4CH - U Bracket HORIZONTAL CLADDING DETAIL	TYPICAL DRAWING DETAIL CAD BY: _____ CHECKED BY: _____	PERSPECTIVE TOP VIEW FRONT ELEVATION SIDE ELEVATION MULTI-BOARD SIDE ELEVATION	A3 DATE: 27.02.23	4HCUB-1.1 REVISION: 0



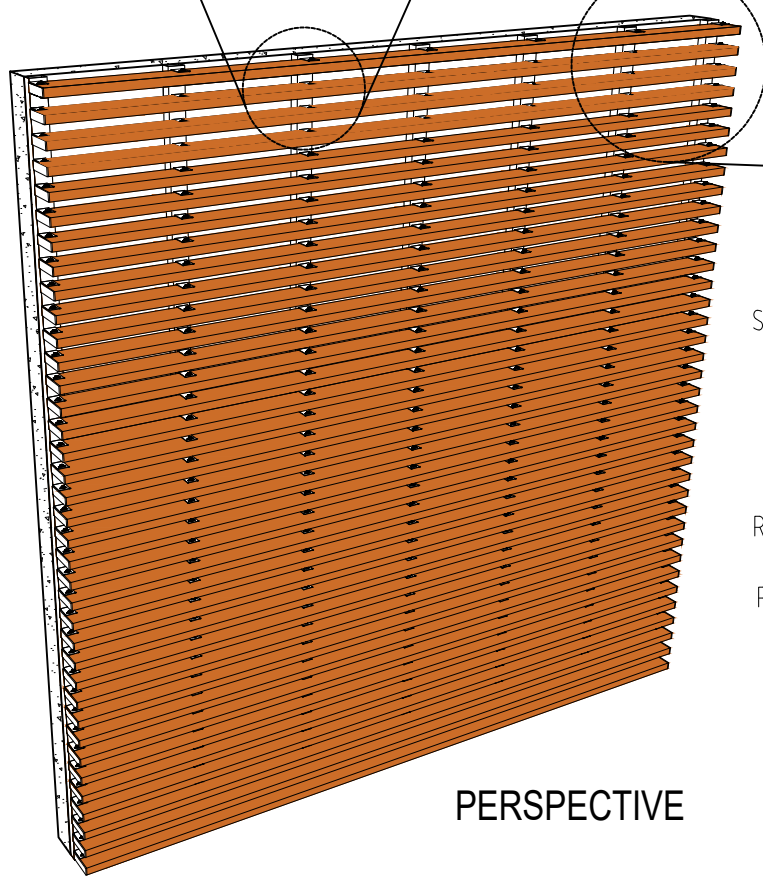
DETAIL - 2.0
MIDDLE PART

- EXISTING WALL
- SUBSTRUCTURE BY OTHERS
- RESUB112234 Aluminum U-Bracket with Bolt, washer and nut
- RESGC020612 Cladding (4CH)



- EXISTING WALL
- SUBSTRUCTURE BY OTHERS
- RESUB112234 Aluminum U-Bracket with Bolt, washer and nut
- RESGC020612 Cladding (4CH)
- RESCAP0206Cxx Hollow Cap

DETAIL - 1.0
END PART



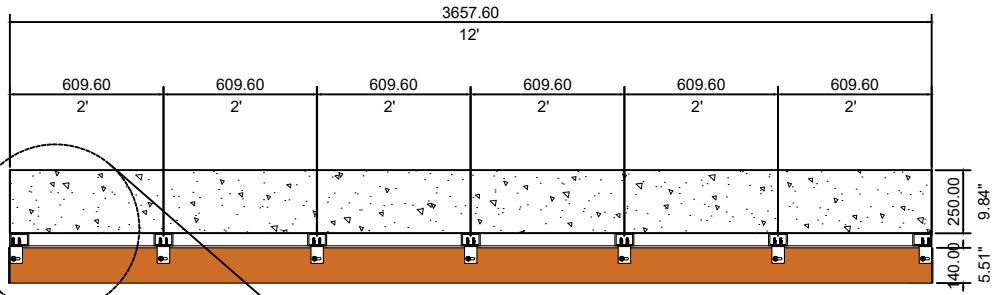
PERSPECTIVE

SUB-DETAIL
4HCUB 1.2
N.T.S

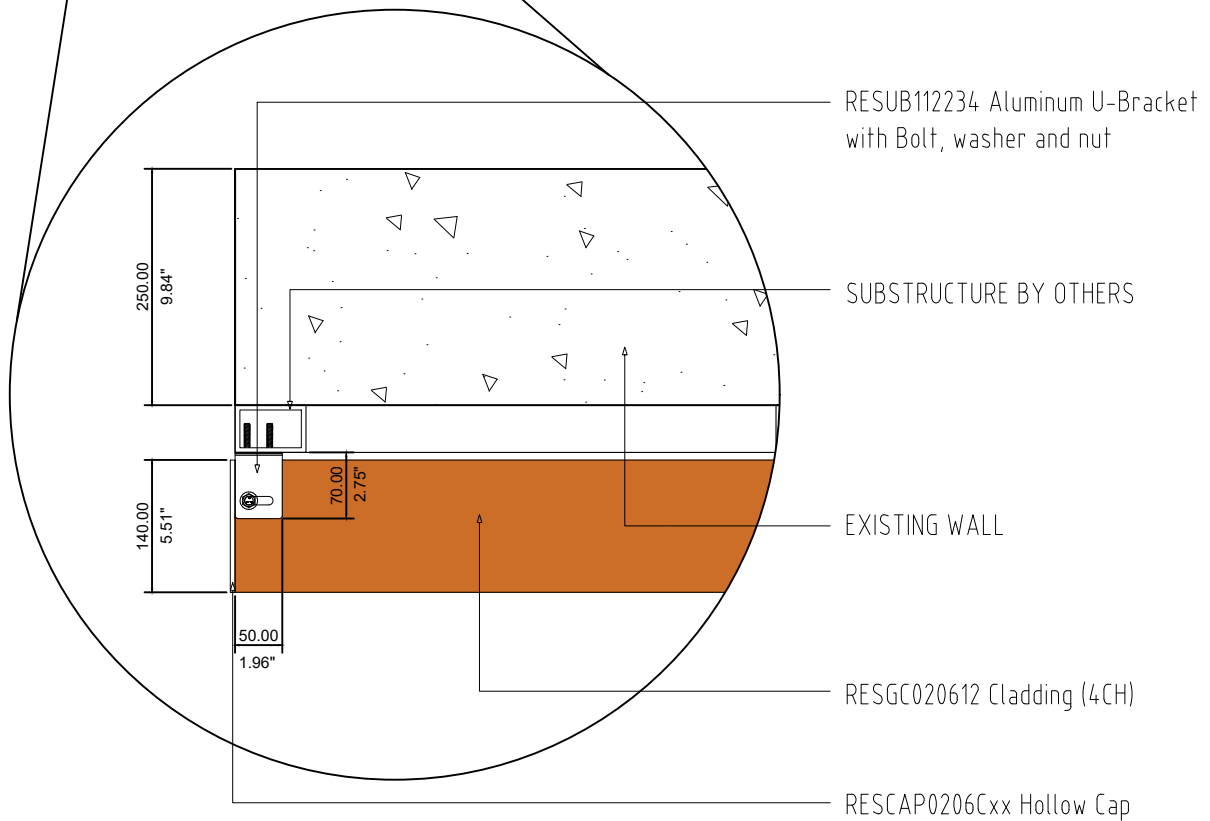
DIMENSION LEGEND	
Millimeter (mm)	
Inches (") / Foot (')	



CONTACT	TITLE	SHEET CONTENT	
PHONE: 503-360-9551 E-MAIL: sales@hdgbuildingmaterials.com WEB: hdgbuildingmaterials.com	4CH - U BRACKET HORIZONTAL CLADDING SUB-DETAIL	PERSPECTIVE	
		DETAIL - 1.0	
		DETAIL - 2.0	
	SPECIFICATION	DRAWING NO.	DATE
	TYPICAL DRAWING DETAIL	4HCUB-12	27.02.23
		CAD BY:	CHECKED BY:



TOP VIEW



DETAIL - 3.0

SUB-DETAIL
4HCUB 1.3

N.T.S

DIMENSION LEGEND

Millimeter (mm)
Inches (") / Foot (')



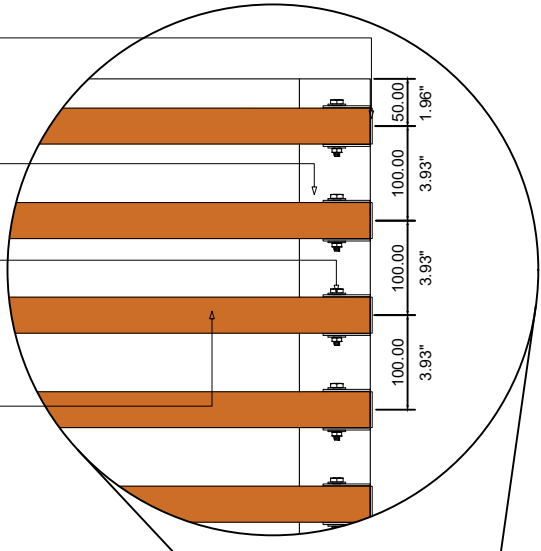
CONTACT PHONE: 503-360-9551 E-MAIL: sales@hdgbuildingmaterials.com WEB: hdgbuildingmaterials.com	TITLE 4CH - U BRACKET HORIZONTAL CLADDING SUB-DETAIL	SHEET CONTENT TOP VIEW DETAIL -3.0	
	SPECIFICATION TYPICAL DRAWING DETAIL	DRAWING NO. 4HCUB-13	DATE 27.02.23
		CAD BY:	CHECKED BY:

RESCAP0206Cxx
Hollow Cap

SUBSTRUCTURE BY
OTHERS

RESUB112234 Aluminum
U-Bracket with Bolt,
washer and nut

RESGC020612
Cladding (4CH)

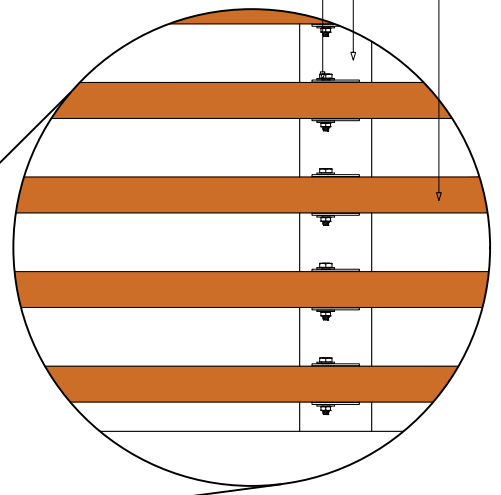


DETAIL - 4.0

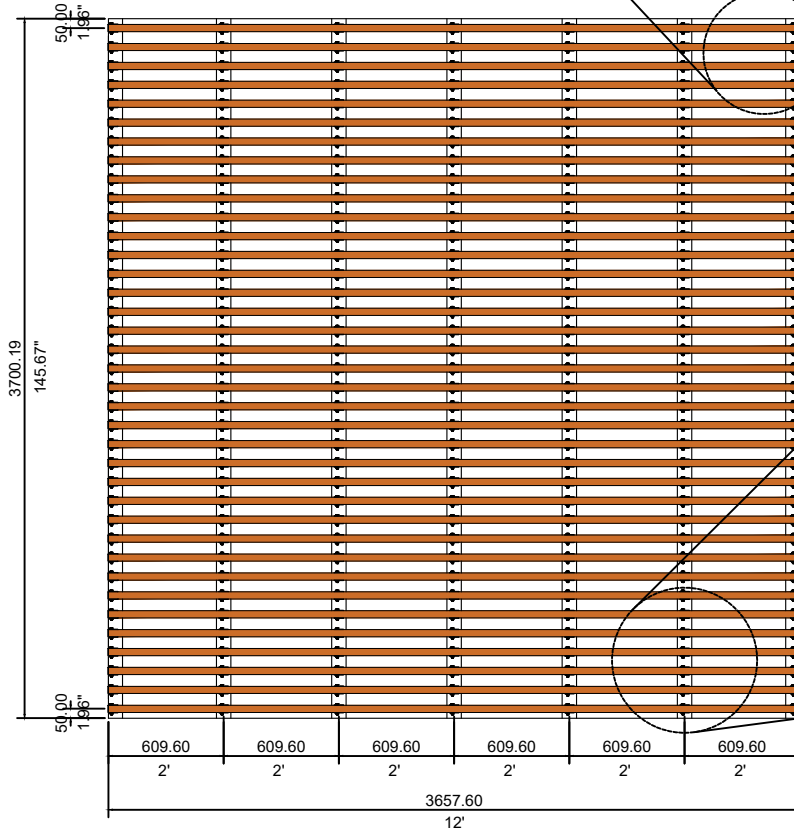
RESGC020612
Cladding (4CH)

SUBSTRUCTURE BY
OTHERS

RESUB112234
Aluminum U-Bracket
with Bolt, washer
and nut



DETAIL - 5.0



FRONT ELEVATION

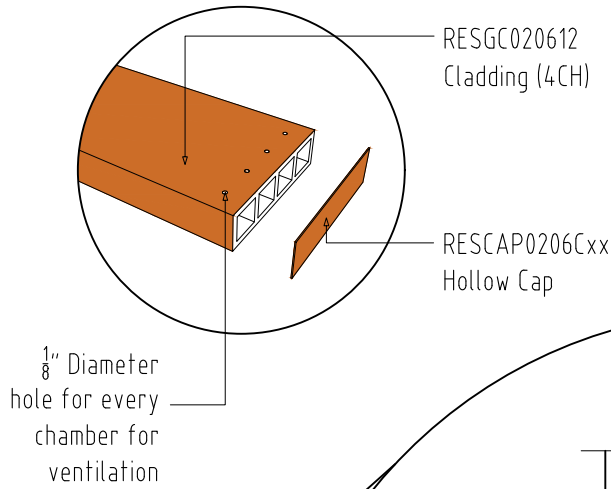
SUB-DETAIL
4HCUB 1.4

N.T.S

DIMENSION LEGEND	
Millimeter (mm)	
Inches (") / Foot (')	

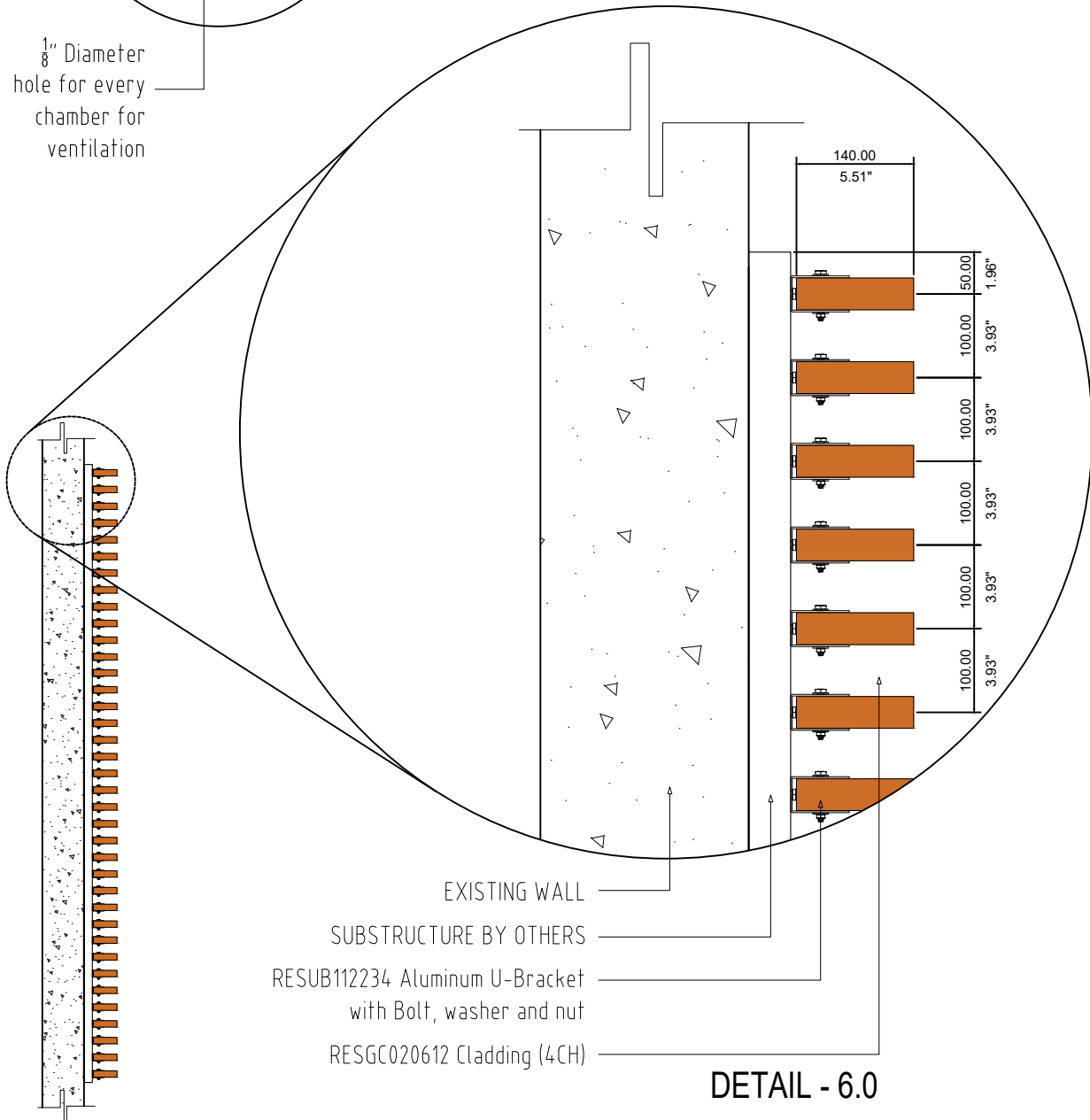


CONTACT	TITLE	SHEET CONTENT	
PHONE: 503-360-9551 E-MAIL: sales@hdgbuildingmaterials.com WEB: hdgbuildingmaterials.com	4CH - U BRACKET HORIZONTAL CLADDING SUB-DETAIL	FRONT ELEVATION	
		DETAIL-4.0	
		DETAIL-5.0	
	SPECIFICATION	DRAWING NO.	DATE
	TYPICAL DRAWING DETAIL	4HCUB-1.4	27.02.23
		CAD BY:	CHECKED BY:



NOTE:

If applying veneer caps to both ends of the RESGC020612 you'll need to drill a 1/8" minimum diameter hole in every chamber to allow for ventilation. The location of the holes will depend on the Clients discretion based on the actual project conditions.



SIDE ELEVATION

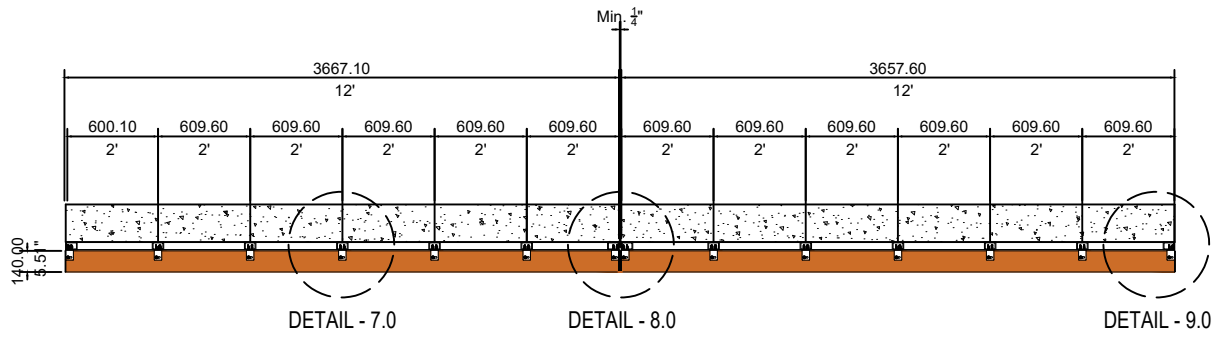
SUB-DETAIL
4HCUB 1.5

N.T.S

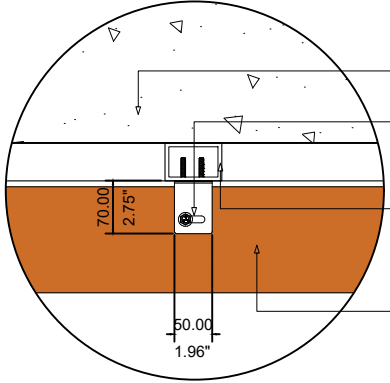
DIMENSION LEGEND	
Millimeter (mm)	
Inches (") / Foot (')	



CONTACT	TITLE	SHEET CONTENT	
PHONE: 503-360-9551 E-MAIL: sales@hdgbuildingmaterials.com WEB: hdgbuildingmaterials.com	4CH - U BRACKET HORIZONTAL CLADDING SUB-DETAIL	SIDE ELEVATION	
		DETAIL-6.0	
	SPECIFICATION	DRAWING NO.	DATE
	TYPICAL DRAWING DETAIL	4HCUB-15	27.02.23
		CAD BY:	CHECKED BY:

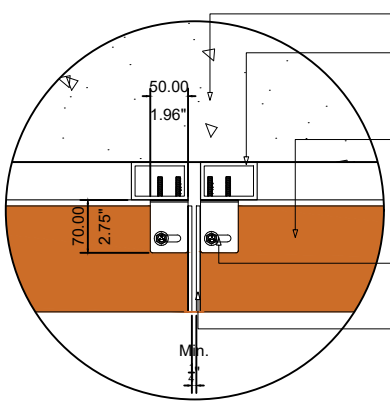


MULTI - BOARD TOP VIEW



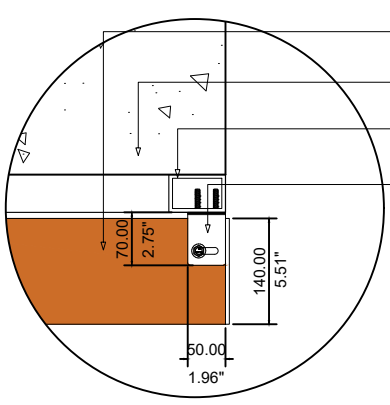
- EXISTING WALL
- RESUB112234 Aluminum U-Bracket with Bolt, washer and nut
- SUBSTRUCTURE BY OTHERS
- RESGC020612 Cladding (4CH)

DETAIL - 7.0



- EXISTING WALL
- SUBSTRUCTURE BY OTHERS
- RESGC020612 Cladding (4CH)
- RESUB112234 Aluminum U-Bracket with Bolt, washer and nut
- RESCAP0206Cxx Hollow Cap

DETAIL - 8.0



- RESGC020612 Cladding (4CH)
- EXISTING WALL
- SUBSTRUCTURE BY OTHERS
- RESUB112234 Aluminum U-Bracket with Bolt, washer and nut

DETAIL - 9.0

SUB-DETAIL
4HCUB 1.6
N.T.S

DIMENSION LEGEND	
Millimeter (mm)	
Inches (") / Foot (')	



CONTACT	TITLE	SHEET CONTENT	
PHONE: 503-360-9551 E-MAIL: sales@hdgbuildingmaterials.com WEB: hdgbuildingmaterials.com	4CH - U BRACKET HORIZONTAL CLADDING SUB-DETAIL	MULTI-BRD TOP VIEW	
		DETAIL-7.0	
		DETAIL-8.0	
	SPECIFICATION	DRAWING NO.	DATE
	TYPICAL DRAWING DETAIL	4HCUB-16	27.02.23
		CAD BY:	CHECKED BY: