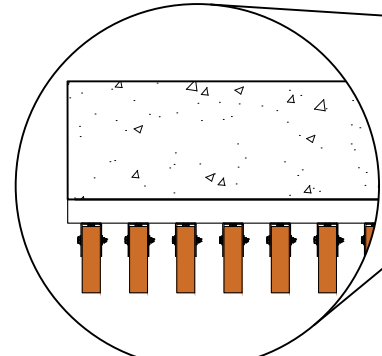
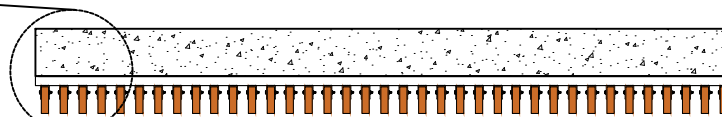


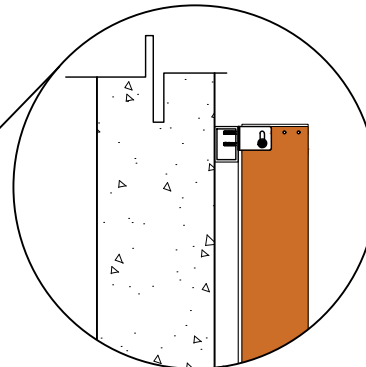
DETAIL-1.0



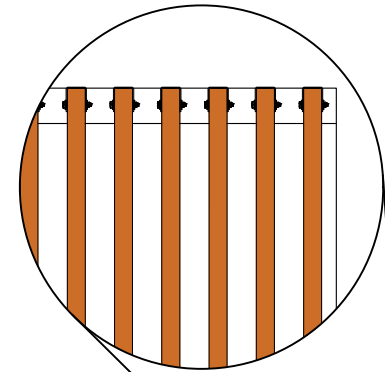
DETAIL-3.0



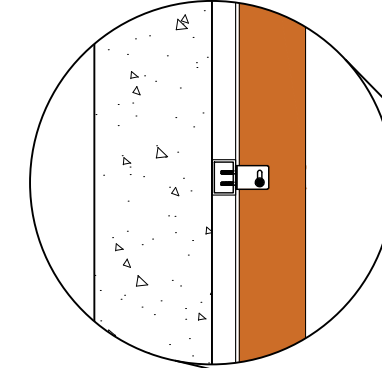
TOP VIEW



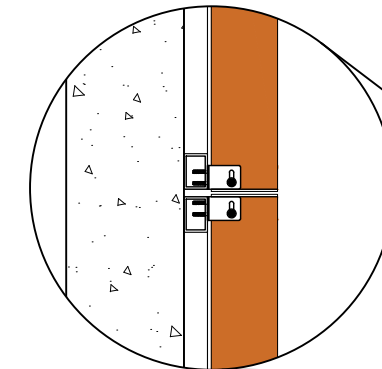
DETAIL-5.0



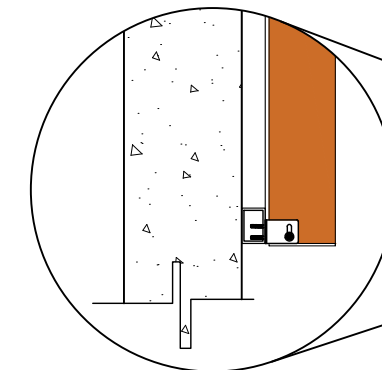
DETAIL-4.0



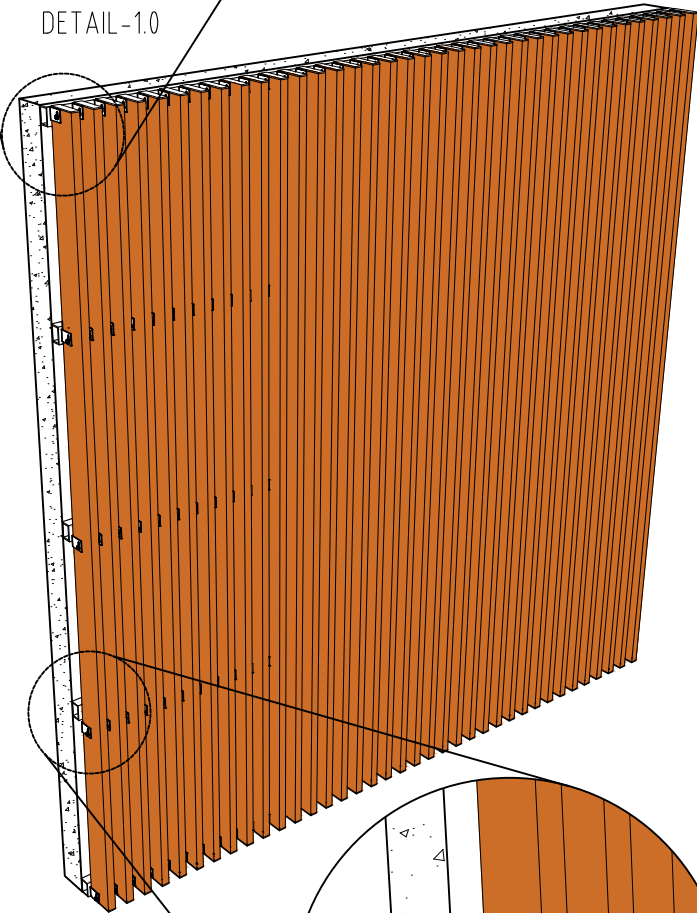
DETAIL-6.0



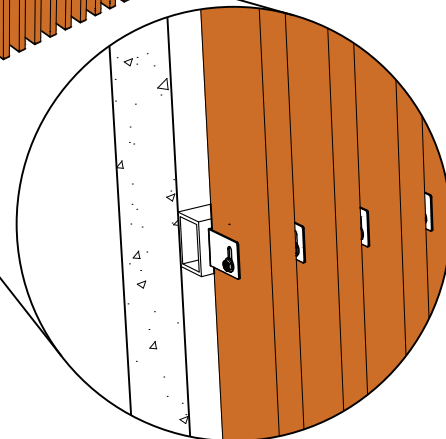
DETAIL-7.0



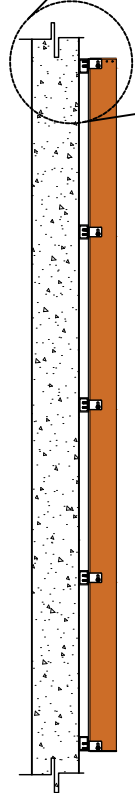
DETAIL-8.0



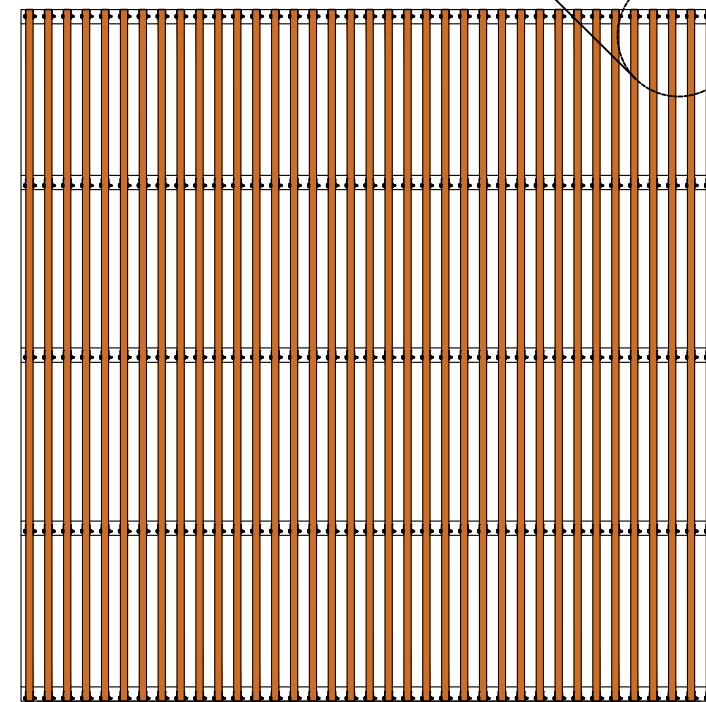
PERSPECTIVE



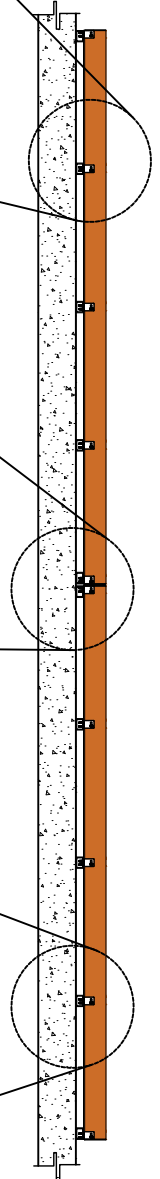
DETAIL-2.0



SIDE ELEVATION



FRONT ELEVATION



MULTI-BOARD  
SIDE ELEVATION

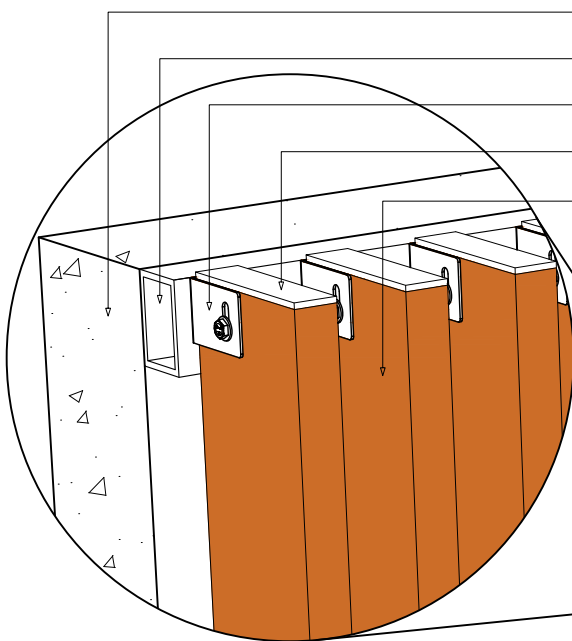
1  
4VCUB

**4CH VERTICAL CLADDING U-BRACKET**

RESYSTA PROFILE WITHOUT ALUMINUM INSERT (RESGC020612)

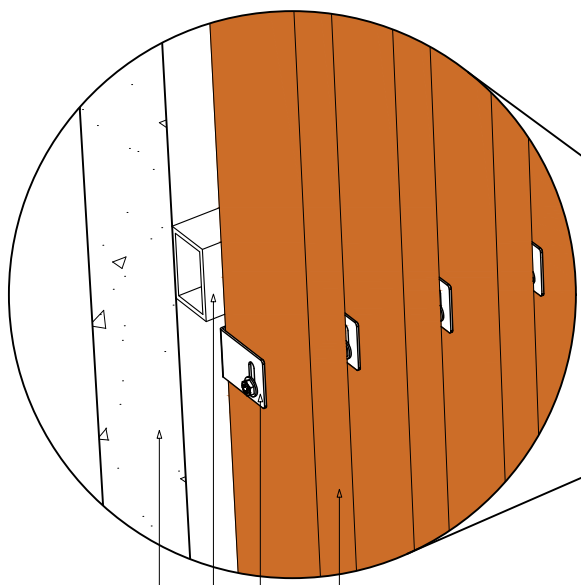


CONTACT	TITLE	SPECIFICATION	SHEET CONTENT	SHEET SIZE	DRAWING NO.
PHONE: 503-360-9551	4CH - U Bracket VERTICAL CLADDING DETAIL	TYPICAL DRAWING DETAIL	PERSPECTIVE	A3	4VCUB-1.1
E-MAIL: sales@hdgbuildingmaterials.com			TOP VIEW		
WEB: hdgbuildingmaterials.com			FRONT ELEVATION	DATE	REVISION
			SIDE ELEVATION	27.02.23	0
			MULTI-BOARD SIDE ELEVATION		



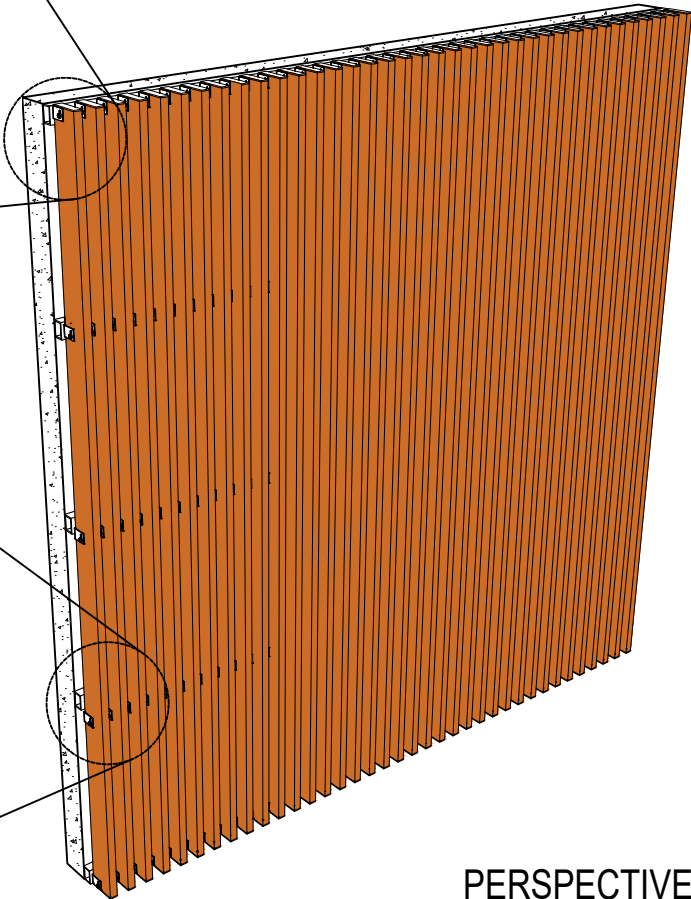
**DETAIL - 1.0**  
END PART

- EXISTING WALL
- SUBSTRUCTURE BY OTHERS
- RESUB112234 Aluminum U-Bracket with Bolt, washer and nut
- RESCAP0206Cxx Hollow Cap
- RESGC020612 Cladding (4CH)



**DETAIL - 12.0**  
MIDDLE PART

- RESGC020612 Cladding (4CH)
- RESUB112234 Aluminum U-Bracket with Bolt, washer and nut
- SUBSTRUCTURE BY OTHERS
- EXISTING WALL



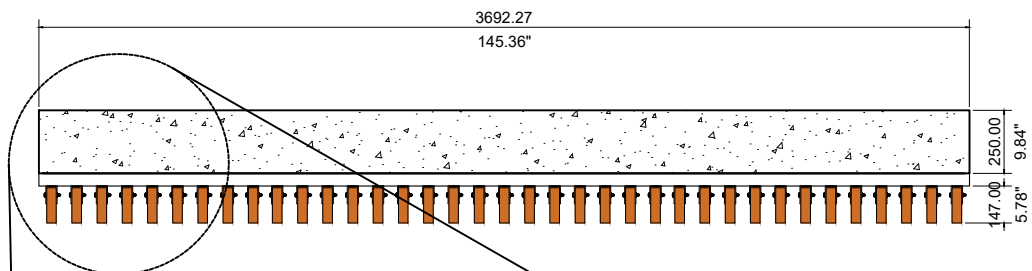
**PERSPECTIVE**

**SUB-DETAIL**  
**4VCUB 1.2**  
N.T.S

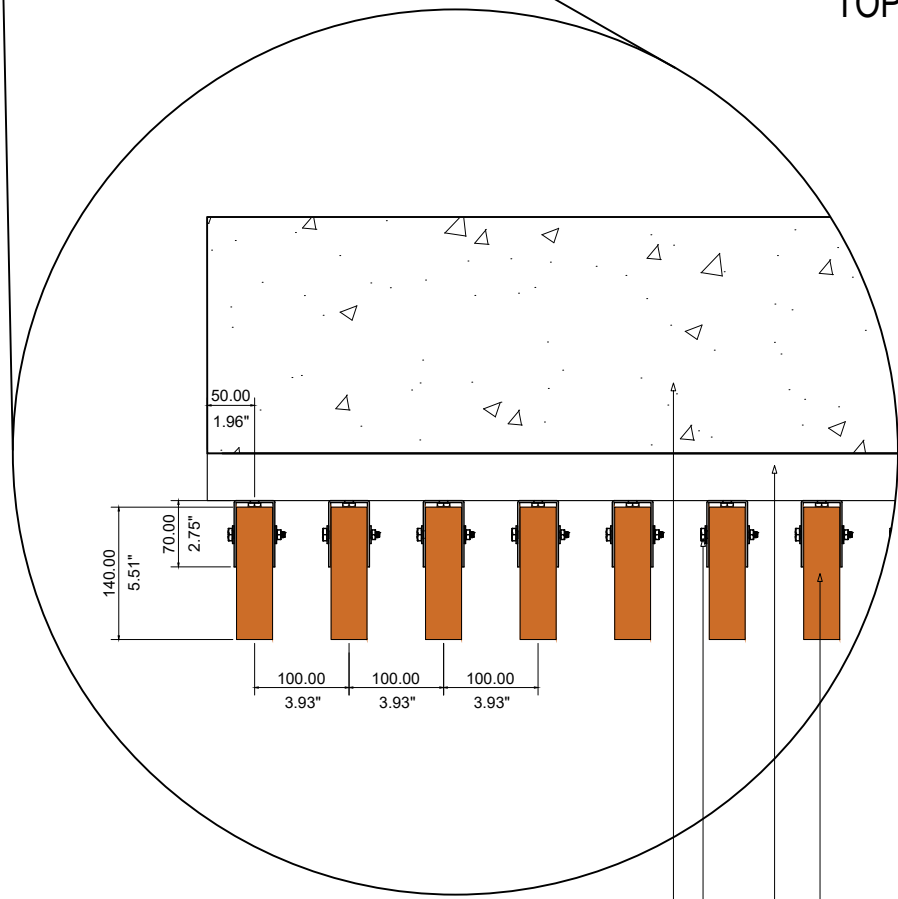
DIMENSION LEGEND	
	Millimeter (mm)
	Inches (") / Foot (')



CONTACT	TITLE	SHEET CONTENT	
PHONE: 503-360-9551  E-MAIL: sales@hdgbuildingmaterials.com  WEB: hdgbuildingmaterials.com	4CH - U BRACKET <b>VERTICAL CLADDING</b> SUB-DETAIL	PERSPECTIVE	
		DETAIL - 1.0	
		DETAIL - 2.0	
	SPECIFICATION  <b>TYPICAL DRAWING DETAIL</b>	DRAWING NO.	DATE
		4VCUB-1.2	27.02.23
		CAD BY:	CHECKED BY:



TOP VIEW



- EXISTING WALL
- RESUB112234 Aluminum U-Bracket with Bolt, washer and nut
- SUBSTRUCTURE BY OTHERS
- RESGC020612 Cladding (4CH)

DETAIL - 3.0

**SUB-DETAIL**

4VCUB 1.3

N.T.S

DIMENSION LEGEND	
1 mm	1/8"
10 mm	3/8"
25 mm	1"



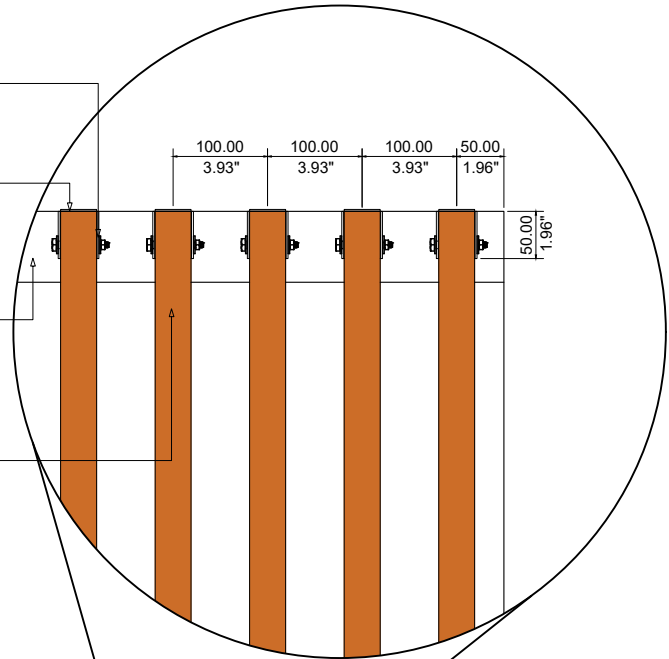
CONTACT	TITLE	SHEET CONTENT	
PHONE: 503-360-9551  E-MAIL: sales@hdgbuildingmaterials.com  WEB: hdgbuildingmaterials.com	4CH - U BRACKET <b>VERTICAL CLADDING</b> SUB-DETAIL	TOP VIEW	
		DETAIL -3.0	
	SPECIFICATION	DRAWING NO.	DATE
	TYPICAL DRAWING DETAIL	4VCUB-1.3	27.02.23
		CAD BY:	CHECKED BY:

RESUB112234 Aluminum U-Bracket  
with Bolt, washer and nut

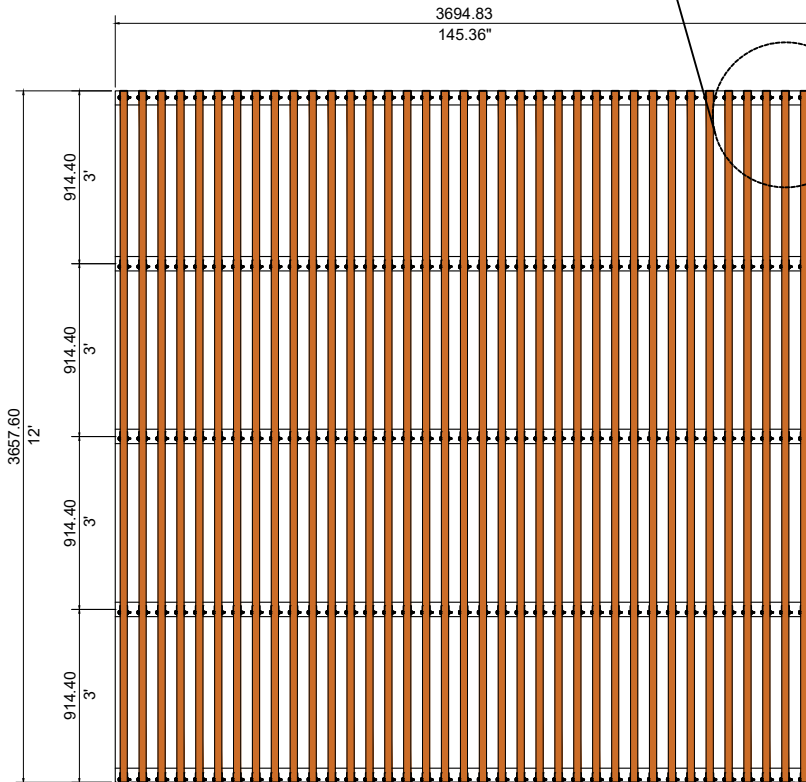
RESCAP0206Cxx Hollow Cap

SUBSTRUCTURE BY OTHERS

RESGC020612 Cladding (4CH)



DETAIL - 4.0



FRONT ELEVATION

**SUB-DETAIL**  
4VCUB 1.4

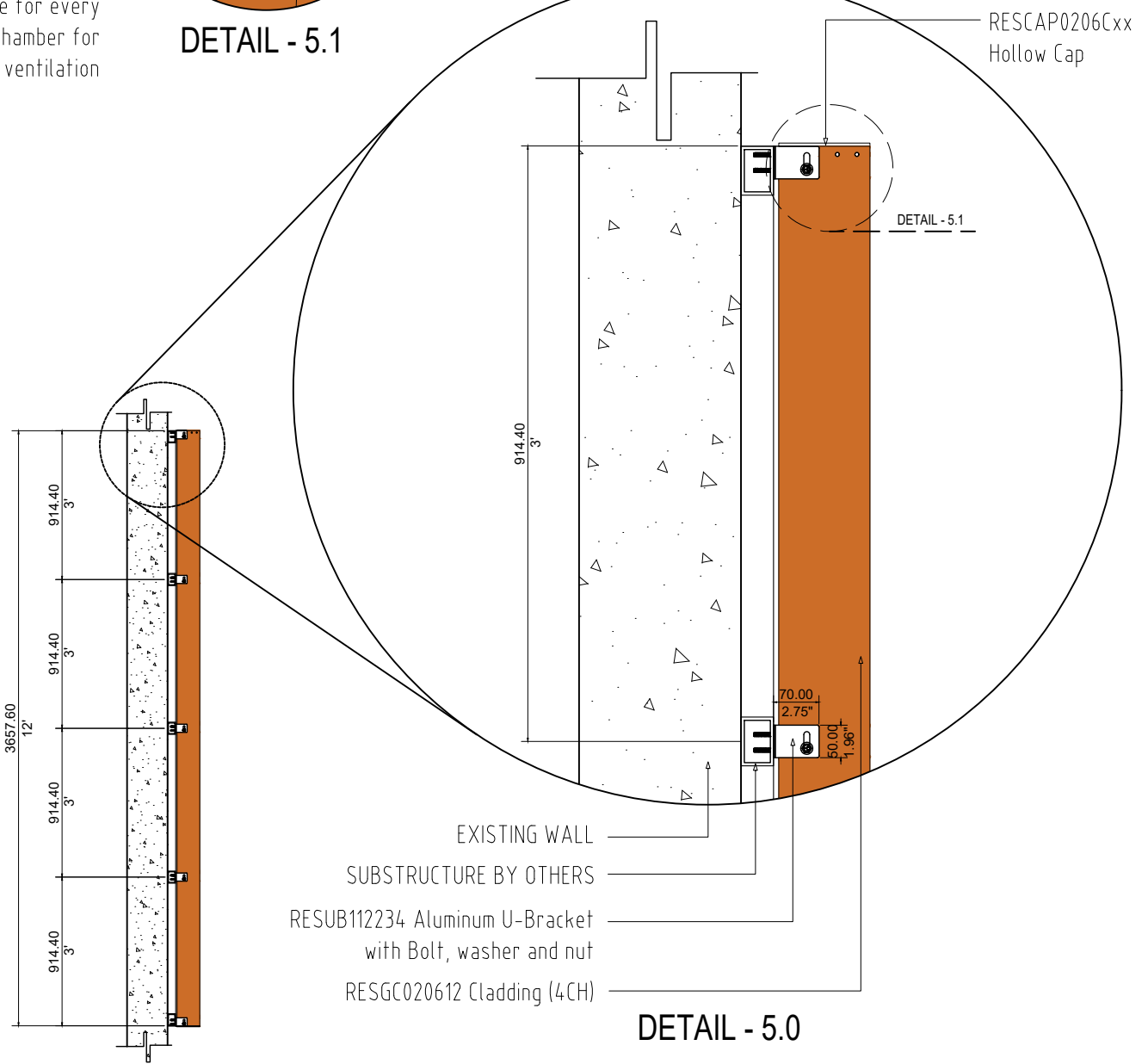
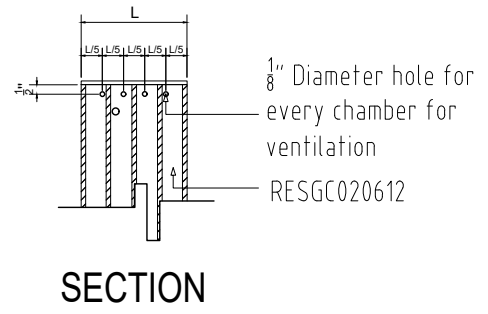
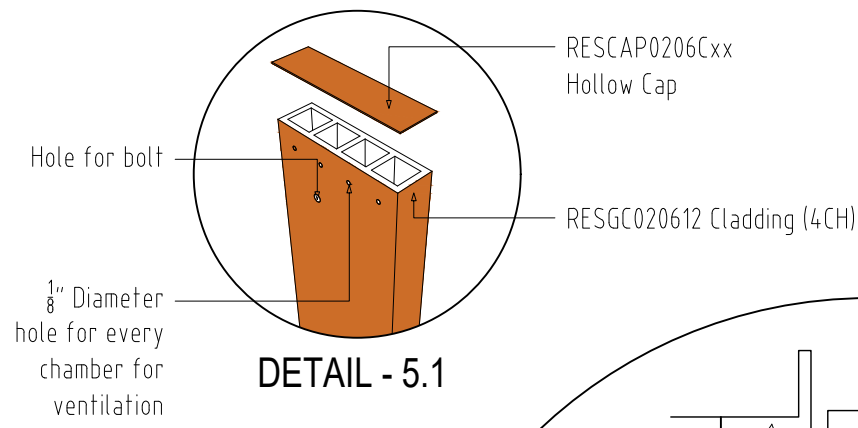
N.T.S

DIMENSION LEGEND

Millimeter (mm)
Inches (") / Foot (')



<p>CONTACT</p> <p>PHONE: 503-360-9551</p> <p>E-MAIL: sales@hdgbuildingmaterials.com</p> <p>WEB: hdgbuildingmaterials.com</p>	<p>TITLE</p> <p>4CH - U BRACKET VERTICAL CLADDING SUB-DETAIL</p>	<p>SHEET CONTENT</p> <p>FRONT ELEVATION</p> <p>DETAIL-4.0</p>	
	<p>SPECIFICATION</p> <p>TYPICAL DRAWING DETAIL</p>	<p>DRAWING NO.</p> <p>4VCUB-1.4</p>	<p>DATE</p> <p>27.02.23</p>
		<p>CAD BY:</p>	<p>CHECKED BY:</p>



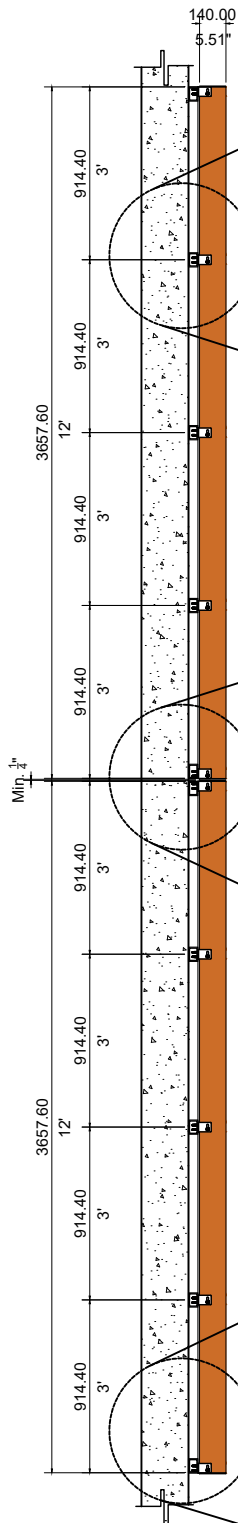
**SIDE ELEVATION**

**SUB-DETAIL**  
4VCUB 1.5  
N.T.S

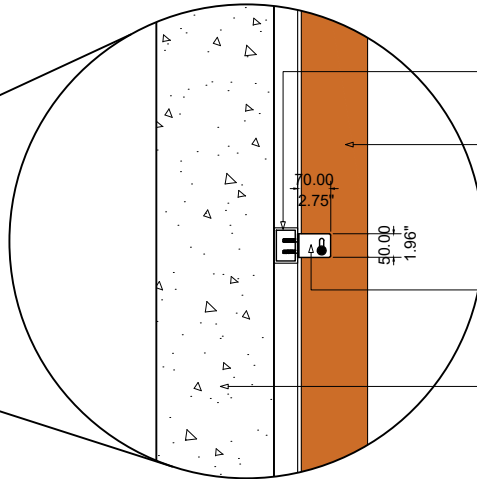
DIMENSION LEGEND	
Millimeter (mm)	
Inches (") / Foot (')	



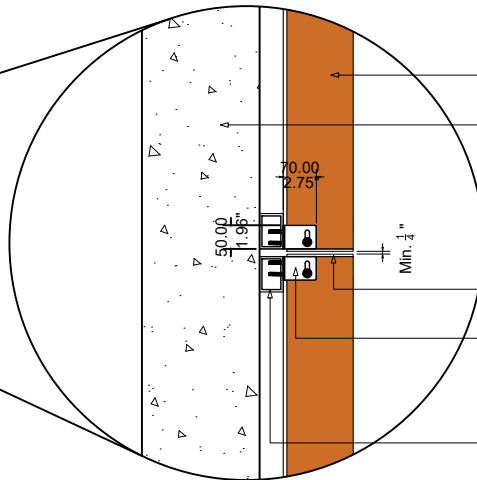
CONTACT	TITLE	SHEET CONTENT	
PHONE: 503-360-9551  E-MAIL: sales@hdgbuildingmaterials.com  WEB: hdgbuildingmaterials.com	4CH - U BRACKET VERTICAL CLADDING SUB-DETAIL	SIDE ELEVATION	
		DETAIL-5.0	
DETAIL-5.1			
SPECIFICATION	TYPICAL DRAWING DETAIL	SECTION	DRAWING NO.
		4VCUB-15	DATE
		CAD BY:	CHECKED BY:
			27.02.23



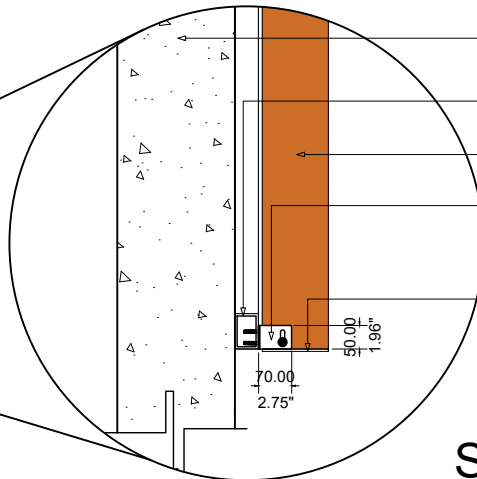
MULTI-BOARD  
SIDE ELEVATION



DETAIL - 6.0



DETAIL - 7.0



DETAIL - 8.0

**SUB-DETAIL**  
4VCUB 1.6

N.T.S

DIMENSION LEGEND	
Millimeter (mm)	
Inches (") / Foot (')	



CONTACT	TITLE	SHEET CONTENT	
PHONE: 503-360-9551  E-MAIL: sales@hdgbuildingmaterials.com  WEB: hdgbuildingmaterials.com	4CH - U BRACKET <b>VERTICAL CLADDING</b> SUB-DETAIL	MULTI-BRD SIDE ELEV	
		DETAIL-6.0	
		DETAIL-7.0	
	SPECIFICATION	DRAWING NO.	DATE
	TYPICAL DRAWING DETAIL	4VCUB-16	27.02.23
		CAD BY:	CHECKED BY: