

ISOMETRIC VIEW

ALUMINUM TRIM HORIZONTAL CLADDING DETAIL (ATHCD)

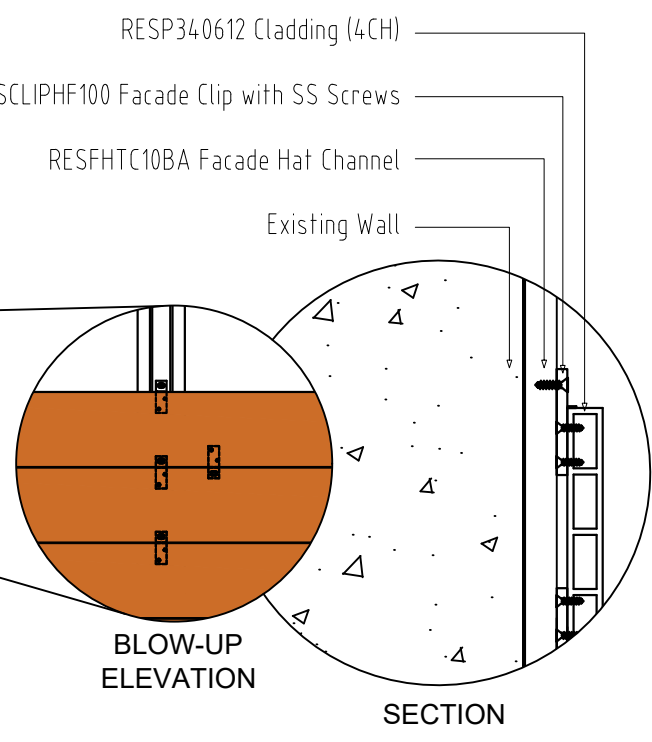
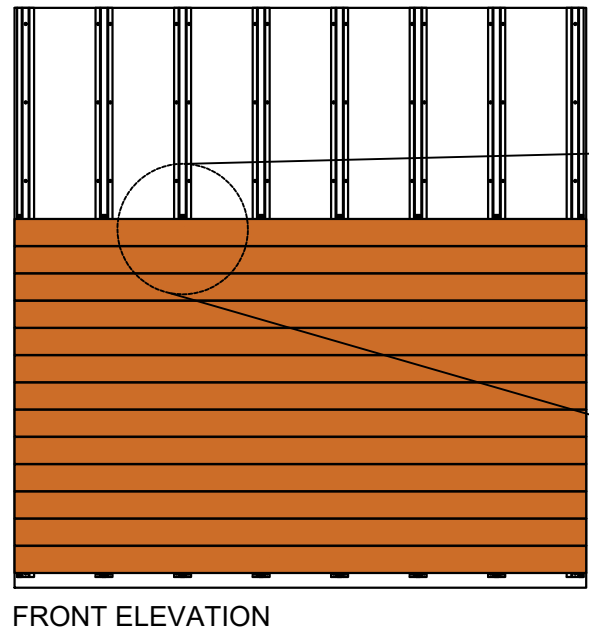
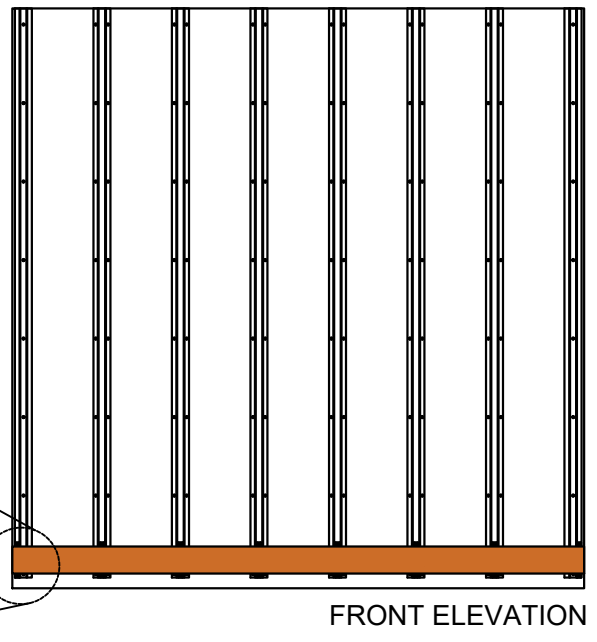
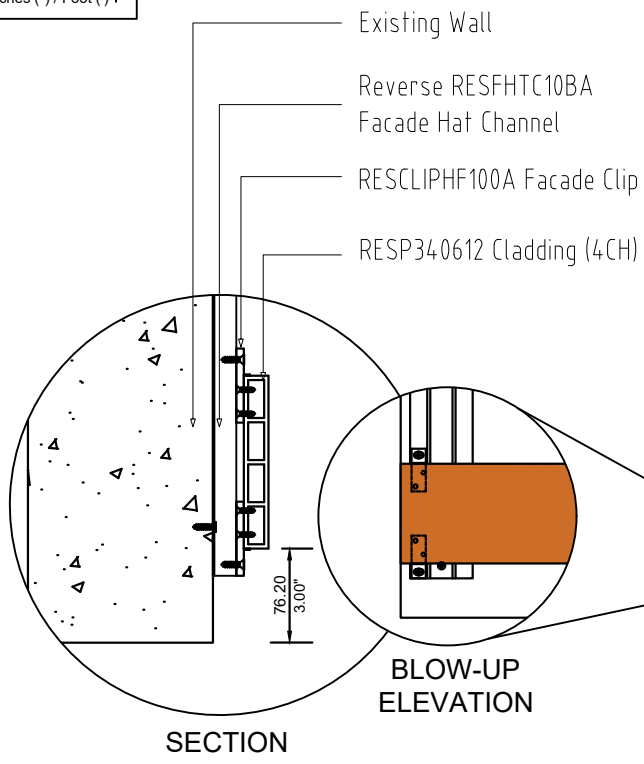
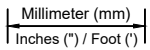
N.T.S

1
ATHCD-1



CONTACT	TITLE	SPECIFICATION	SHEET CONTENT	SHEET SIZE	DRAWING NO.
PHONE: 503-360-9551 E-MAIL: sales@hdgbuildingmaterials.com WEB: hdgbuildingmaterials.com	ALUMINUM TRIM HORIZONTAL CLADDING DETAIL	TYPICAL DRAWING DETAIL CAD BY: _____ CHECKED BY: _____	ISOMETRIC VIEW BLOW-UP DETAIL	A3 DATE: 03.01.23	ATHCD-01 REVISION: 0

DIMENSION LEGEND



SUB-DETAIL
ATHCD 1.1
N.T.S

Note:

Each HF Clip requires 3 screws. Two are #8 x 1/2" SMS screws to attach the Clip to the Resysta Wall Cladding board and one is to attach the wall cladding board with the clip to the battens.

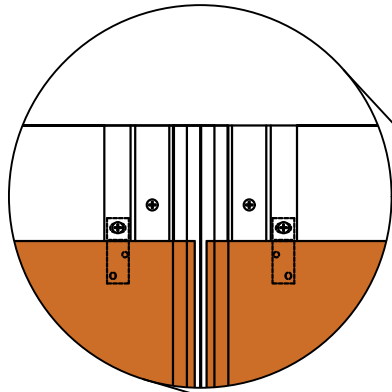


CONTACT PHONE: 503-360-9551 E-MAIL: sales@hdgbuildingmaterials.com WEB: hdgbuildingmaterials.com	TITLE ALUMINUM TRIM HORIZONTAL CLADDING SUB-DETAIL	SHEET CONTENT ELEVATION BLOW-UP DETAIL SECTION	
	SPECIFICATION TYPICAL DRAWING DETAIL	DRAWING NO. ATHCD-02	DATE 03.01.23
		CAD BY:	CHECKED BY:

DIMENSION LEGEND

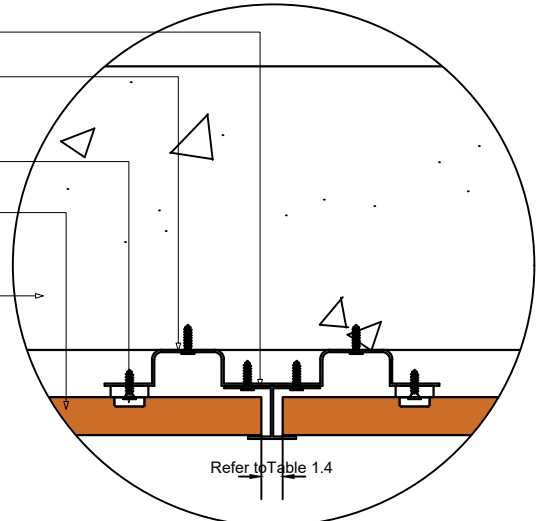
Millimeter (mm)

Inches (") / Foot (')



BLOW-UP ELEVATION

- RESFHM10 Facade H Mold
- Reverse RESFHTC10BA Facade Hat Channel
- RESCLIPHF100A Facade Clip
- RESP340612 Cladding (4CH)
- Existing Wall



Refer to Table 1.4

TOP VIEW

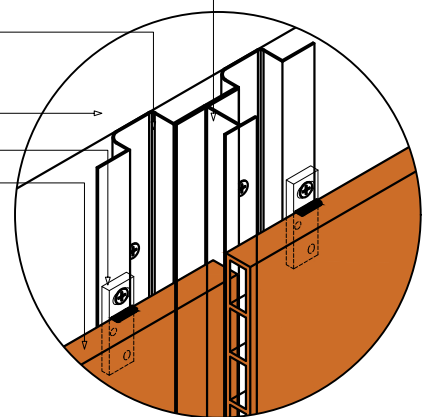


FRONT ELEVATION

SUB-DETAIL
ATHCD 1.2

N.T.S

- RESFHM10 Facade H Mold
- Reverse RESFHTC10BA Facade Hat Channel
- Existing Wall
- RESCLIPHF100A Facade Clip
- RESP340612 Cladding (4CH)



ISOMETRIC VIEW

Table 1.4 "Resysta Expansion"

Resysta Wall Cladding Board Gap Guide					
	Aluminum Trim Gap of Wall cladding Board				H-Channel Gap
Temperature at Installation	Below 30°F	60°F	90°F	120°F	
Amount for Wall cladding Profile - Length of 12 ft.	7/16"	5/16"	3/16"	0"	1/4"

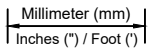
Note :

An H-Channel Trim should be installed at each board abutment joint to cover the ends of the Resysta Wall Cladding Boards. This is an option for installation using 3 or more boards abutted end-to-end. When connecting wall cladding boards at the ends, please consider Resysta Expansion.



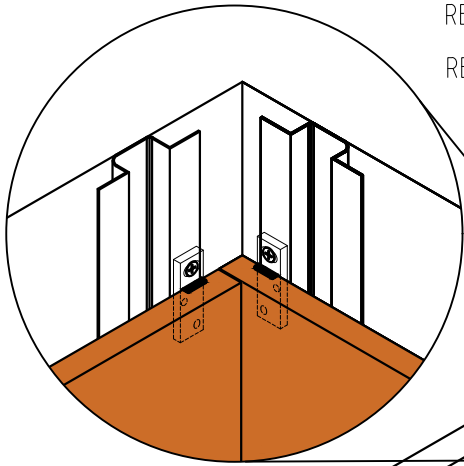
CONTACT PHONE: 503-360-9551 E-MAIL: sales@hdgbuildingmaterials.com WEB: hdgbuildingmaterials.com	TITLE ALUMINUM TRIM HORIZONTAL CLADDING SUB-DETAIL	SHEET CONTENT ELEVATION BLOW-UP DETAIL TOP VIEW ISOMETRIC VIEW	
	SPECIFICATION TYPICAL DRAWING DETAIL	DRAWING NO. ATHCD-03	DATE 03.01.23
		CAD BY:	CHECKED BY:

DIMENSION LEGEND

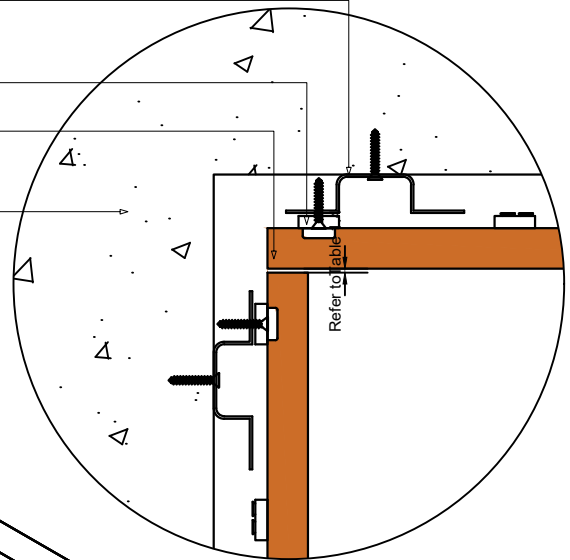


- Reverse RESFHTC10BA
- Facade Hat Channel
- RESCLIPHF100A Facade Clip
- RESP340612 Cladding (4CH)

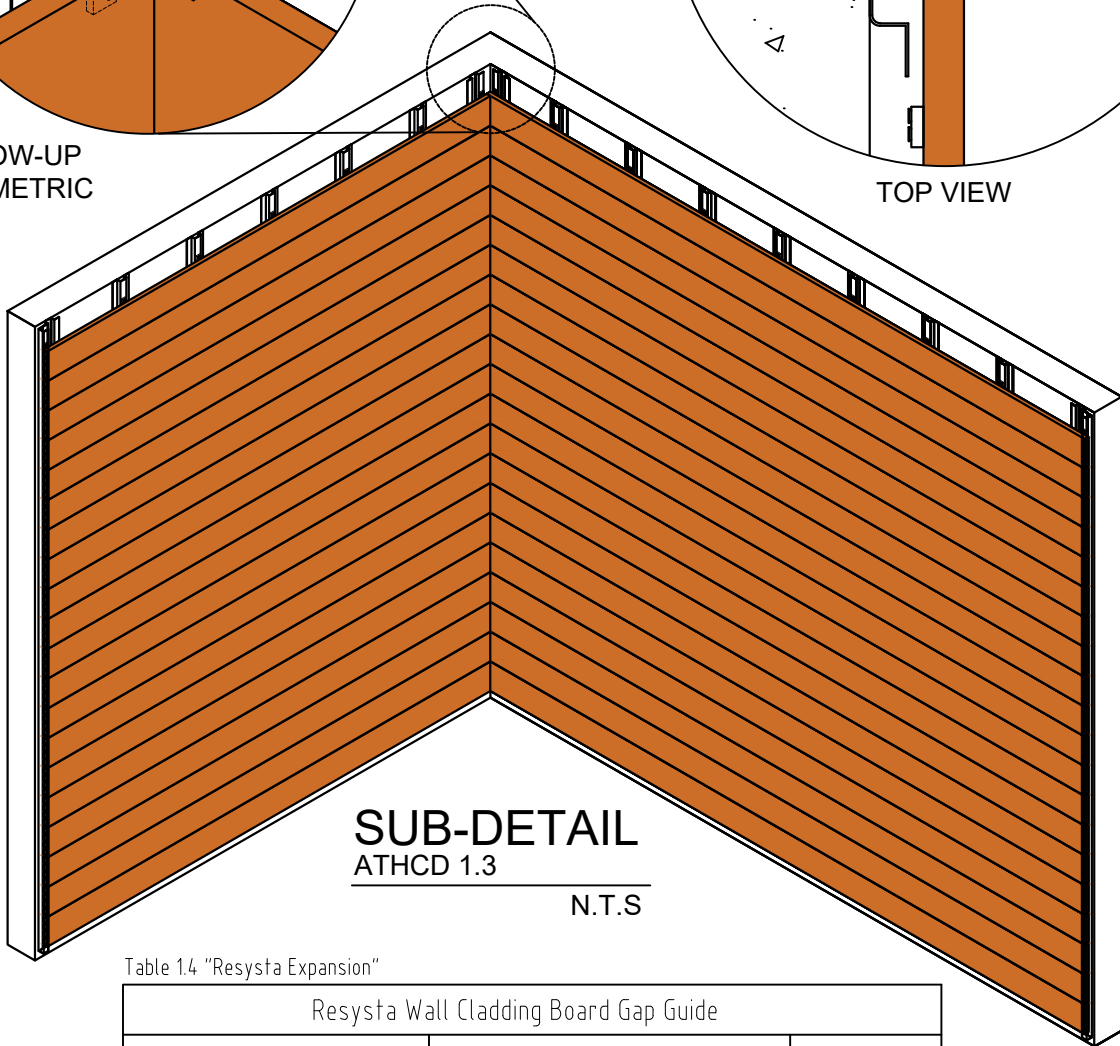
Existing Wall



**BLOW-UP
ISOMETRIC**



TOP VIEW



SUB-DETAIL

ATHCD 1.3

N.T.S

**ISOMETRIC
VIEW**

Table 1.4 "Resysta Expansion"

Resysta Wall Cladding Board Gap Guide					
	Aluminum Trim Gap of Wall cladding Board				H-Channel Gap
Temperature at Installation	Below 30°F	60°F	90°F	120°F	
Amount for Wall cladding Profile - Length of 12 ft.	7/16"	5/16"	3/16"	0"	1/4"

Note :
When connecting wall cladding boards at the ends, please consider Resysta Expansion.

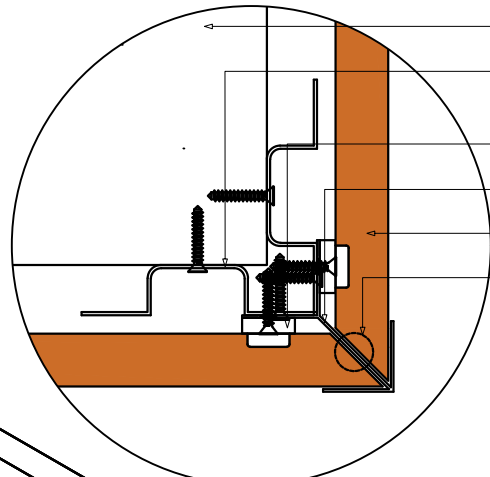


CONTACT PHONE: 503-360-9551 E-MAIL: sales@hdgbuildingmaterials.com WEB: hdgbuildingmaterials.com	TITLE ALUMINUM TRIM HORIZONTAL CLADDING SUB-DETAIL	SHEET CONTENT ISOMETRIC VIEW BLOW-UP DETAIL TOP VIEW	
	SPECIFICATION TYPICAL DRAWING DETAIL	DRAWING NO. ATHCD-04	DATE 03.01.23
		CAD BY:	CHECKED BY:

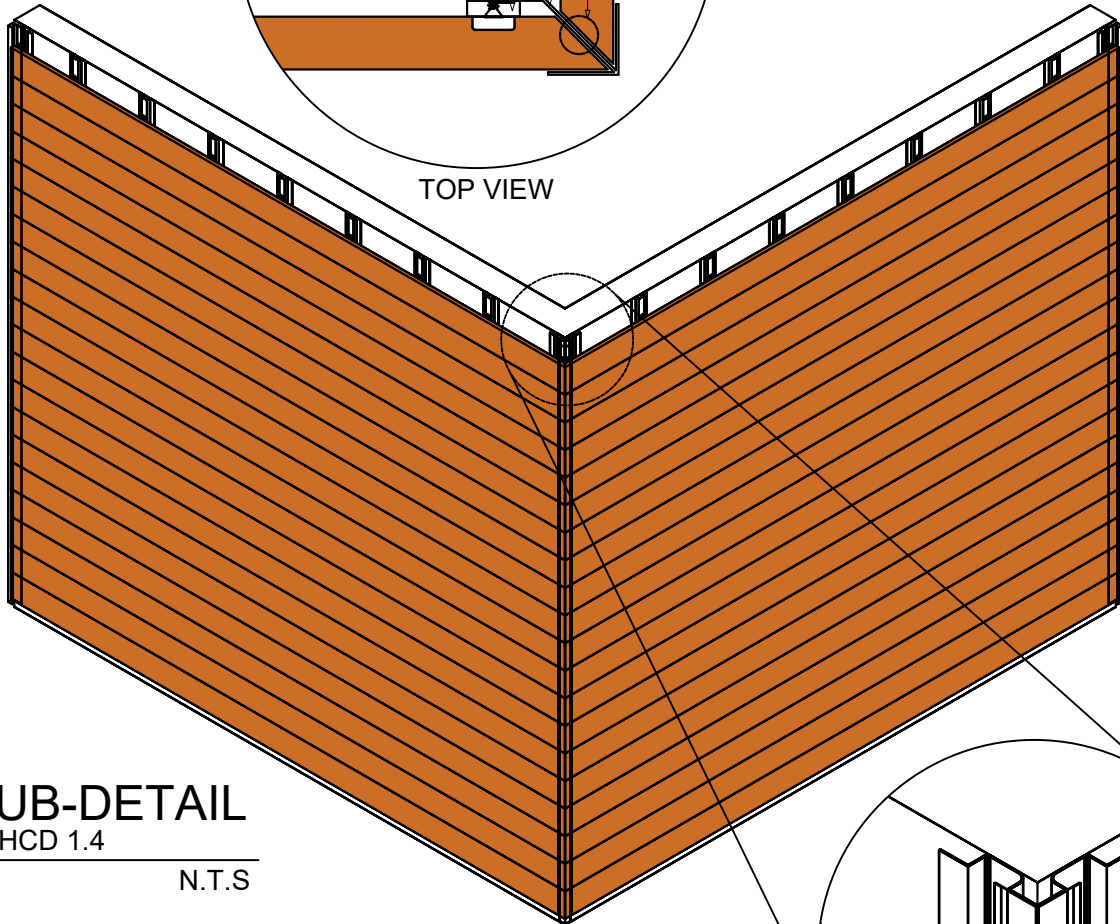
DIMENSION LEGEND

Millimeter (mm)

Inches (") / Foot (')

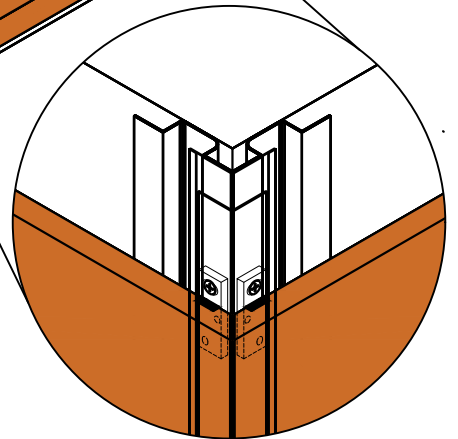


- Existing Wall
- Reverse RESFHTC10BA Facade Hat Channel
- RESCLIPHF100A Facade Clip
- RESFOC10 Facade Outside Corner
- RESP340612 Cladding (4CH)
- Gap_ Refer to Table 1.4



TOP VIEW

ISOMETRIC VIEW



BLOW-UP ISOMETRIC

SUB-DETAIL
ATHCD 1.4

N.T.S

Table 1.4 "Resysta Expansion"

Resysta Wall Cladding Board Gap Guide					
	Aluminum Trim Gap of Wall cladding Board				H-Channel Gap
Temperature at Installation	Below 30°F	60°F	90°F	120°F	
Amount for Wall cladding Profile - Length of 12 ft.	7/16"	5/16"	3/16"	0"	1/4"

Note :

Outside corner trim should be pre applied prior to installing wall cladding boards. The wall cladding board end that is inserted into the outside corner should be miter cut at a 45 degree angle to match up with the outside corner internal web. Follow the gap guide when installing the wall cladding board to allow for expansion and contraction within the outside corner trim

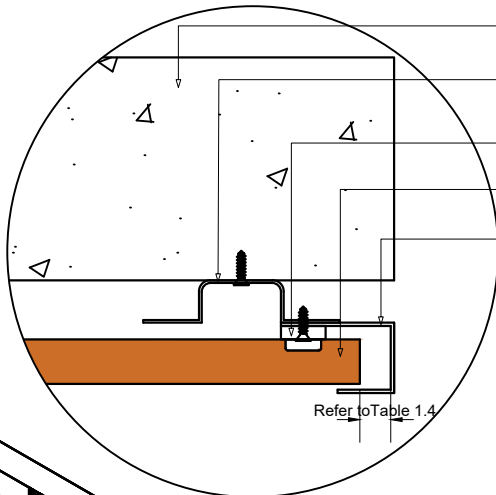


CONTACT PHONE: 503-360-9551 E-MAIL: sales@hdgbuildingmaterials.com WEB: hdgbuildingmaterials.com	TITLE ALUMINUM TRIM HORIZONTAL CLADDING SUB-DETAIL	SHEET CONTENT ISOMETRIC VIEW BLOW-UP DETAIL TOP VIEW	
	SPECIFICATION TYPICAL DRAWING DETAIL	DRAWING NO. ATHCD-05	DATE 03.01.23
		CAD BY:	CHECKED BY:

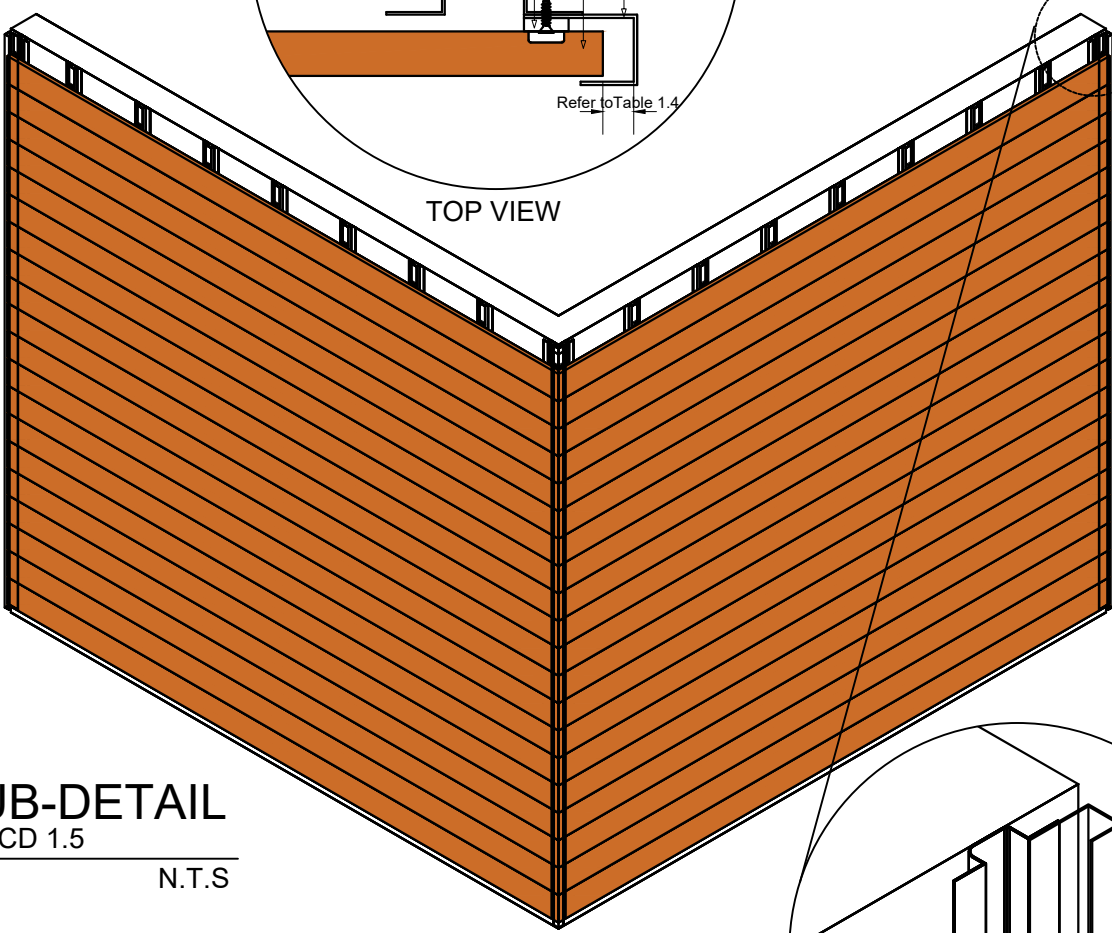
DIMENSION LEGEND

Millimeter (mm)

Inches (") / Foot (')



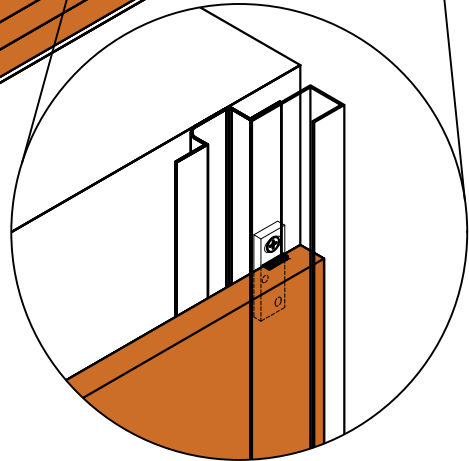
- Existing Wall
- Reverse RESFHTC10BA
- Facade Hat Channel
- RESCLIPHF100A Facade Clip
- RESP340612 Cladding (4CH)
- RESFJM10 Facade J Mold



TOP VIEW

ISOMETRIC VIEW

SUB-DETAIL
ATHCD 1.5
N.T.S



BLOW-UP ISOMETRIC

Table 1.4 "Resysta Expansion"

Resysta Wall Cladding Board Gap Guide					
	Aluminum Trim Gap of Wall cladding Board				H-Channel Gap
Temperature at Installation	Below 30°F	60°F	90°F	120°F	
Amount for Wall cladding Profile - Length of 12 ft.	7/16"	5/16"	3/16"	0"	1/4"

Note :

When a wall cladding board in either a horizontal or vertical application terminates into a wall, eave, window, door etc. a J-channel should be used to cover the exposed end of the wall cladding board. The J-channel should also be used along the bottom of a vertical installation. J-channel trim should be pre-applied prior to installing wall cladding boards.



CONTACT PHONE: 503-360-9551 E-MAIL: sales@hdgbuildingmaterials.com WEB: hdgbuildingmaterials.com	TITLE ALUMINUM TRIM HORIZONTAL CLADDING SUB-DETAIL	SHEET CONTENT ISOMETRIC VIEW BLOW-UP DETAIL TOP VIEW	
	SPECIFICATION TYPICAL DRAWING DETAIL	DRAWING NO. ATHCD-06	DATE 03.01.23
		CAD BY:	CHECKED BY: