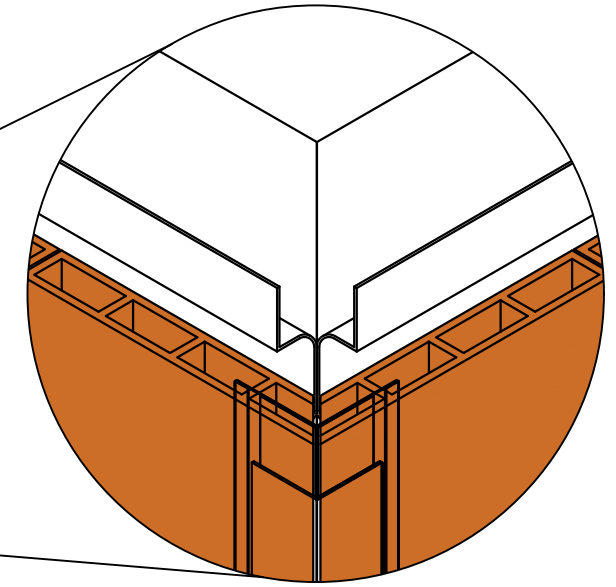
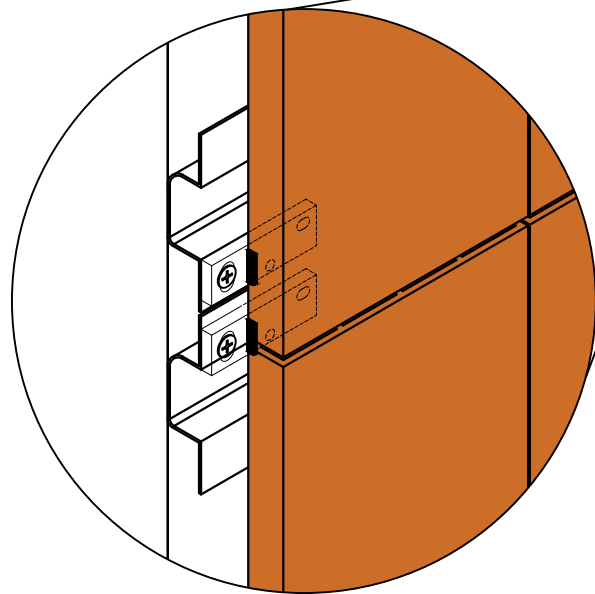


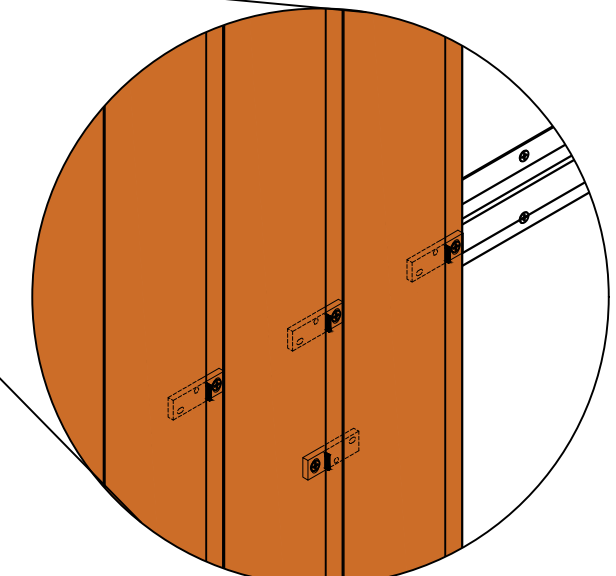
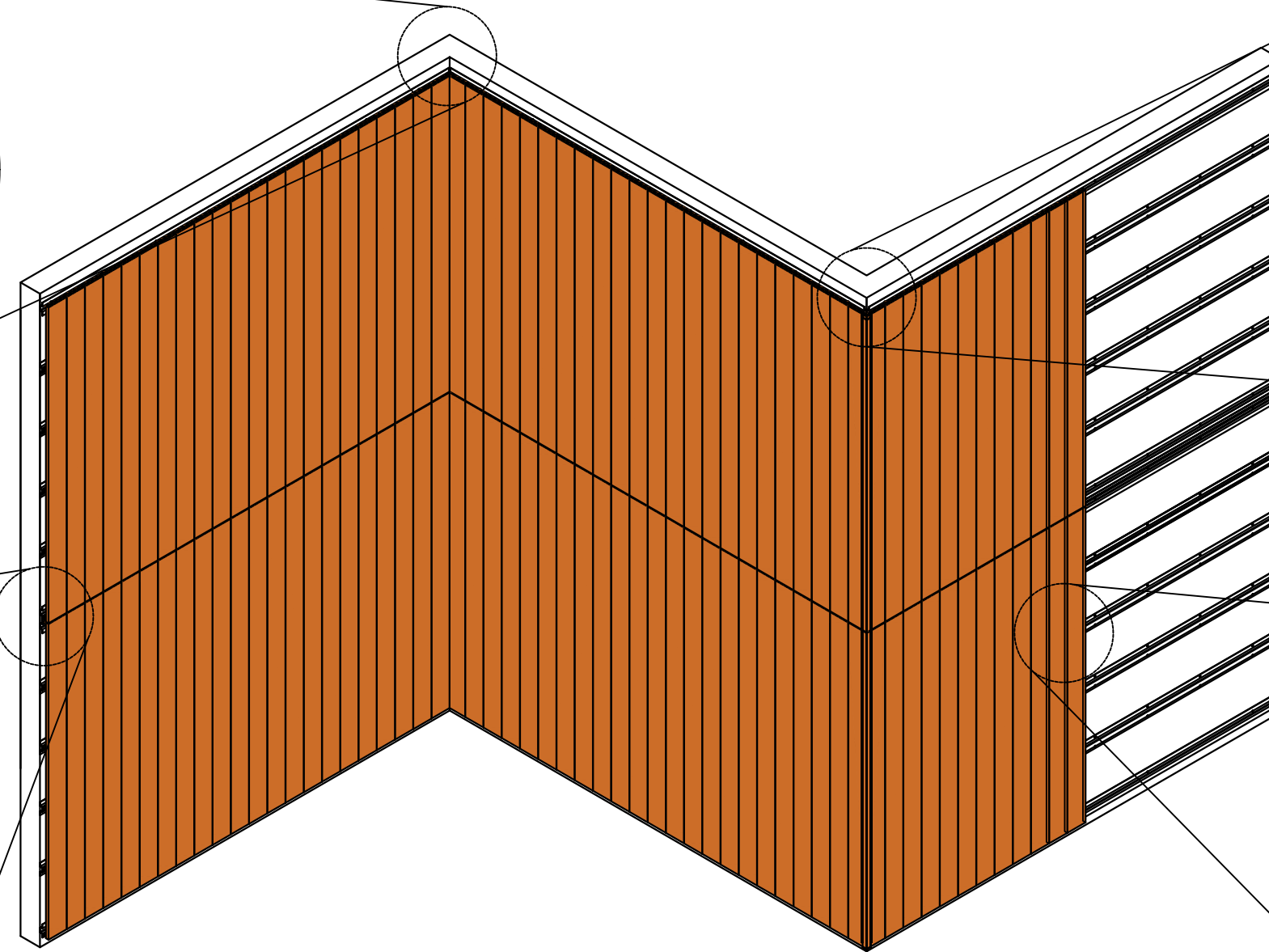
INSIDE CORNER
(SEE SUB-DETAIL ATVCD-1.2)



OUTSIDE CORNER
(SEE SUB-DETAIL ATVCD-1.3)



H-MOLD
(SEE SUB-DETAIL ATVCD-1.1)



FACADE CLIP
(SEE SUB-DETAIL ATVCD-1.4)

1
ATVCD-1

ISOMETRIC VIEW

ALUMINUM TRIM VERTICAL CLADDING DETAIL (ATVCD)

N.T.S

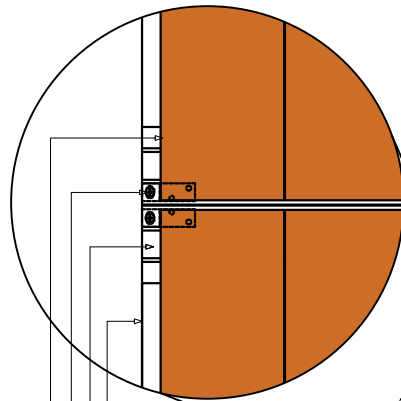


CONTACT	TITLE	SPECIFICATION	SHEET CONTENT	SHEET SIZE	DRAWING NO.
PHONE: 503-360-9551 E-MAIL: sales@hdgbuildingmaterials.com WEB: hdgbuildingmaterials.com	ALUMINUM TRIM VERTICAL CLADDING DETAIL	TYPICAL DRAWING DETAIL CAD BY: _____ CHECKED BY: _____	ISOMETRIC VIEW BLOW-UP DETAIL	A3 DATE 14.02.23	ATVCD-01 REVISION 2

DIMENSION LEGEND

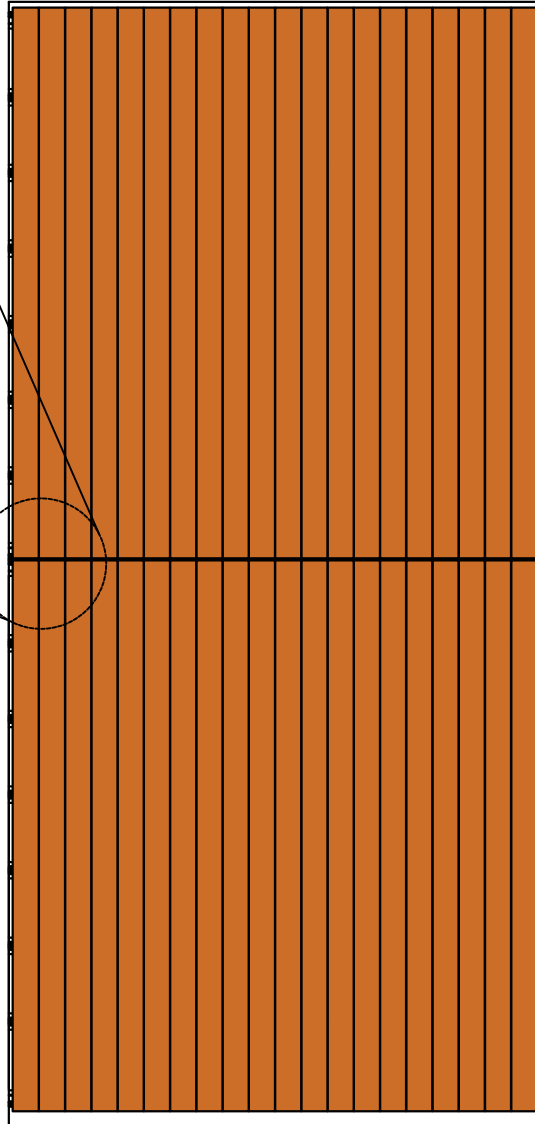
Millimeter (mm)

Inches (") / Foot (')

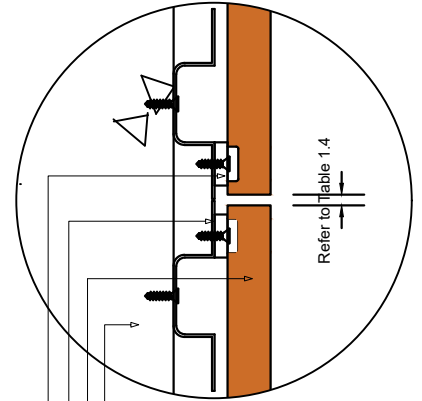


BLOW-UP ELEVATION

- Existing Wall
- Reverse RESFHTC10BA Facade Hat Channel
- RESCLIPHF100A Facade Clip
- RESP340612 Cladding (4CH)

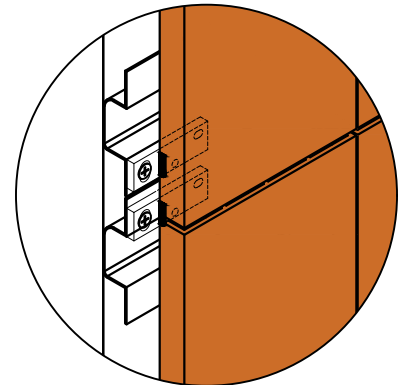


FRONT ELEVATION



SECTION

- Existing Wall
- RESP340612 Cladding (4CH)
- Reverse RESFHTC10BA Facade Hat Channel
- RESCLIPHF100A Facade Clip



ISOMETRIC VIEW

Table 1.4 "Resysta Expansion"

Resysta Wall Cladding Board Gap Guide					
	Aluminum Trim Gap of Wall cladding Board				H-Channel Gap
Temperature at Installation	Below 30 OF	60 OF	90 OF	120 OF	
Amount for Wall cladding Profile - Length of 12 ft.	7/16"	5/16"	3/16"	0"	1/4"

SUB-DETAIL
ATVCD 1.1

N.T.S

Note :

NO Trim should be installed at each board abutment joint to cover the ends of the Resysta Wall Cladding Boards. This is for installation using 3 or more boards abutted end-to-end. When connecting wall cladding boards at the ends, please consider Resysta Expansion.



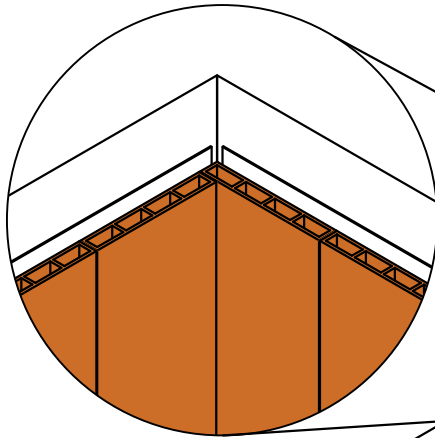
CONTACT PHONE: 503-360-9551 E-MAIL: sales@hdgbuildingmaterials.com WEB: hdgbuildingmaterials.com	TITLE ALUMINUM TRIM VERTICAL CLADDING SUB-DETAIL	SHEET CONTENT		
	SPECIFICATION TYPICAL DRAWING DETAIL	FRONT ELEVATION BLOW-UP ELEVATION SECTION ISOMETRIC VIEW		
		DRAWING NO.	DATE	
		ATVCD-02	14.02.23	
	CAD BY:	CHECKED BY:		

DIMENSION LEGEND

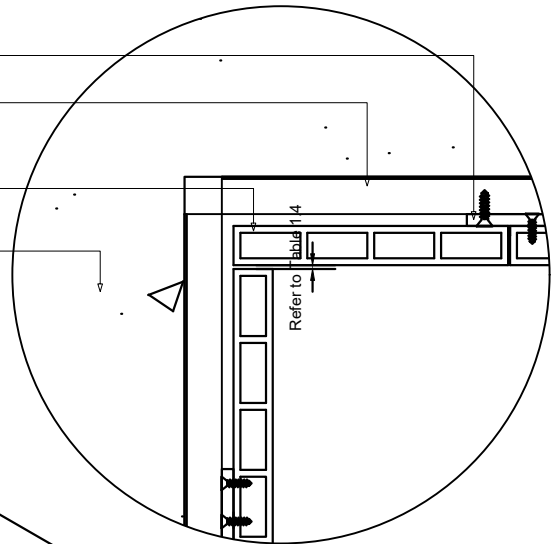
Millimeter (mm)

Inches (") / Foot (')

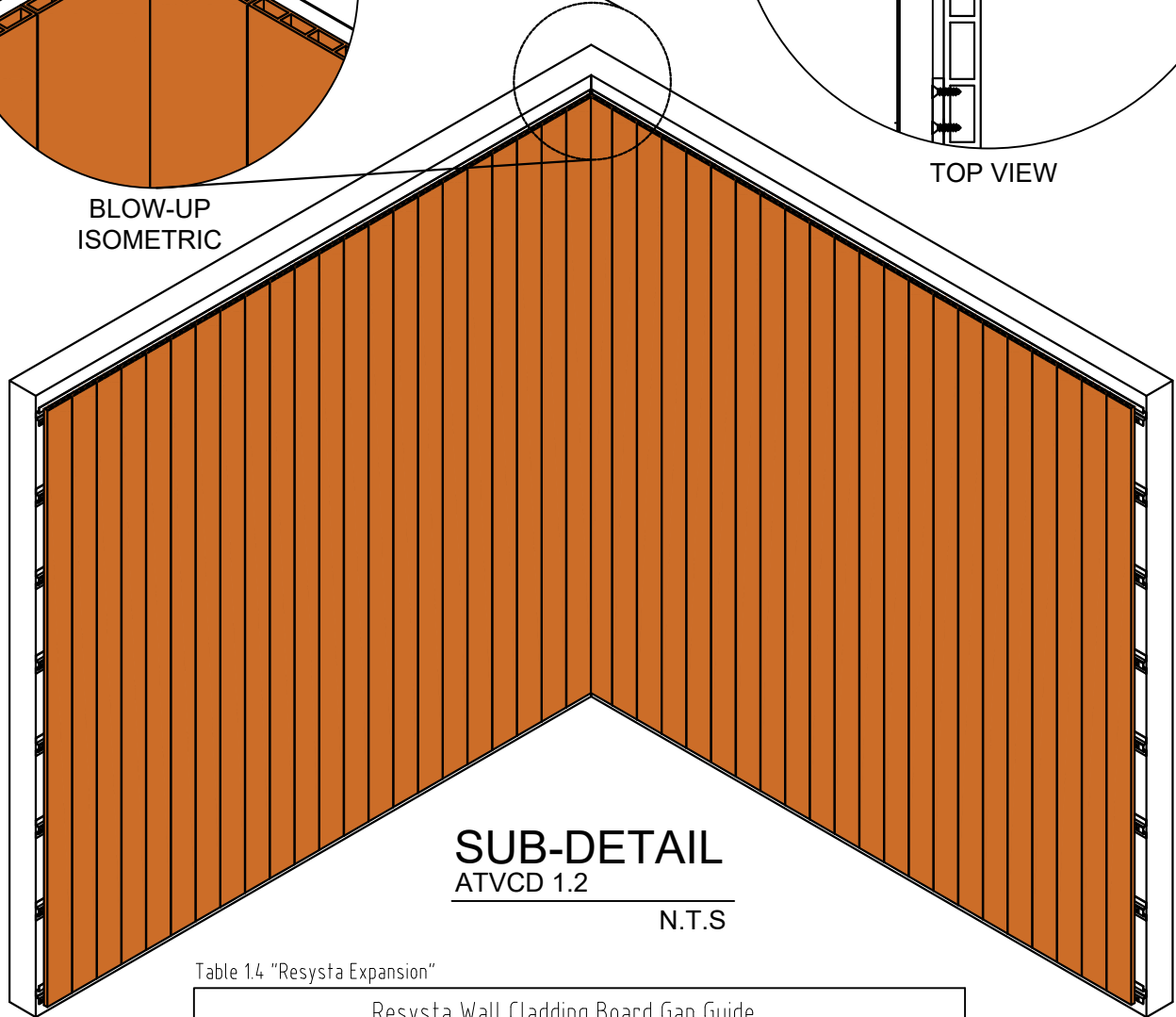
- RESCLIPHF100A Facade Clip
- Reverse RESFHTC10BA Facade Hat Channel
- RESP340612 Cladding (4CH)
- Existing Wall



BLOW-UP ISOMETRIC



TOP VIEW



SUB-DETAIL
ATVCD 1.2
N.T.S

ISOMETRIC VIEW

Table 1.4 "Resysta Expansion"

Resysta Wall Cladding Board Gap Guide					
	Aluminum Trim Gap of Wall cladding Board				H-Channel Gap
Temperature at Installation	Below 30 OF	60 OF	90 OF	120 OF	
Amount for Wall cladding Profile - Length of 12 ft.	7/16"	5/16"	3/16"	0"	1/4"

Note :
When connecting wall cladding boards at the ends, please consider Resysta Expansion.

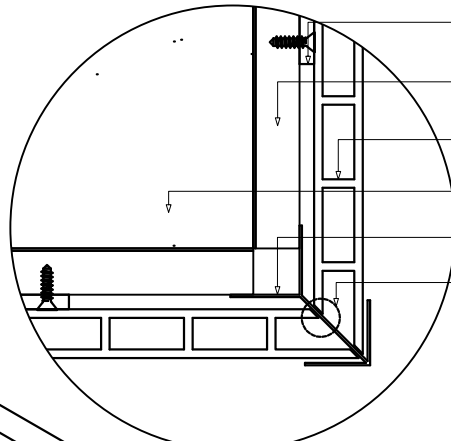


CONTACT PHONE: 503-360-9551 E-MAIL: sales@hdgbuildingmaterials.com WEB: hdgbuildingmaterials.com	TITLE ALUMINUM TRIM VERTICAL CLADDING SUB-DETAIL	SHEET CONTENT ISOMETRIC VIEW BLOW-UP ELEVATION TOP VIEW	
	SPECIFICATION TYPICAL DRAWING DETAIL	DRAWING NO. ATVCD-03	DATE 14.02.23
		CAD BY:	CHECKED BY:

DIMENSION LEGEND

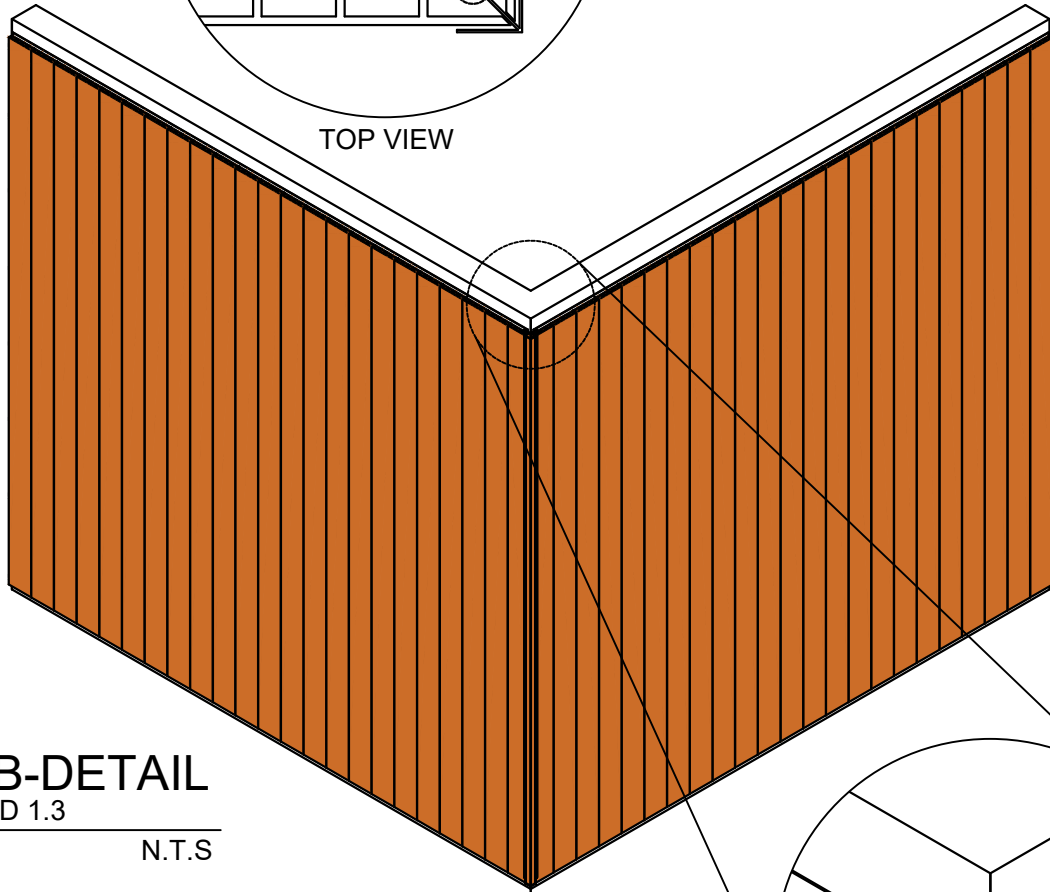
Millimeter (mm)

Inches (") / Foot (')



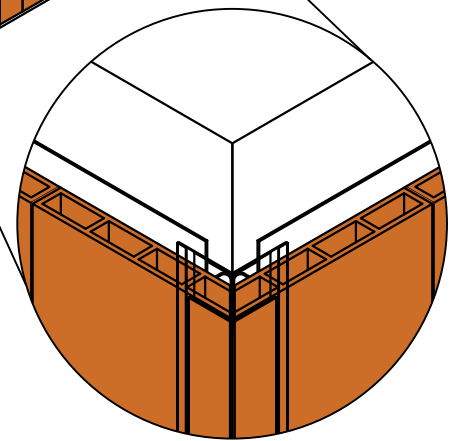
- RESCLIPHF100A Facade Clip
- Reverse RESFHTC10BA
- Facade Hat Channel
- RESP340612 Cladding (4CH)
- Existing Wall
- RESFOC10 Facade Outside Corner
- Gap_ Refer to Table 1.4

TOP VIEW



ISOMETRIC VIEW

SUB-DETAIL
ATVCD 1.3
N.T.S



BLOW-UP ISOMETRIC

Table 1.4 "Resysta Expansion"

Resysta Wall Cladding Board Gap Guide					
	Aluminum Trim Gap of Wall cladding Board				H-Channel Gap
Temperature at Installation	Below 30 OF	60 OF	90 OF	120 OF	
Amount for Wall cladding Profile - Length of 12 ft.	7/16"	5/16"	3/16"	0"	1/4"

Note :

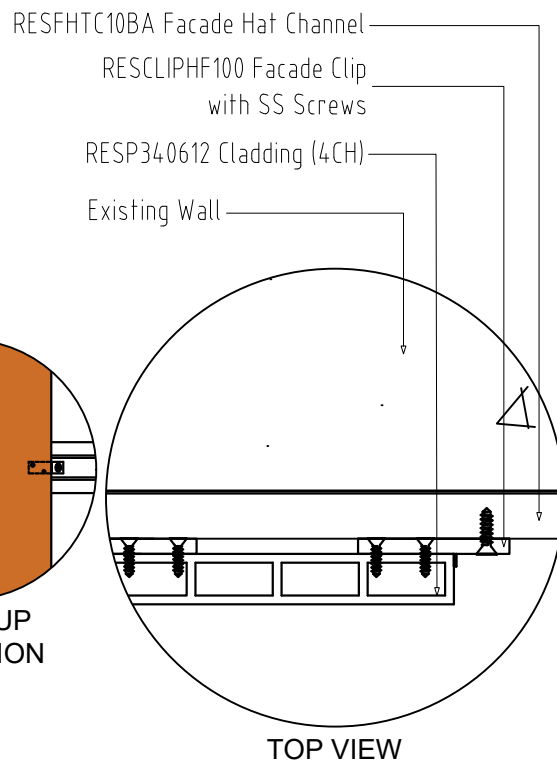
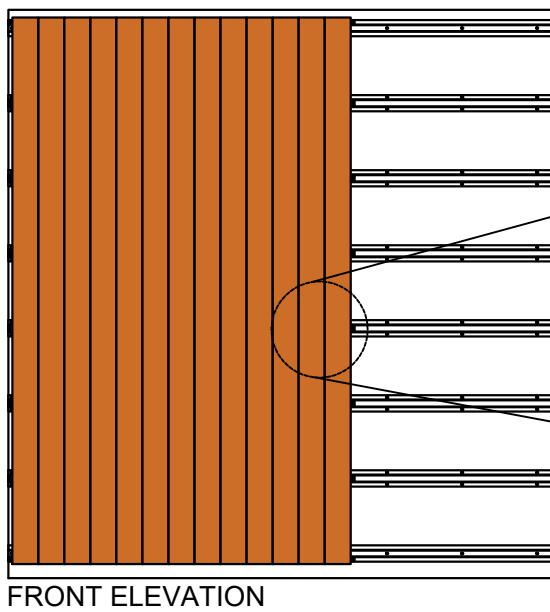
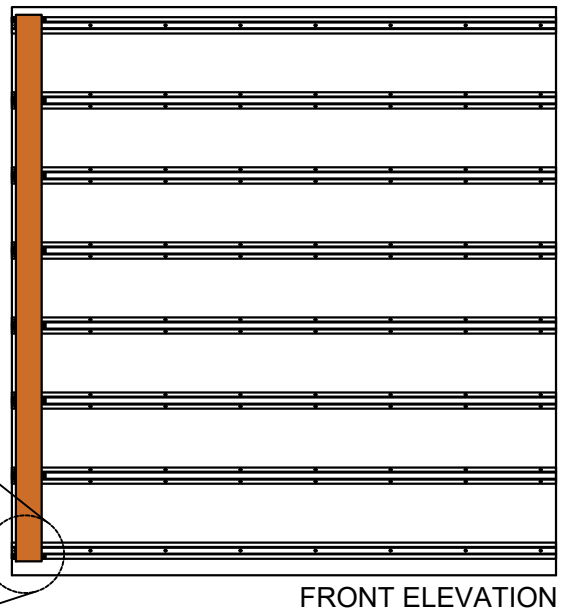
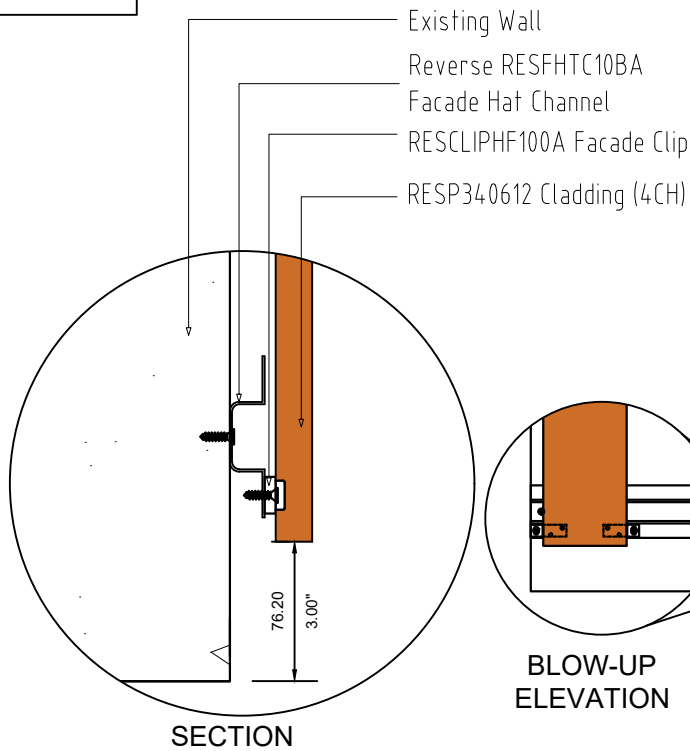
Outside corner trim should be pre applied prior to installing wall cladding boards. The wall cladding board end that is inserted into the outside corner should be miter cut at a 45 degree angle to match up with the outside corner internal web. Follow the gap guide when installing the wall cladding board to allow for expansion and contraction within the outside corner trim



CONTACT PHONE: 503-360-9551 E-MAIL: sales@hdgbuildingmaterials.com WEB: hdgbuildingmaterials.com	TITLE ALUMINUM TRIM VERTICAL CLADDING SUB-DETAIL	SHEET CONTENT	
	SPECIFICATION TYPICAL DRAWING DETAIL	ELEVATION	
		BLOW-UP ELEVATION	
		SECTION	
		ISOMETRIC VIEW	
		DRAWING NO.	DATE
		ATVCD-03	14.02.23
		CAD BY:	CHECKED BY:

DIMENSION LEGEND

Millimeter (mm)
Inches (") / Foot (')



SUB-DETAIL
ATVCD 1.4
N.T.S

Note:

Each HF Clip requires 3 screws. Two are #8 x 1/2" SMS screws to attach the Clip to the Resysta Wall Cladding board and one is to attach the wall cladding board with the clip to the battens.



CONTACT PHONE: 503-360-9551 E-MAIL: sales@hdgbuildingmaterials.com WEB: hdgbuildingmaterials.com	TITLE ALUMINUM TRIM VERTICAL CLADDING SUB-DETAIL	SHEET CONTENT	
	SPECIFICATION TYPICAL DRAWING DETAIL	FRONT ELEVATION BLOW-UP ELEVATION SECTION TOP VIEW	DRAWING NO. ATVCD-05
		CAD BY:	CHECKED BY: