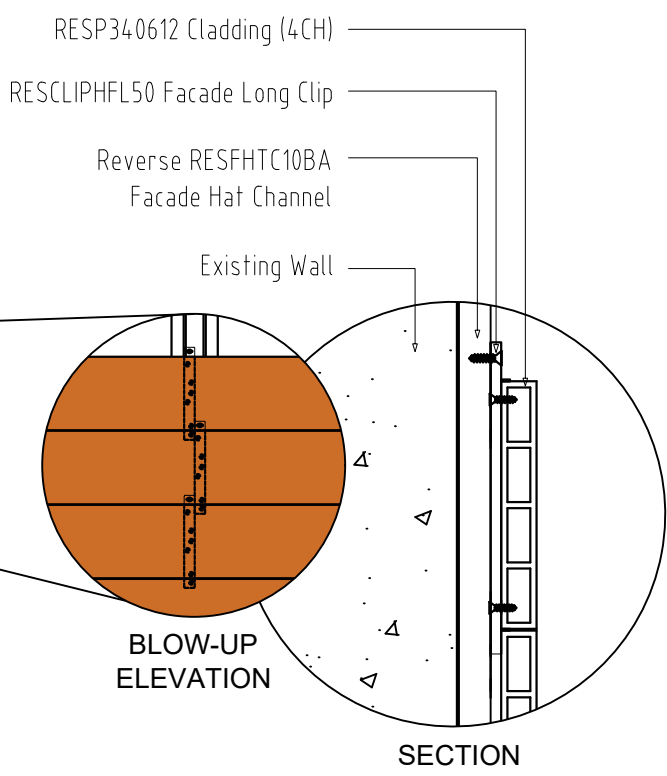
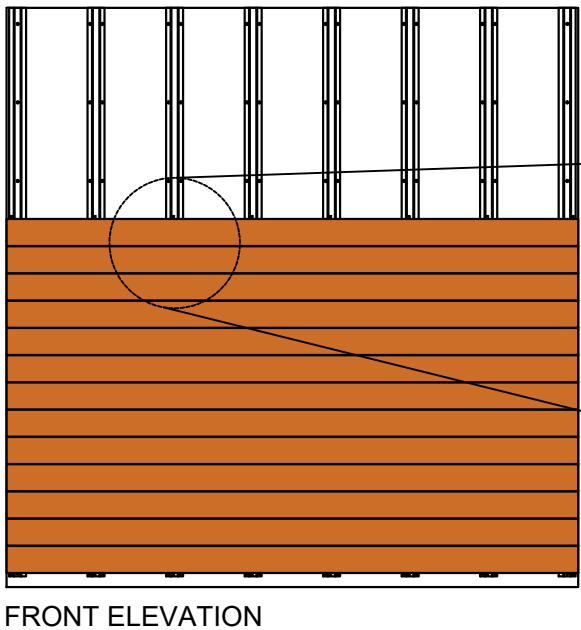
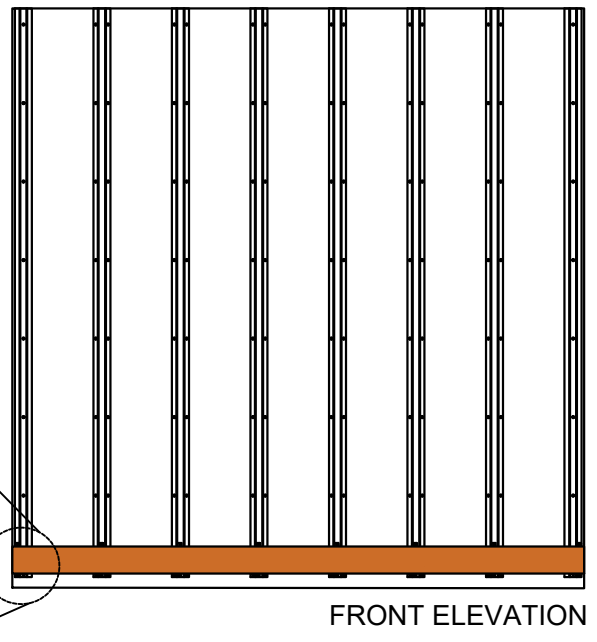
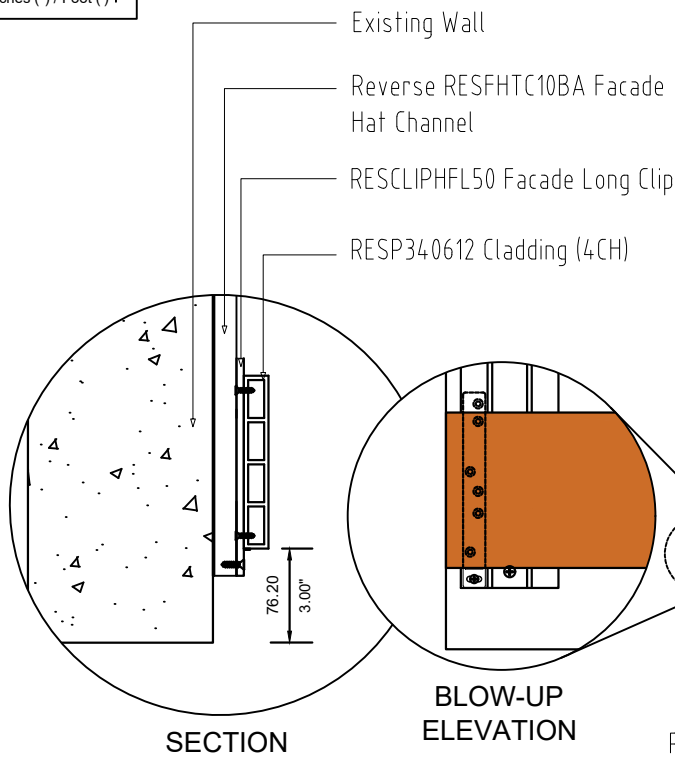


CONTACT	TITLE	SPECIFICATION	SHEET CONTENT	SHEET SIZE	DRAWING NO.
PHONE: 503-360-9551 E-MAIL: sales@hdgbuildingmaterials.com WEB: hdgbuildingmaterials.com	BUTT JOINT HORIZONTAL CLADDING FOR HF LONG CLIP DETAIL	TYPICAL DRAWING DETAIL CAD BY: _____ CHECKED BY: _____	ISOMETRIC VIEW BLOW-UP DETAIL	A3 DATE: 03.01.23	BJHCD-LC-01 REVISION: 0

DIMENSION LEGEND
 Millimeter (mm)
 Inches (") / Foot (')



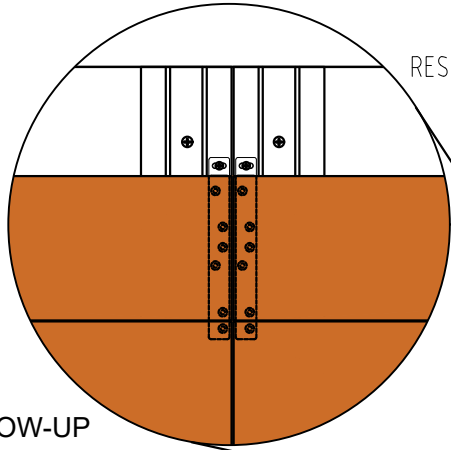
SUB-DETAIL
 BJHCD-LC-1.1
 N.T.S

Note:
 Each HF Clip requires 3 screws. Two are #8 x 1/2" SMS screws to attach the Clip to the Resysta Wall Cladding board and one is to attach the wall cladding board with the clip to the battens.



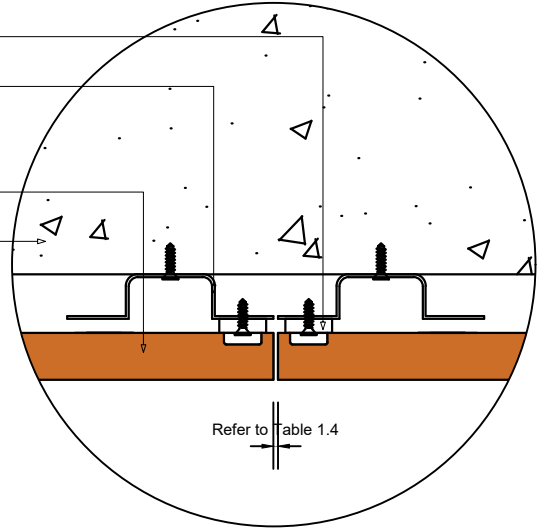
CONTACT PHONE: 503-360-9551 E-MAIL: sales@hdgbuildingmaterials.com WEB: hdgbuildingmaterials.com	TITLE BUTT JOINT HORIZONTAL CLADDING HF LONG CLIP SUB-DETAIL	SHEET CONTENT ELEVATION BLOW-UP DETAIL SECTION	
	SPECIFICATION TYPICAL DRAWING DETAIL	DRAWING NO. BJHCD-LC-02	DATE 03.01.23
		CAD BY:	CHECKED BY:

DIMENSION LEGEND
 Millimeter (mm)
 Inches (") / Foot (')



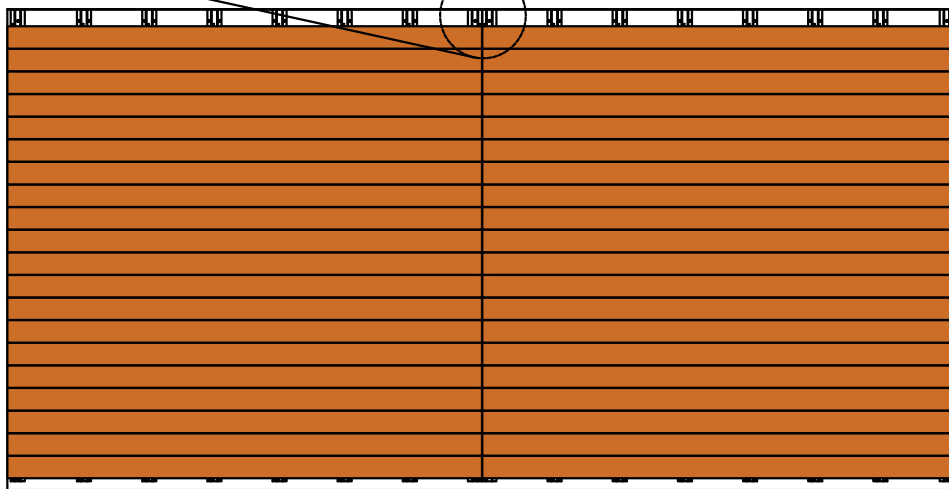
BLOW-UP ELEVATION

RESCLIPHFL50 Facade Long Clip
 Reverse RESFHTC10BA Facade Hat Channel
 RESP34-0612 Cladding (4CH)
 Existing Wall



Refer to Table 1.4

TOP VIEW

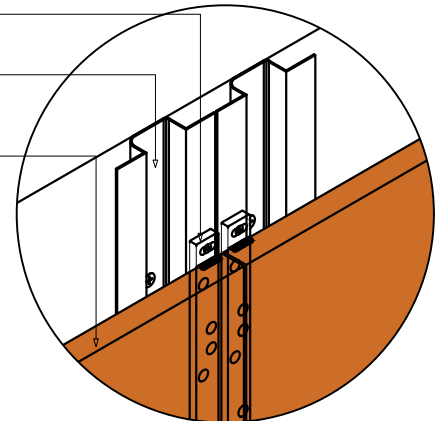


FRONT ELEVATION

SUB-DETAIL
 BJHCD-LC-1.2

N.T.S

RESCLIPHFL50 Facade Long Clip
 Reverse RESFHTC10BA Facade Hat Channel
 RESP34-0612 Cladding (4CH)



ISOMETRIC VIEW

Table 1.4 "Resysta Expansion"

Resysta Wall Cladding Board Gap Guide					
Temperature at Installation	Gap of Wall Cladding Board				Multi Board Gap
	Below 30°F	60°F	90°F	120°F	
Amount for Wall cladding Profile - Length of 12 ft.	7/16"	5/16"	3/16"	0"	1/4"

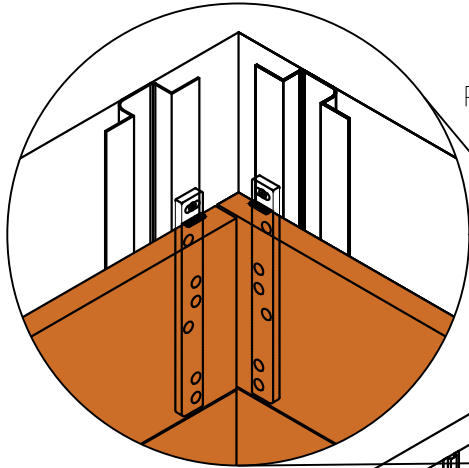
Note :

This is an option for installation using 3 or more boards abutted end-to-end. When connecting wall cladding boards at the ends, please consider Resysta Expansion.



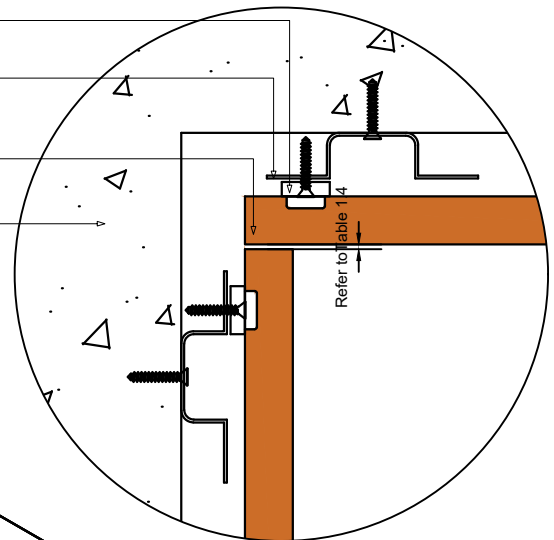
CONTACT	TITLE	SHEET CONTENT	
PHONE: 503-360-9551	BUTT JOINT HORIZONTAL CLADDING HF LONG CLIP SUB-DETAIL	ELEVATION	
E-MAIL: sales@hdgbuildingmaterials.com		BLOW-UP DETAIL	
WEB: hdgbuildingmaterials.com	SPECIFICATION	TOP VIEW	
	TYPICAL DRAWING DETAIL	DRAWING NO. BJHCD-LC-03	DATE 03.01.23
		CAD BY:	CHECKED BY:

DIMENSION LEGEND
 Millimeter (mm)
 Inches (") / Foot (')

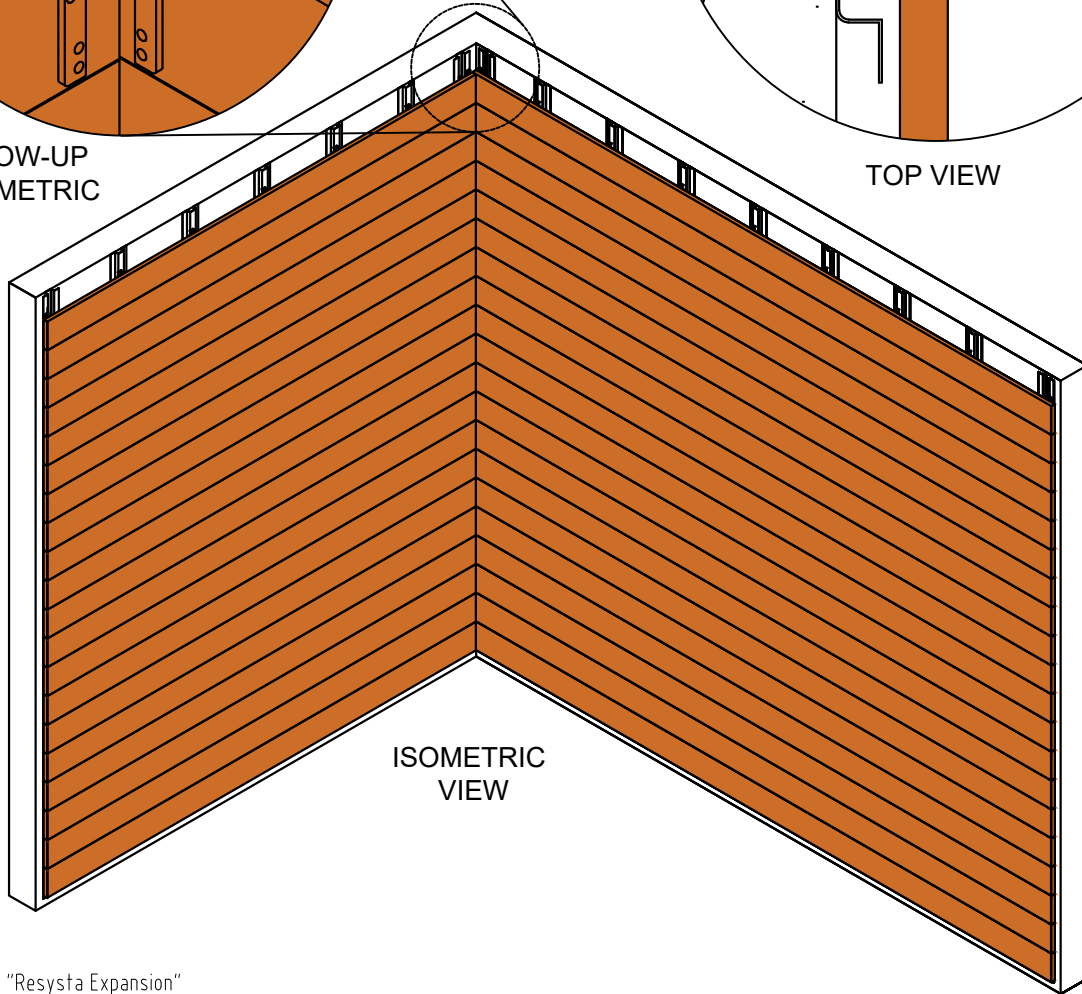


BLOW-UP ISOMETRIC

RESCLIPHFL50 Facade Long Clip
 Reverse RESFHTC10BA Facade Hat Channel
 RESP340612 Cladding (4CH)
 Existing Wall



TOP VIEW



ISOMETRIC VIEW

Table 1.4 "Resysta Expansion"

Resysta Wall Cladding Board Gap Guide					
Temperature at Installation	Gap of Wall Cladding Board				Multi Board Gap
	Below 30°F	60°F	90°F	120°F	
Amount for Wall cladding Profile - Length of 12 ft.	7/16"	5/16"	3/16"	0"	1/4"

SUB-DETAIL
 BJHCD-LC-1.3

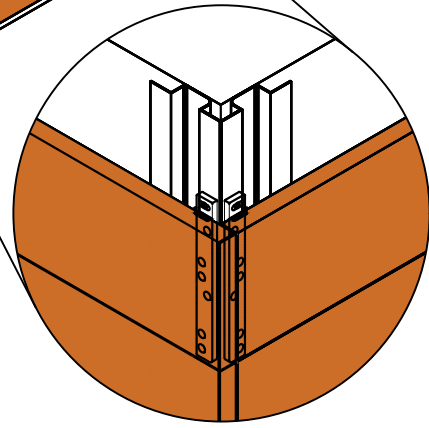
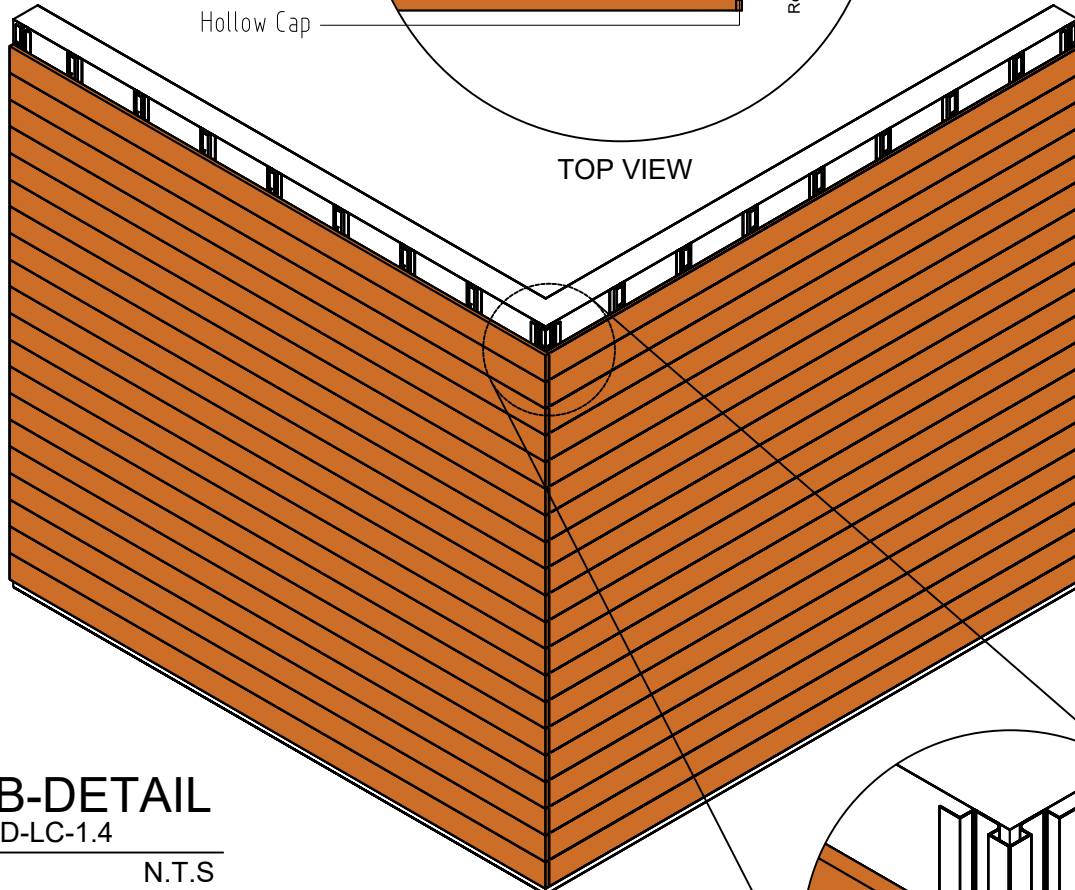
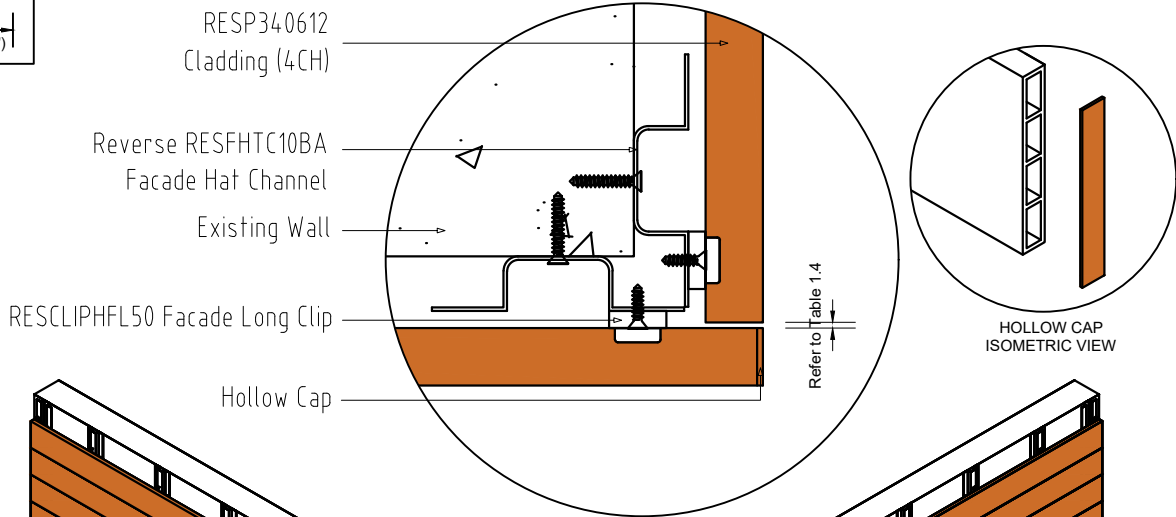
N.T.S

Note :
 When connecting wall cladding boards at the ends, please consider Resysta Expansion.



CONTACT PHONE: 503-360-9551 E-MAIL: sales@hdgbuildingmaterials.com WEB: hdgbuildingmaterials.com	TITLE BUTT JOINT HORIZONTAL CLADDING HF LONG CLIP SUB-DETAIL	SHEET CONTENT ISOMETRIC VIEW BLOW-UP DETAIL TOP VIEW	
	SPECIFICATION TYPICAL DRAWING DETAIL	DRAWING NO. BJHCD-LC-04	DATE 03.01.23
		CAD BY:	CHECKED BY:

DIMENSION LEGEND	
Millimeter (mm)	←→
Inches (") / Foot (')	←→



SUB-DETAIL

BJHCD-LC-1.4

N.T.S

Table 1.4 "Resysta Expansion"

Resysta Wall Cladding Board Gap Guide					
Temperature at Installation	Gap of Wall Cladding Board				Multi Board Gap
	Below 30°F	60°F	90°F	120°F	
Amount for Wall cladding Profile - Length of 12 ft.	7/16"	5/16"	3/16"	0"	1/4"

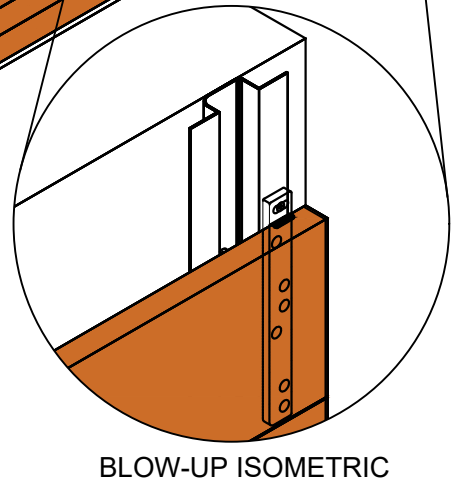
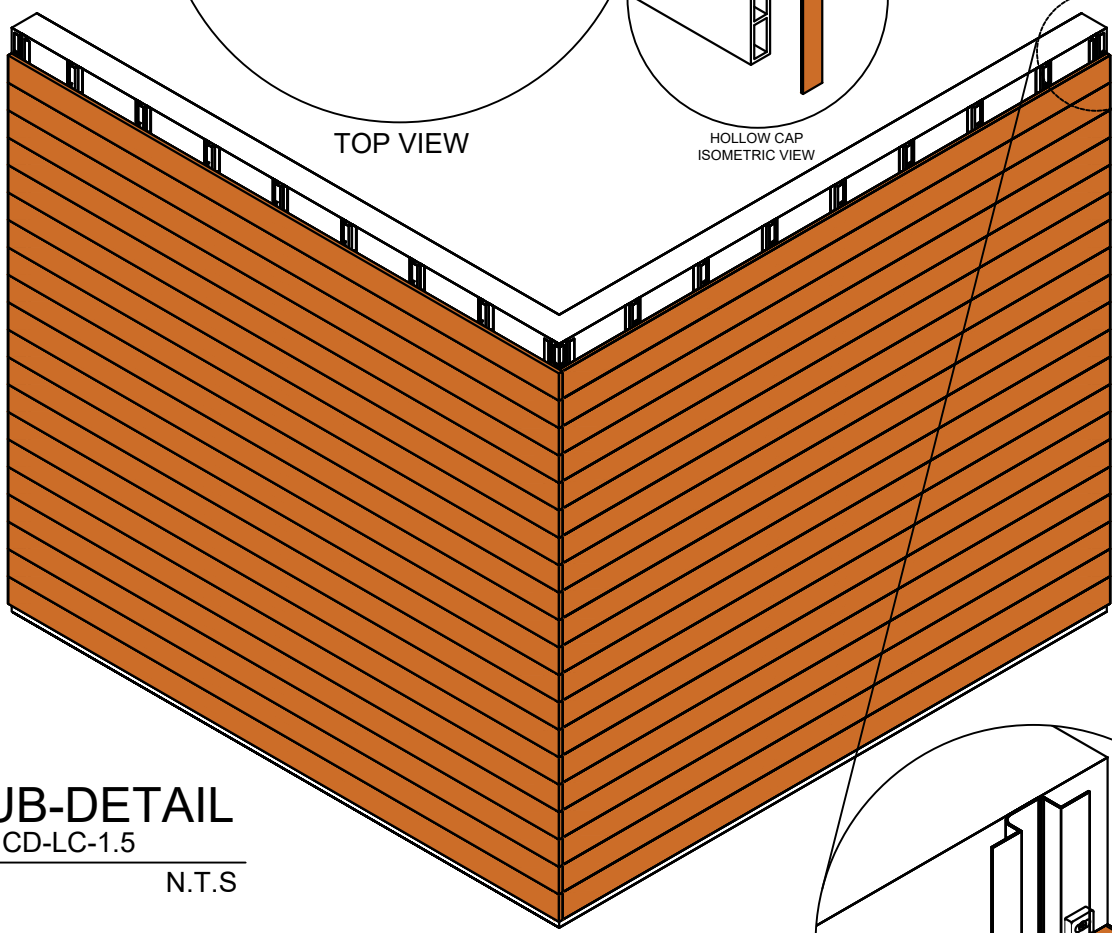
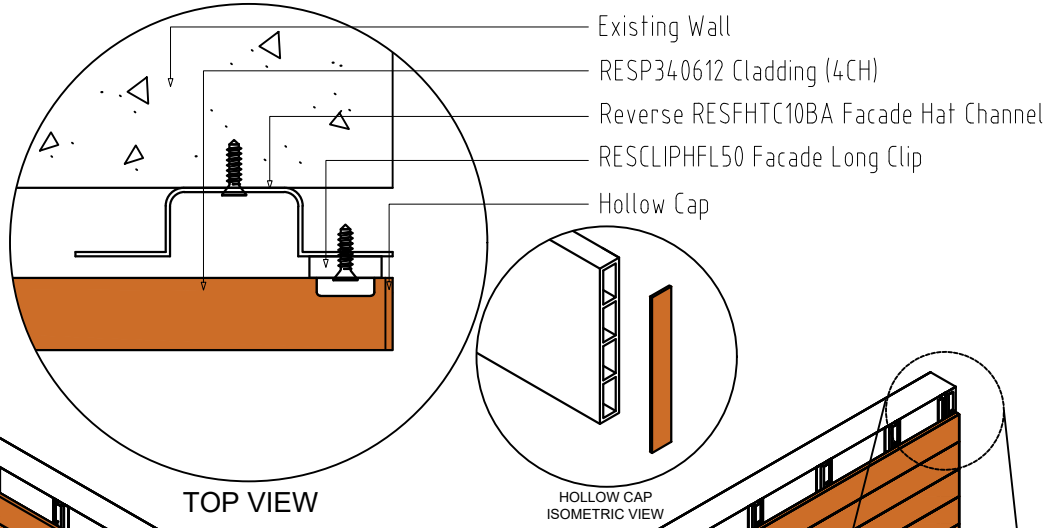
Note :

Remove adhesive strip cover film. Center Hollow Cap on the end of the plank and apply with firm pressure all around the center supports.



CONTACT PHONE: 503-360-9551 E-MAIL: sales@hdgbuildingmaterials.com WEB: hdgbuildingmaterials.com	TITLE BUTT JOINT HORIZONTAL CLADDING HF LONG CLIP SUB-DETAIL	SHEET CONTENT ISOMETRIC VIEW BLOW-UP DETAIL TOP VIEW	
	SPECIFICATION TYPICAL DRAWING DETAIL	DRAWING NO. BJHCD-LC-05	DATE 03.01.23
		CAD BY:	CHECKED BY:

DIMENSION LEGEND
 Millimeter (mm)
 Inches (") / Foot (')



SUB-DETAIL
 BJHCD-LC-1.5
 N.T.S

ISOMETRIC VIEW

Table 1.4 "Resysta Expansion"

Resysta Wall Cladding Board Gap Guide					
Temperature at Installation	Gap of Wall Cladding Board				Multi Board Gap
	Below 30°F	60°F	90°F	120°F	
Amount for Wall cladding Profile - Length of 12 ft.	7/16"	5/16"	3/16"	0"	1/4"

BLOW-UP ISOMETRIC

Note :
 Be sure that all surfaces are clean and free of debris such as dust, dirt, oils and paints. Remove adhesive strip cover film. Center Hollow Cap on the end of the plank and apply with firm pressure all around the center supports.



CONTACT PHONE: 503-360-9551 E-MAIL: sales@hdgbuildingmaterials.com WEB: hdgbuildingmaterials.com	TITLE BUTT JOINT HORIZONTAL CLADDING HF LONG CLIP SUB-DETAIL	SHEET CONTENT ISOMETRIC VIEW BLOW-UP DETAIL TOP VIEW	
	SPECIFICATION TYPICAL DRAWING DETAIL	DRAWING NO. BJHCD-LC-06	DATE 03.01.23
		CAD BY:	CHECKED BY: