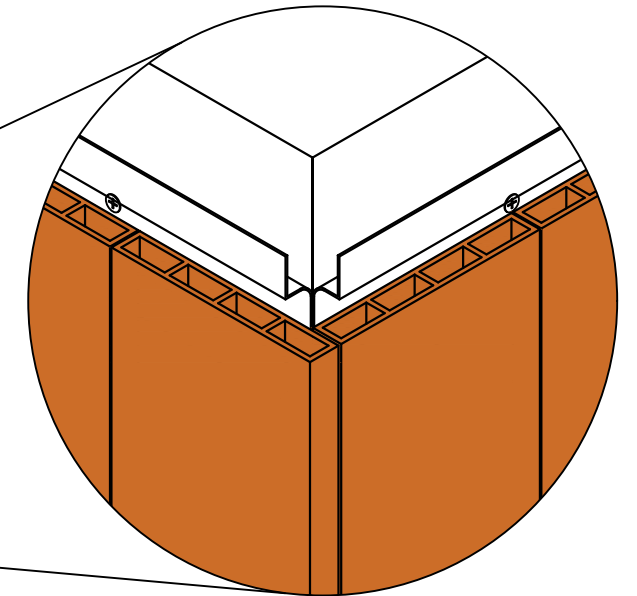
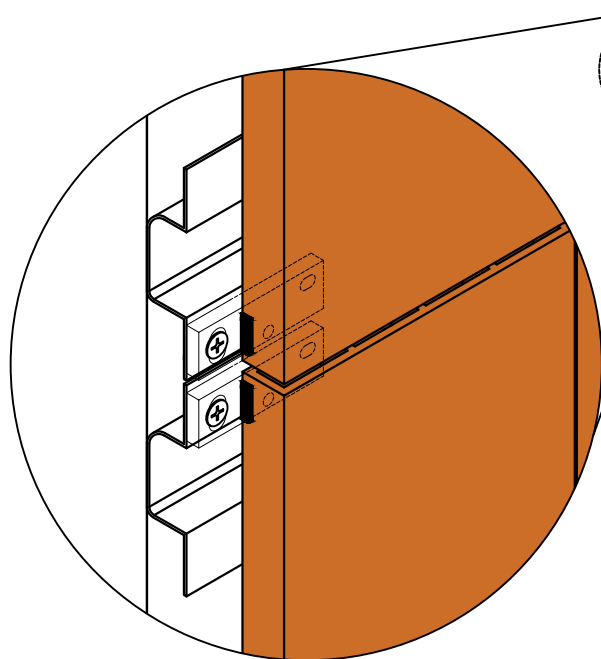


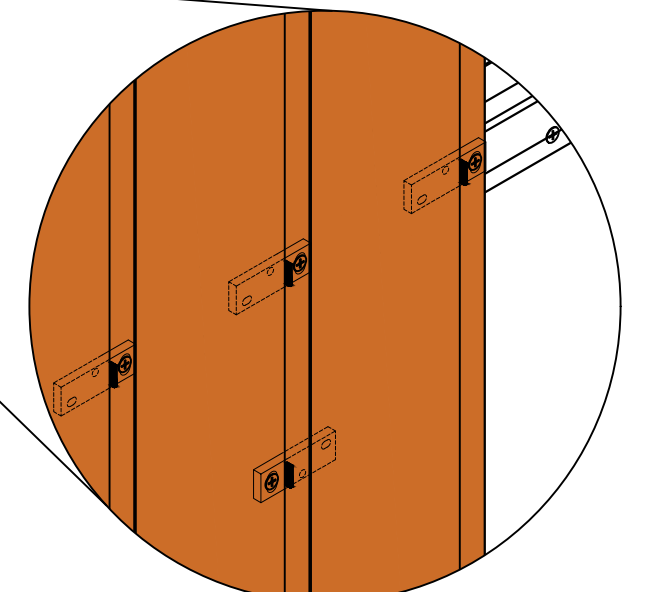
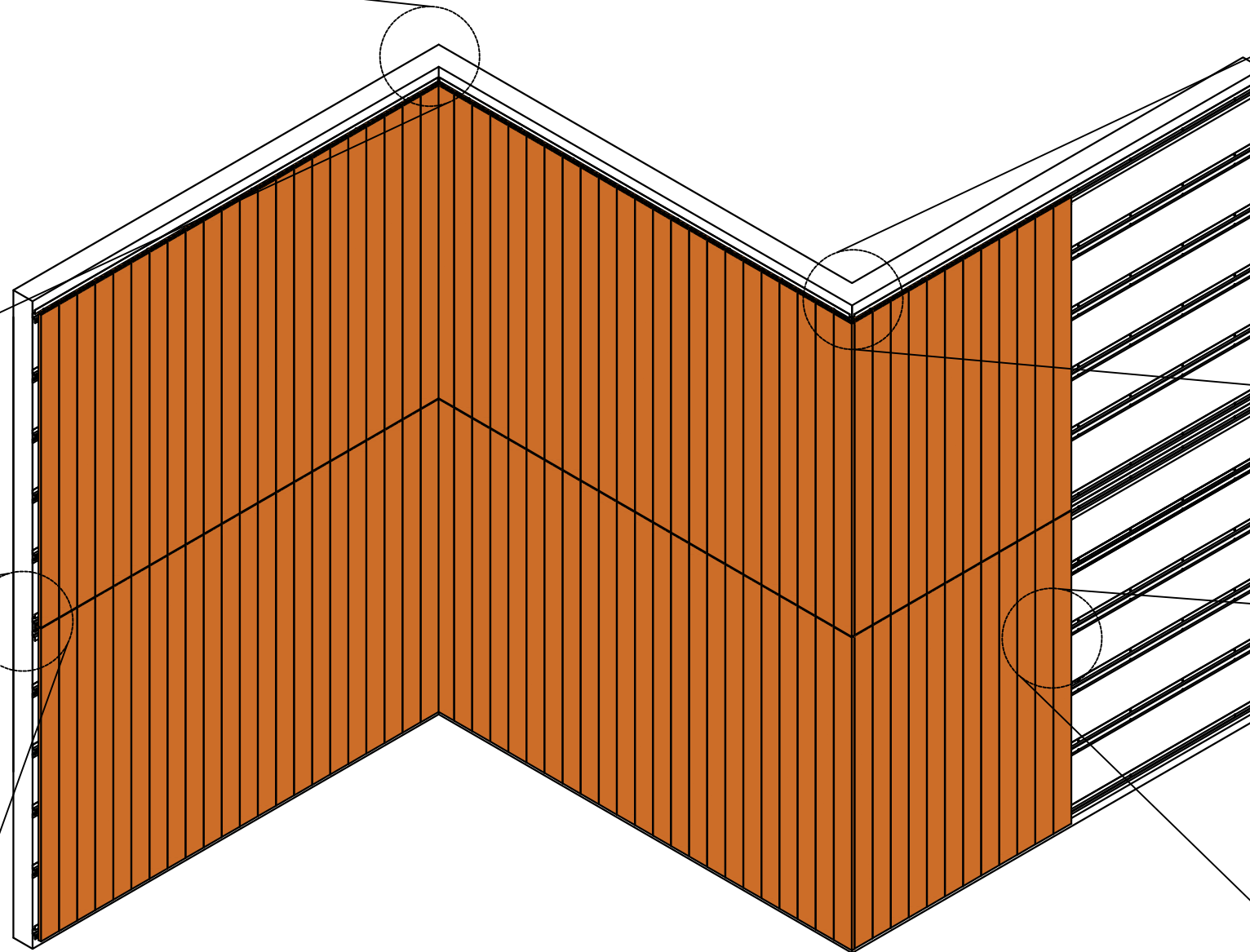
INSIDE CORNER
(SEE SUB-DETAIL BJVCD-1.2)



OUTSIDE CORNER
(SEE SUB-DETAIL BJVCD-1.3)



MULTI BOARD W/O ALUMINUM TRIM
(SEE SUB-DETAIL BJVCD-1.1)



FACADE CLIP
(SEE SUB-DETAIL BJVCD-1.4)

1
BJVCD-1

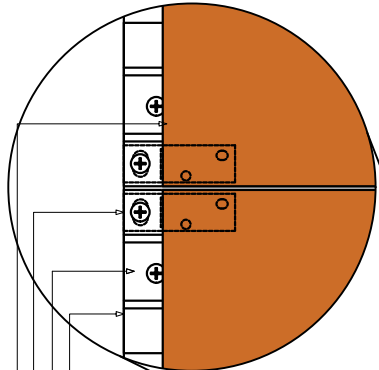
ISOMETRIC VIEW
BUTT JOINT VERTICAL CLADDING DETAIL (BJVCD)

N.T.S



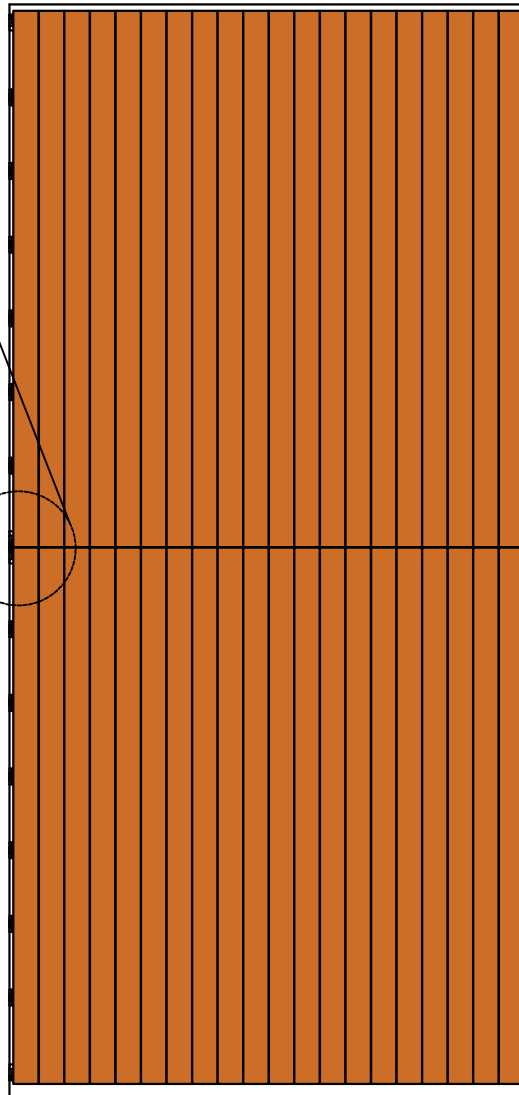
CONTACT	TITLE	SPECIFICATION	SHEET CONTENT	SHEET SIZE	DRAWING NO.
PHONE: 503-360-9551 E-MAIL: sales@hdgbuildingmaterials.com WEB: hdgbuildingmaterials.com	BUTT JOINT VERTICAL CLADDING DETAIL	TYPICAL DRAWING DETAIL	ISOMETRIC VIEW	A3	BJVCD-01
			BLOW-UP DETAIL		
		CAD BY:	CHECKED BY:	DATE	REVISION
				03.01.23	0

DIMENSION LEGEND
 Millimeter (mm)
 Inches (") / Foot (')

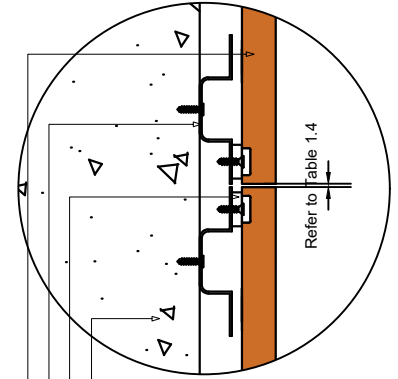


BLOW-UP ELEVATION

- Existing Wall
- Reverse RESFHTC10BA Facade Hat Channel
- RESCLIPHF100A Facade Clip
- RESP340612 Cladding (4CH)

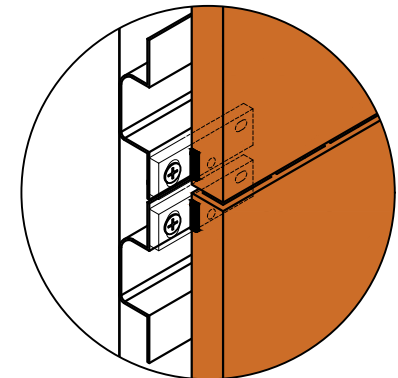


FRONT ELEVATION



SECTION

- Existing Wall
- RESCLIPHF100A Facade Clip
- Reverse RESFHTC10BA Facade Hat Channel
- RESP340612 Cladding (4CH)



ISOMETRIC VIEW

SUB-DETAIL
 BJVCD 1.1

N.T.S

Table 1.4 "Resysta Expansion"

Resysta Wall Cladding Board Gap Guide					
Temperature at Installation	Gap of Wall Cladding Board				Multi Board Gap
	Below 30°F	60°F	90°F	120°F	
Amount for Wall cladding Profile - Length of 12 ft.	7/16"	5/16"	3/16"	0"	1/4"

Note :

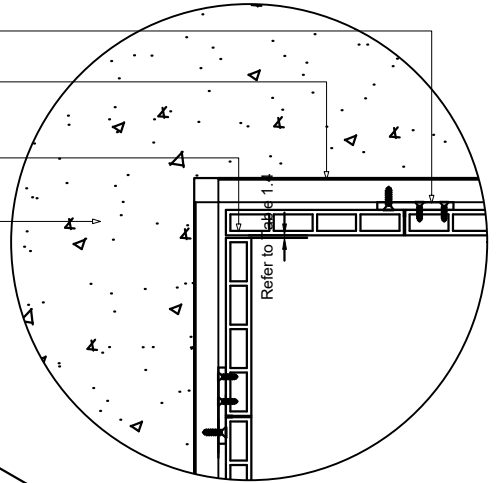
This is an option for installation using 3 or more boards abutted end-to-end. When connecting wall cladding boards at the ends, please consider Resysta Expansion.



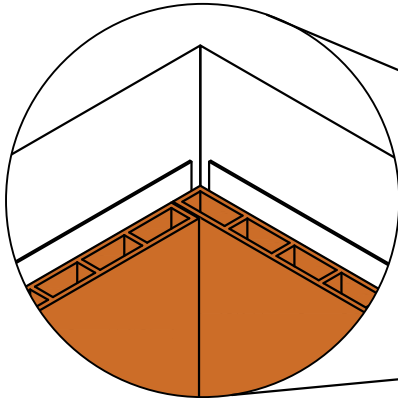
CONTACT PHONE: 503-360-9551 E-MAIL: sales@hdgbuildingmaterials.com WEB: hdgbuildingmaterials.com	TITLE BUTT JOINT VERTICAL CLADDING SUB-DETAIL	SHEET CONTENT ELEVATION BLOW-UP DETAIL SECTION	
	SPECIFICATION TYPICAL DRAWING DETAIL	DRAWING NO. BJVCD-02	DATE 03.01.23
		CAD BY:	CHECKED BY:

DIMENSION LEGEND
 Millimeter (mm)
 Inches (") / Foot (')

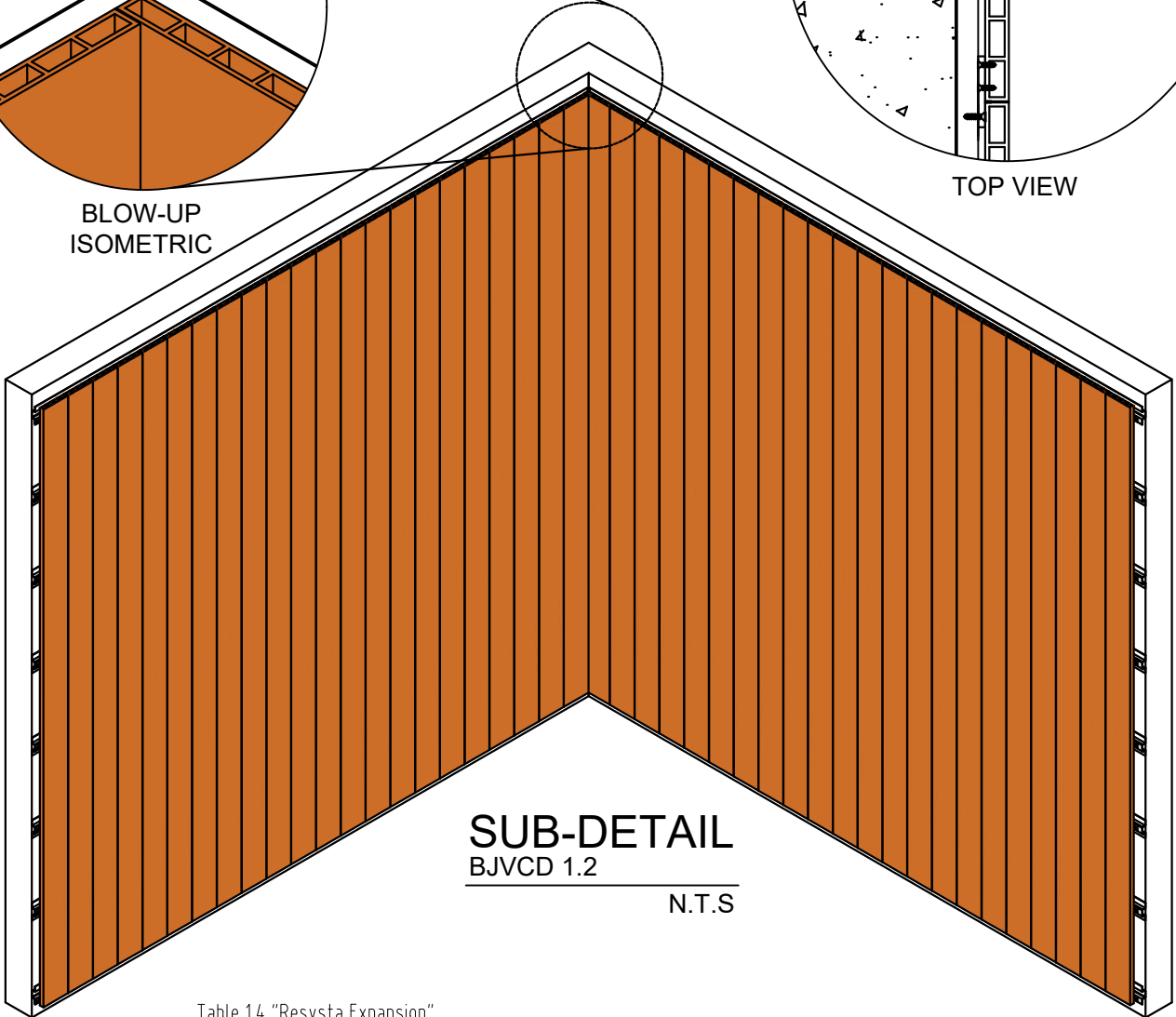
RESCLIPHF100A Facade Clip
 Reverse RESFHTC10BA
 Facade Hat Channel
 RESP340612 Cladding (4CH)
 Existing Wall



TOP VIEW



BLOW-UP
ISOMETRIC



SUB-DETAIL
 BJVCD 1.2
 N.T.S

ISOMETRIC
VIEW

Table 1.4 "Resysta Expansion"

Resysta Wall Cladding Board Gap Guide					
Temperature at Installation	Gap of Wall Cladding Board				Multi Board Gap
	Below 30°F	60°F	90°F	120°F	
Amount for Wall cladding Profile - Length of 12 ft.	7/16"	5/16"	3/16"	0"	1/4"

Note :
 When connecting wall cladding boards at the ends, please consider Resysta Expansion.

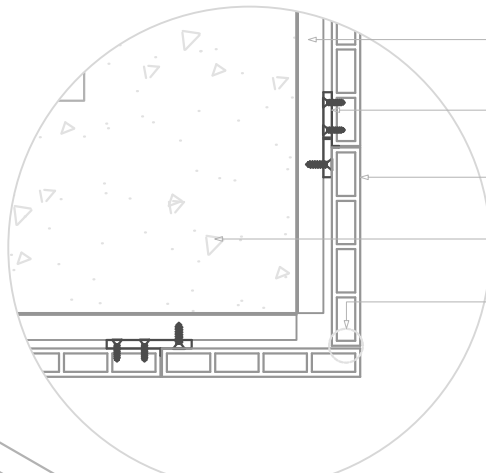


CONTACT PHONE: 503-360-9551 E-MAIL: sales@hdgbuildingmaterials.com WEB: hdgbuildingmaterials.com	TITLE BUTT JOINT VERTICAL CLADDING SUB-DETAIL	SHEET CONTENT ISOMETRIC VIEW BLOW-UP DETAIL TOP VIEW	
	SPECIFICATION TYPICAL DRAWING DETAIL	DRAWING NO. BJVCD-03	DATE 03.01.23
		CAD BY:	CHECKED BY:

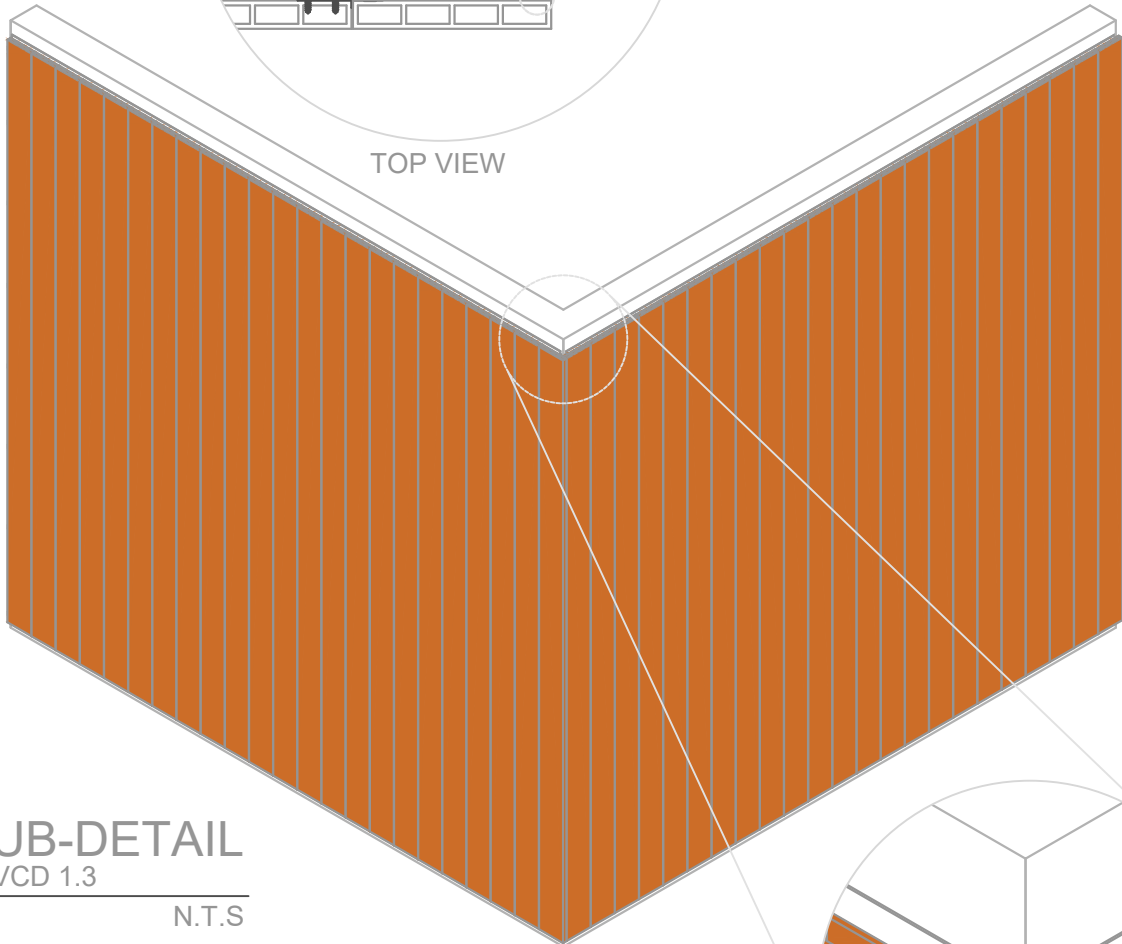
DIMENSION LEGEND

Millimeter (mm)

Inches (") / Foot (')

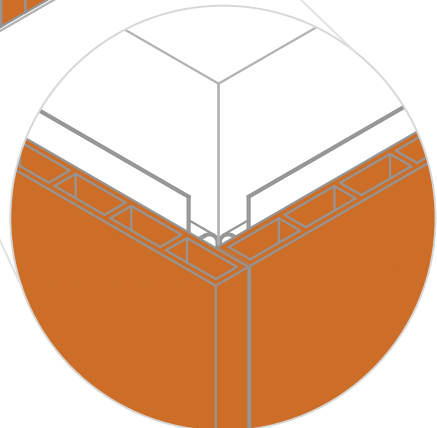


- Reverse RESFHTC10BA Facade Hat Channel
- RESCLIPHF100A Facade Clip
- RESP34-0612 Cladding (4CH)
- Existing Wall
- Gap_ Refer to Table 1.4



TOP VIEW

ISOMETRIC VIEW



BLOW-UP ISOMETRIC

SUB-DETAIL

BJVCD 1.3

N.T.S

Table 1.4 "Resysta Expansion"

Resysta Wall Cladding Board Gap Guide					
Temperature at Installation	Gap of Wall Cladding Board				Multi Board Gap
	Below 30°F	60°F	90°F	120°F	
Amount for Wall cladding Profile - Length of 12 ft.	7/16"	5/16"	3/16"	0"	1/4"

Note :

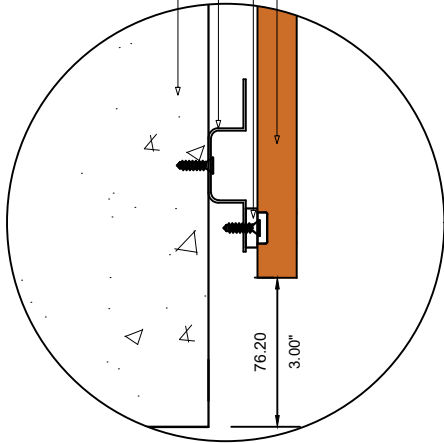
When connecting wall cladding boards at the ends, please consider Resysta Expansion.



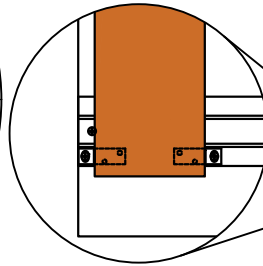
CONTACT PHONE: 503-360-9551 E-MAIL: sales@hdgbuildingmaterials.com WEB: hdgbuildingmaterials.com	TITLE BUTT JOINT VERTICAL CLADDING SUB-DETAIL	SHEET CONTENT ISOMETRIC VIEW BLOW-UP DETAIL TOP VIEW	
	SPECIFICATION TYPICAL DRAWING DETAIL	DRAWING NO. BJVCD-04	DATE 03.01.23
		CAD BY:	CHECKED BY:

DIMENSION LEGEND	
Millimeter (mm)	Inches (") / Foot (')

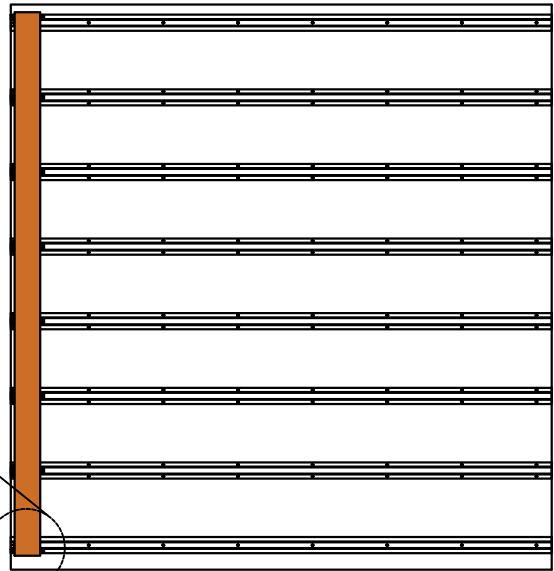
- Existing Wall
- Reverse RESFHTC10BA Facade Hat Channel
- RESCLIPHF100A Facade Clip
- RESP340612 Cladding (4CH)



SECTION

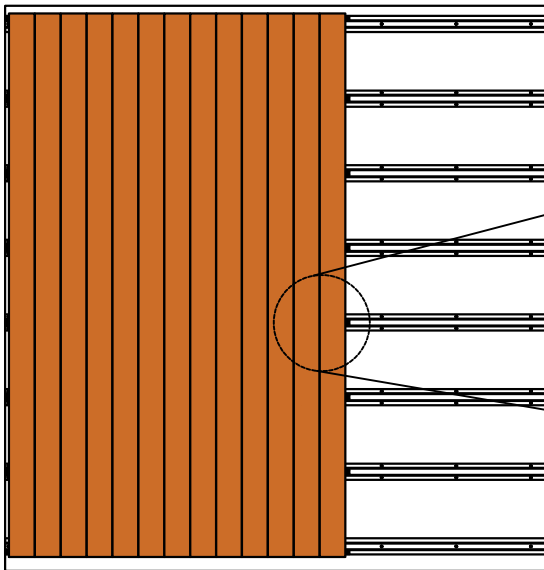


BLOW-UP ELEVATION

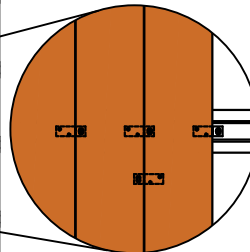


FRONT ELEVATION

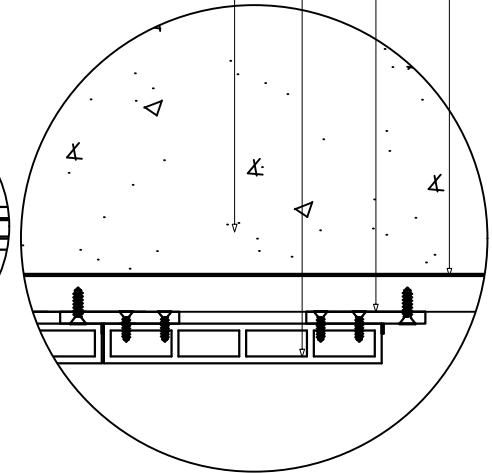
- RESFHTC10BA Facade Hat Channel
- RESCLIPHF100 Facade Clip with SS Screws
- RESP340612 Cladding (4CH)
- Existing Wall



FRONT ELEVATION



BLOW-UP ELEVATION



TOP VIEW

Note:

Each HF Clip requires 3 screws. Two are #8 x 1/2" SMS screws to attach the Clip to the Resysta Wall Cladding board and one is to attach the wall cladding board with the clip to the battens.

SUB-DETAIL

BJVCD 1.4

N.T.S



CONTACT PHONE: 503-360-9551 E-MAIL: sales@hdgbuildingmaterials.com WEB: hdgbuildingmaterials.com	TITLE BUTT JOINT VERTICAL CLADDING SUB-DETAIL	SHEET CONTENT ISOMETRIC VIEW BLOW-UP DETAIL TOP VIEW SECTION	
	SPECIFICATION TYPICAL DRAWING DETAIL	DRAWING NO. BJVCD-05 CAD BY:	DATE 03.01.23 CHECKED BY: