

STARTER CLIP W/  
STAINLESS STEEL SCREW  
(SEE SUB-DETAIL DBD-1.2)

RESYSTA DECKING BOARD  
(SEE SUB-DETAIL DBD-1.1)

FINISHING SUGGESTIONS  
(SEE SUB-DETAIL DBD-1.4)

VINYL CLIP W/ STAINLESS STEEL SCREW  
(SEE SUB-DETAIL DBD-1.3)

**1**  
**DBD-1**

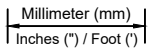
**ISOMETRIC VIEW**  
DECKING BOARD DETAIL (DBD)

N.T.S



CONTACT  PHONE: 503-360-9551  E-MAIL: sales@hdgbuildingmaterials.com  WEB: hdgbuildingmaterials.com	TITLE  DECKING BOARD DETAIL	SPECIFICATION  TYPICAL DRAWING DETAIL	SHEET CONTENT ISOMETRIC VIEW BLOW-UP DETAIL	SHEET SIZE A3  DATE 03.01.23	DRAWING NO. DBD-01  REVISION 0	
		CAD BY: CHECKED BY:				

**DIMENSION LEGEND**



RESCLIPSS125 Start/End  
Clip w/ Screw

Resysta Decking Profile

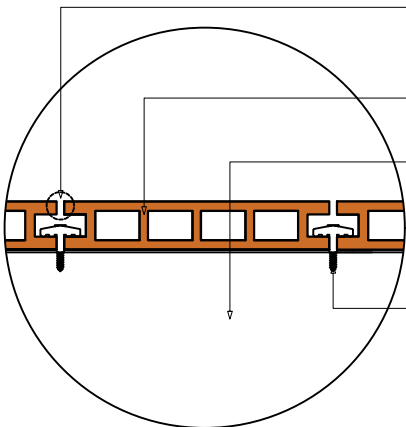
Substructure

Gap\_ Refer to  
Table 1.3

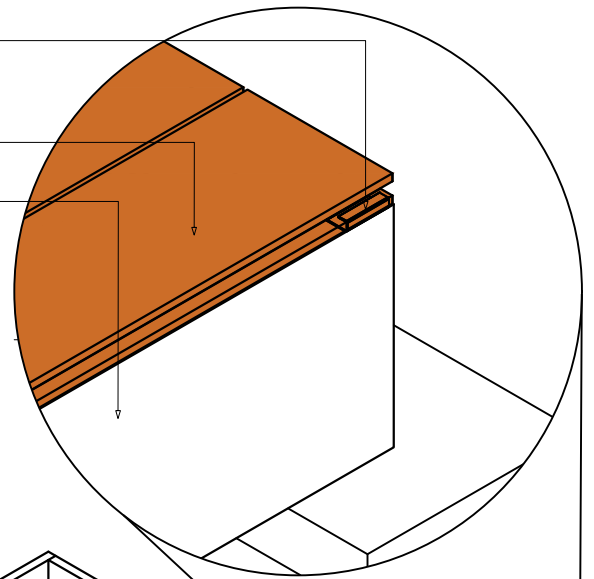
Resysta Decking Profile

Substructure

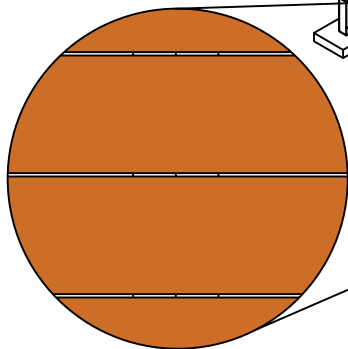
RESCLIPS200  
Decking Clip



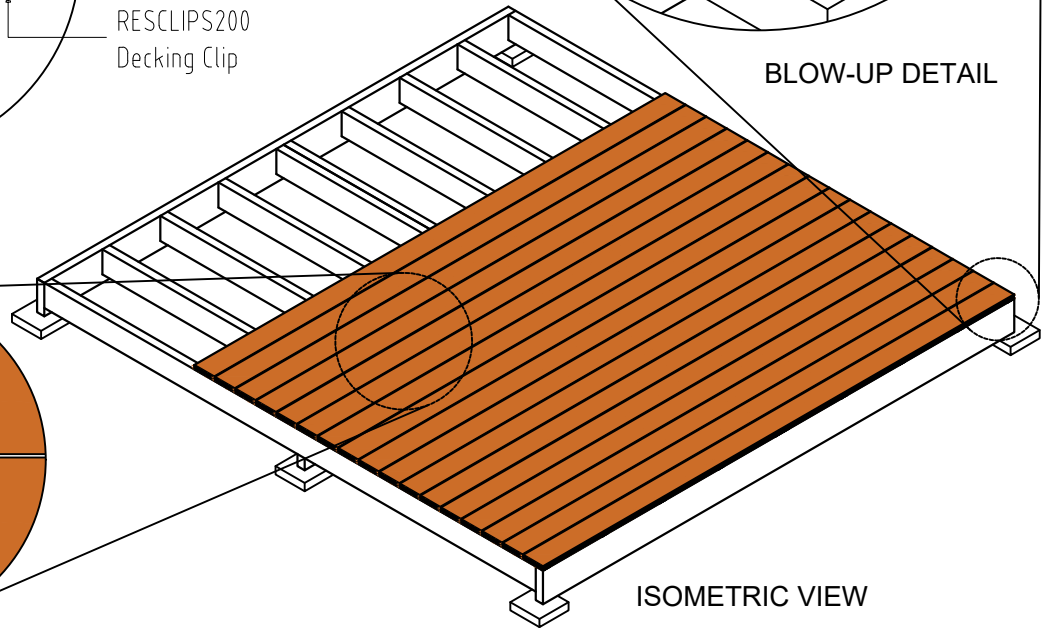
**SECTION**



**BLOW-UP DETAIL**



**TOP VIEW**



**ISOMETRIC VIEW**

**SUB-DETAIL**

DBD 1.1

N.T.S

Table 13 "Resysta Expansion"

Resysta Decking Board Gap Guide					
Temperature at Installation	End-to-End of Decking Boards				Wall
	Below 30°F	60°F	90°F	120°F	
Amount for Decking Profile - Length of 12 ft.	7/16"	1/4"	1/16"	0"	1/4"
Amount for Decking Profile - Length of 16 ft.	9/16"	3/8"	3/16"	0"	5/8"

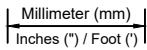
**Note:**

*Proper planning of the deck layout is essential for ease of installation of deck boards and deck components. Thoroughly read the following deck assembly instructions and obtain all necessary building permits prior to starting your installation. Always consider linear expansion of Resysta profiles during the installation of decking products. If temperatures fluctuate during the installation the gaps placed between the ends of the boards and the ends of a wall or fascia board must change with the temperature.*



CONTACT  PHONE: 503-360-9551  E-MAIL: sales@hdgbuildingmaterials.com  WEB: hdgbuildingmaterials.com	TITLE	SHEET CONTENT	
	DECKING BOARD SUB-DETAIL	ISOMETRIC VIEW	
		TOP VIEW	
		SECTION	
SPECIFICATION  TYPICAL DRAWING DETAIL	BLOW-UP DETAIL		
	DRAWING NO.	DATE	
	DBD-02	03.01.23	
	CAD BY:	CHECKED BY:	

DIMENSION LEGEND

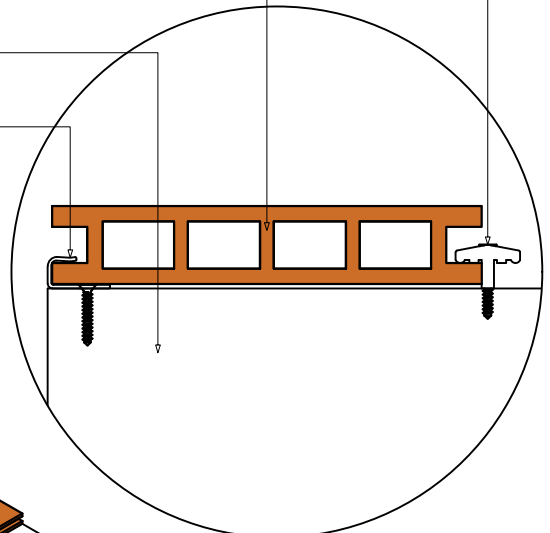
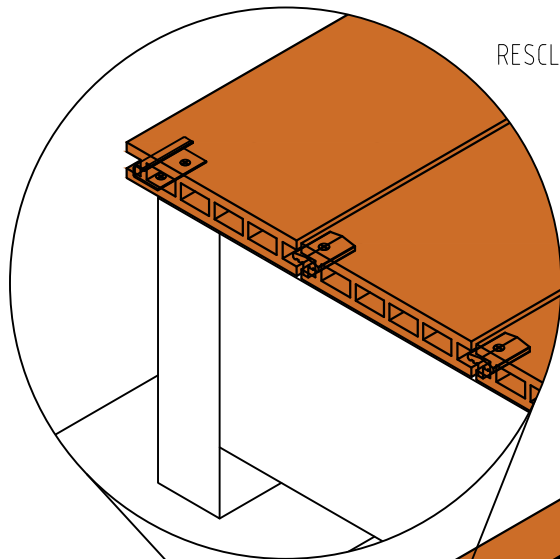


RESCLIPS200 Decking Clip

Resysta Decking Profile

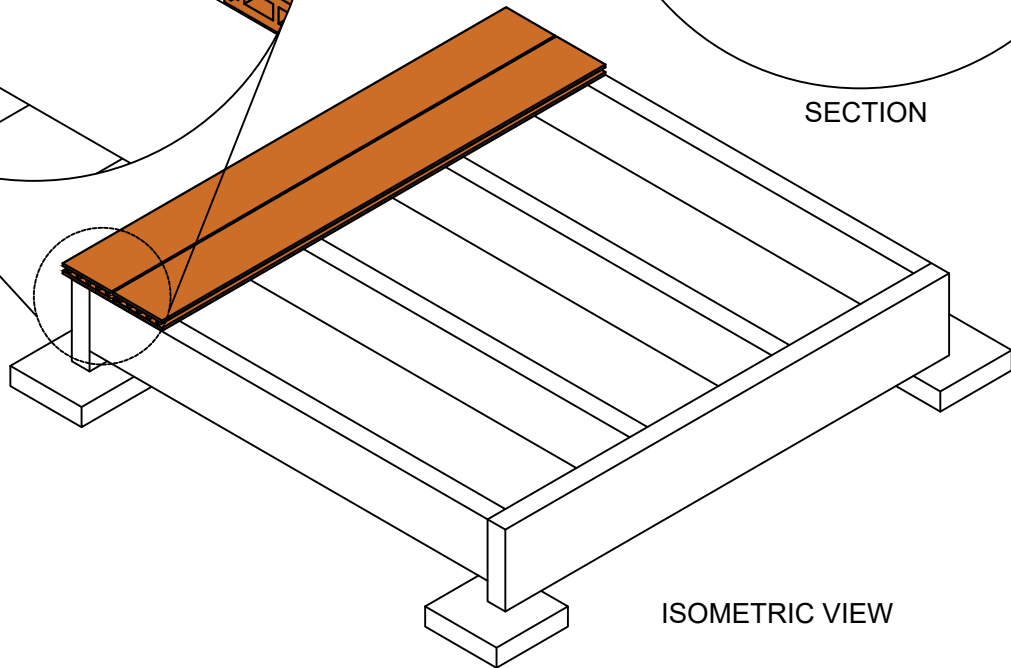
Substructure

RESCLIPSS125 Start/End  
Clip w/ Screw



SECTION

BLOW-UP  
ISOMETRIC



ISOMETRIC VIEW

**SUB-DETAIL**  
DBD 1.2a

N.T.S

Table 1.3 "Resysta Expansion"

Resysta Decking Board Gap Guide					
Temperature at Installation	End-to-End of Decking Boards				Wall
	Below 30°F	60°F	90°F	120°F	
Amount for Decking Profile - Length of 12 ft.	7/16"	1/4"	1/16"	0"	1/4"
Amount for Decking Profile - Length of 16 ft.	9/16"	3/8"	3/16"	0"	5/8"

**Note:**

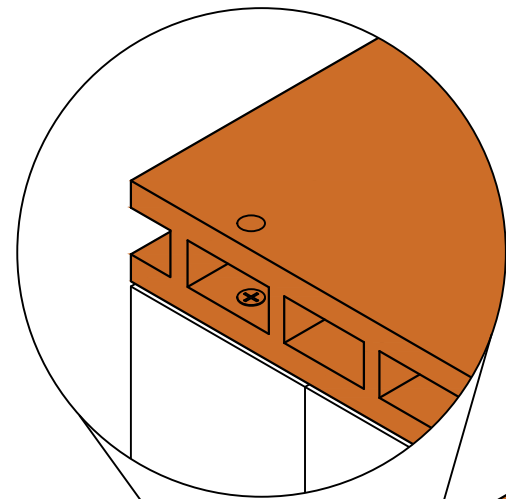
Attach the Starter Clip to the frame substructure running parallel to the deck board using supplied stainless steel screws. Install the Clip at every joist location. Place the lower lip of the deck board inside the Starter Clip and lock it in. Secure the deck board with a Vinyl Clip on the opposite side and continue with the Vinyl Clip until the whole deck is installed.



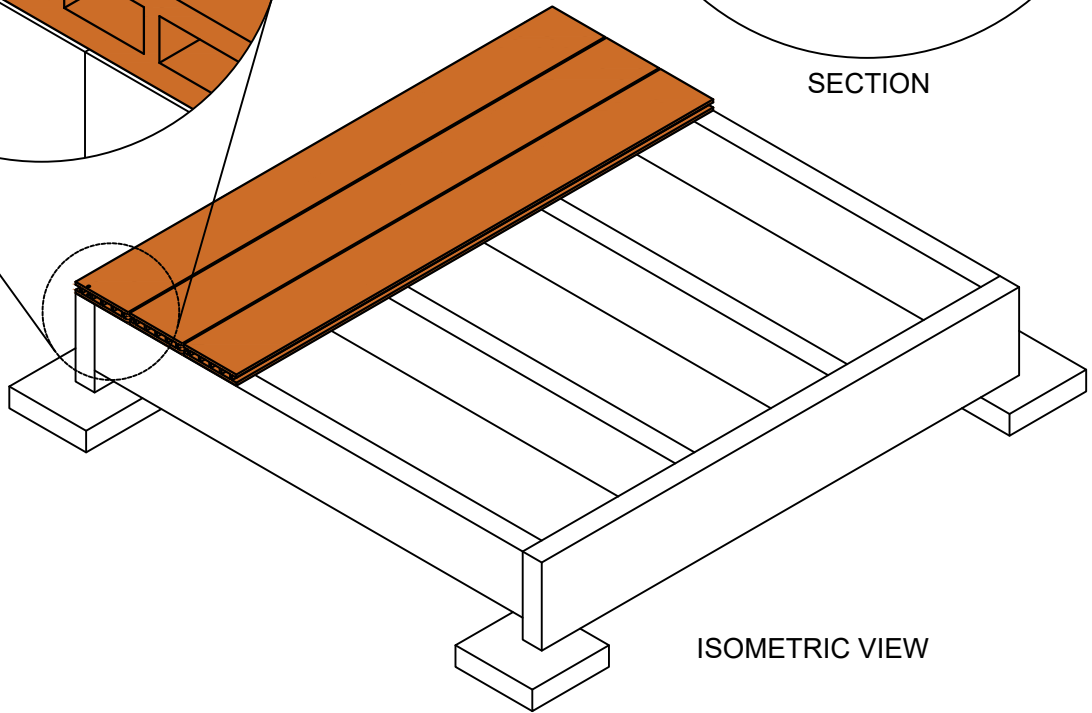
CONTACT  PHONE: 503-360-9551  E-MAIL: sales@hdgbuildingmaterials.com  WEB: hdgbuildingmaterials.com	TITLE	SHEET CONTENT	
	DECKING BOARD SUB-DETAIL	ISOMETRIC VIEW	
		BLOW-UP ISOMETRIC SECTION	
SPECIFICATION	DRAWING NO.	DATE	
TYPICAL DRAWING DETAIL	DBD-03	03.01.23	
	CAD BY:	CHECKED BY:	

DIMENSION LEGEND

Millimeter (mm)  
Inches (") / Foot (')

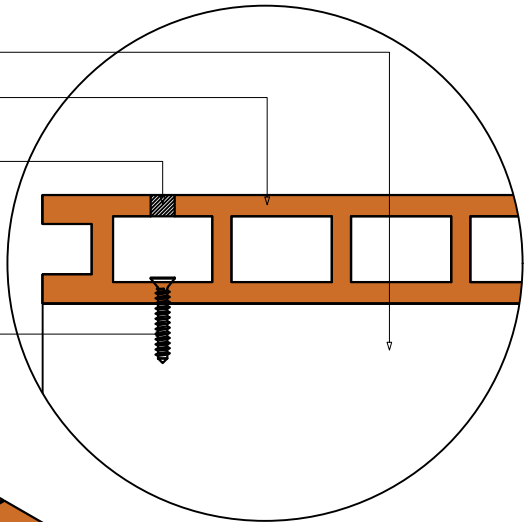


BLOW-UP ISOMETRIC



ISOMETRIC VIEW

Substructure  
Resysta Decking Profile  
Resysta Dowel Profile  
Stainless Steel Screw



SECTION

Table 13 "Resysta Expansion"

Resysta Decking Board Gap Guide					
Temperature at Installation	End-to-End of Decking Boards				Wall
	Below 30°F	60°F	90°F	120°F	
Amount for Decking Profile - Length of 12 ft.	7/16"	1/4"	1/16"	0"	1/4"
Amount for Decking Profile - Length of 16 ft.	9/16"	3/8"	3/16"	0"	5/8"

SUB-DETAIL

DBD 1.2b

N.T.S

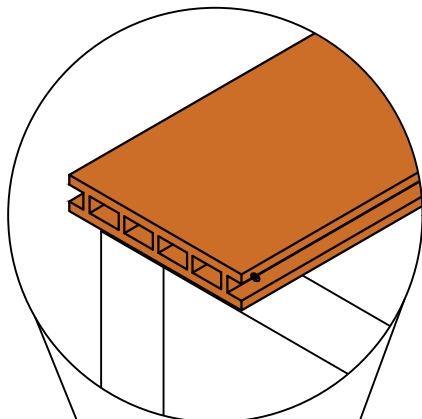
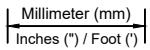
Note:

It is recommended to pre-cut the dowels to your specific needs to prevent unnecessary cutting after installation which may damage the decking surface. Pre-Drill the deck board at the screw location using a 1/8" drill bit, drill through both top and bottom walls. Drill a larger hole through the top wall only with a drill bit sized for the Resysta dowel; 29/64" (12mm) drill bit works best. Screw in the #10 x 2-1/2" stainless steel screw through the bottom.

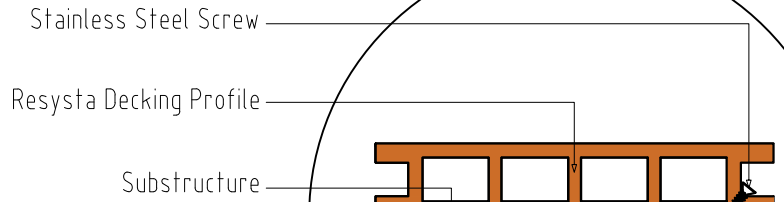


CONTACT	TITLE	SHEET CONTENT	
PHONE: 503-360-9551  E-MAIL: sales@hdgbuildingmaterials.com  WEB: hdgbuildingmaterials.com	DECKING BOARD SUB-DETAIL	ISOMETRIC VIEW	DATE 03.01.23
		BLOW-UP ISOMETRIC SECTION	
SPECIFICATION	TYPICAL DRAWING DETAIL	DRAWING NO. DBD-04	

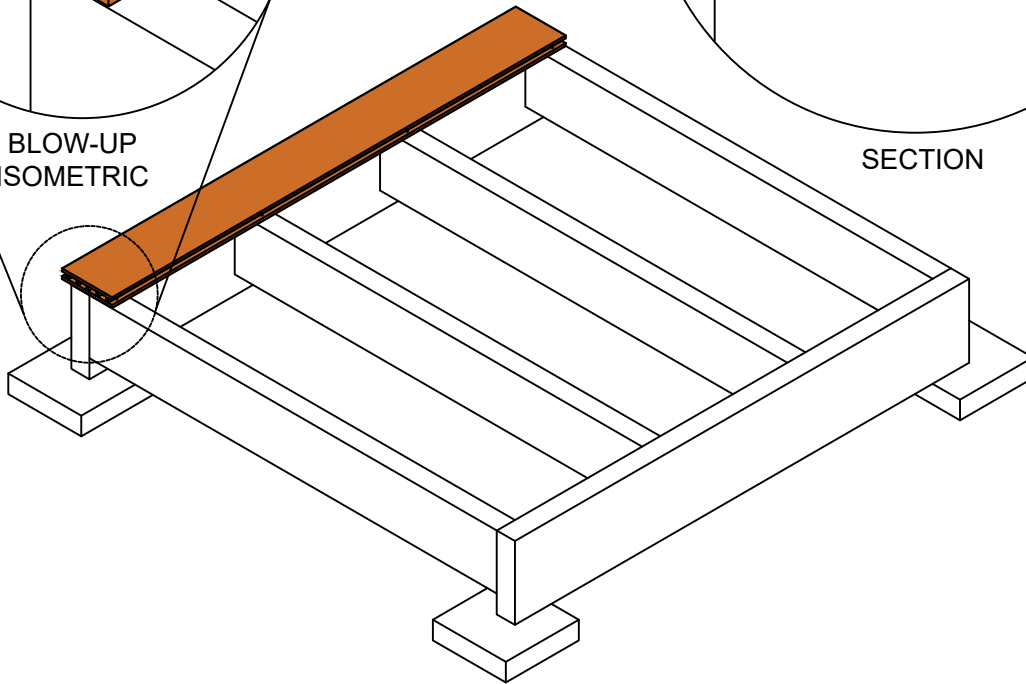
**DIMENSION LEGEND**



**BLOW-UP ISOMETRIC**



**SECTION**



**ISOMETRIC VIEW**

**SUB-DETAIL**  
DBD 1.3a

N.T.S

Table 1.3 "Resysta Expansion"

Resysta Decking Board Gap Guide					
Temperature at Installation	End-to-End of Decking Boards				Wall
	Below 30°F	60°F	90°F	120°F	
Amount for Decking Profile - Length of 12 ft.	7/16"	1/4"	1/16"	0"	1/4"
Amount for Decking Profile - Length of 16 ft.	9/16"	3/8"	3/16"	0"	5/8"

**Note:**

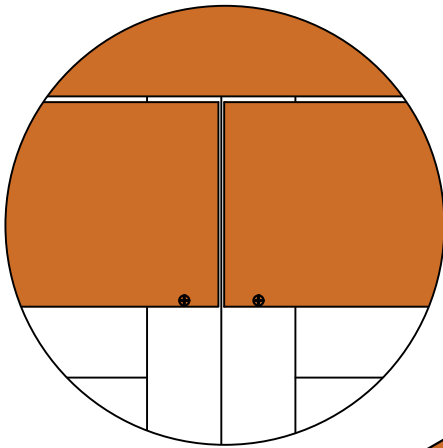
When installing a single board in the row, locate the joist closest to the center of the deck board. Pre-drill the deck board in the groove at the side of the deck board using a 1/8" drill bit. Install a #8 x 1 1/2" stainless steel screw to secure the deck board to the substructure. Do this for the center joist only to allow for expansion/contraction of the deck board in both directions.



CONTACT	TITLE	SHEET CONTENT	
PHONE: 503-360-9551  E-MAIL: sales@hdgbuildingmaterials.com  WEB: hdgbuildingmaterials.com	DECKING BOARD SUB-DETAIL	ISOMETRIC VIEW	
		BLOW-UP ISOMETRIC	
SPECIFICATION	TYPICAL DRAWING DETAIL	SECTION	
		DRAWING NO.	DATE
		DBD-05	03.01.23
		CAD BY:	CHECKED BY:

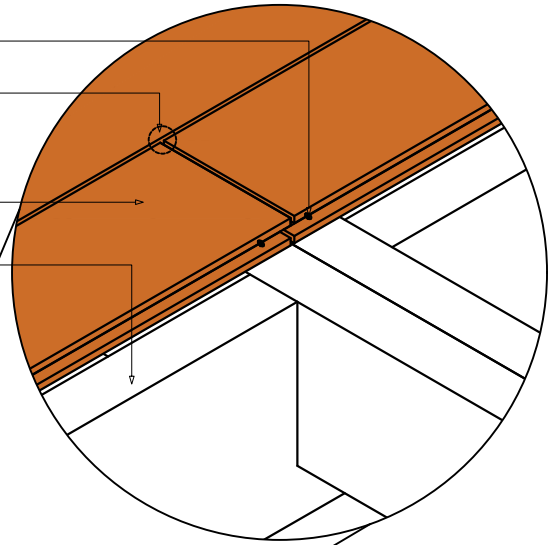
**DIMENSION LEGEND**

Millimeter (mm)  
Inches (") / Foot (')

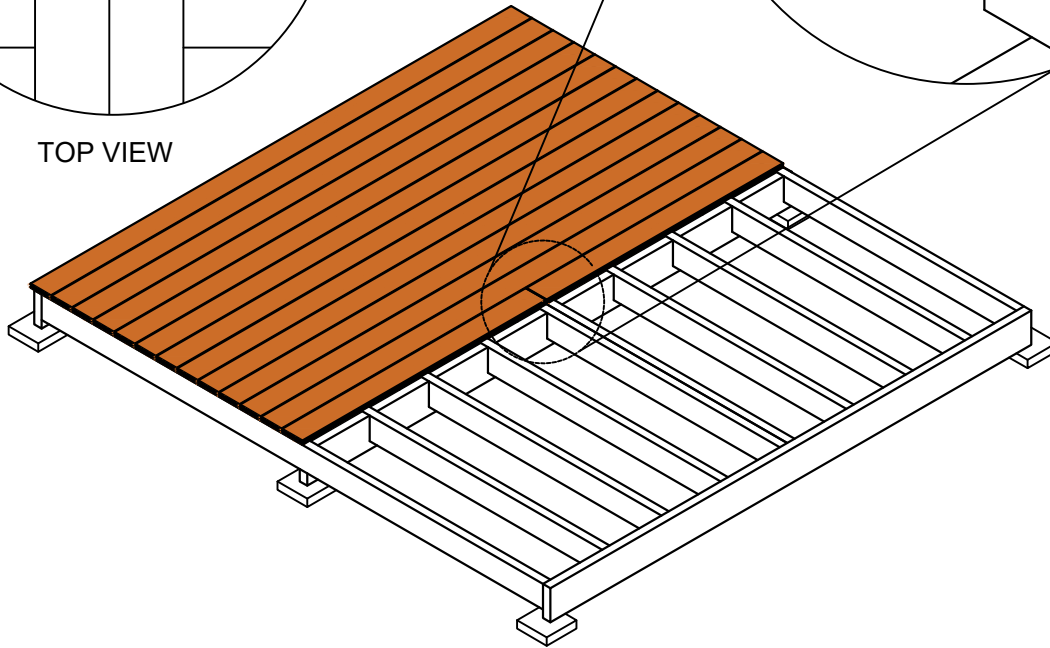


TOP VIEW

Stainless Steel Screw  
Gap\_Refer to Table 1.3  
Resysta Decking Profile  
Substructure



BLOW-UP ISOMETRIC



ISOMETRIC VIEW

**SUB-DETAIL**

DBD 1.3b

N.T.S

Table 1.3 "Resysta Expansion"

Resysta Decking Board Gap Guide					
	End-to-End of Decking Boards				Wall
Temperature at Installation	Below 30°F	60°F	90°F	120°F	
Amount for Decking Profile - Length of 12 ft.	7/16"	1/4"	1/16"	0"	1/4"
Amount for Decking Profile - Length of 16 ft.	9/16"	3/8"	3/16"	0"	5/8"

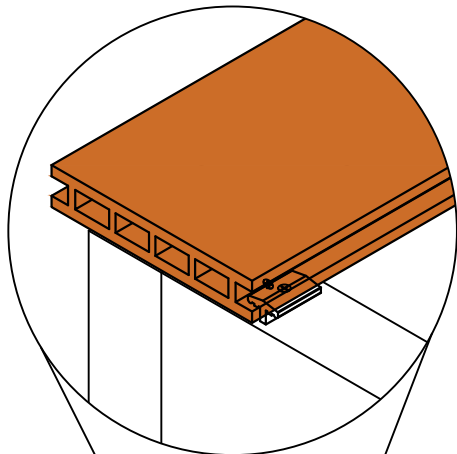
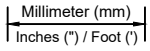
**Note:**

*When 2 boards are installed in the same row, they need to be hard fastened at the butt joints to allow expansion in opposite directions, away from the butt joints..*



CONTACT	TITLE	SHEET CONTENT	
PHONE: 503-360-9551	DECKING BOARD SUB-DETAIL	ISOMETRIC VIEW	
E-MAIL: sales@hdgbuildingmaterials.com		BLOW-UP ISOMETRIC	
WEB: hdgbuildingmaterials.com	SPECIFICATION	TOP VIEW	
	TYPICAL DRAWING DETAIL	DRAWING NO. DBD-06	DATE 03.01.23
		CAD BY:	CHECKED BY:

**DIMENSION LEGEND**



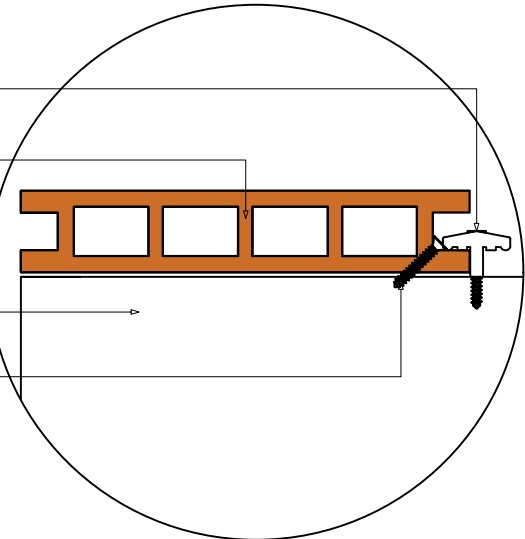
**BLOW-UP ISOMETRIC**

RESCLIPS200 Decking Clip

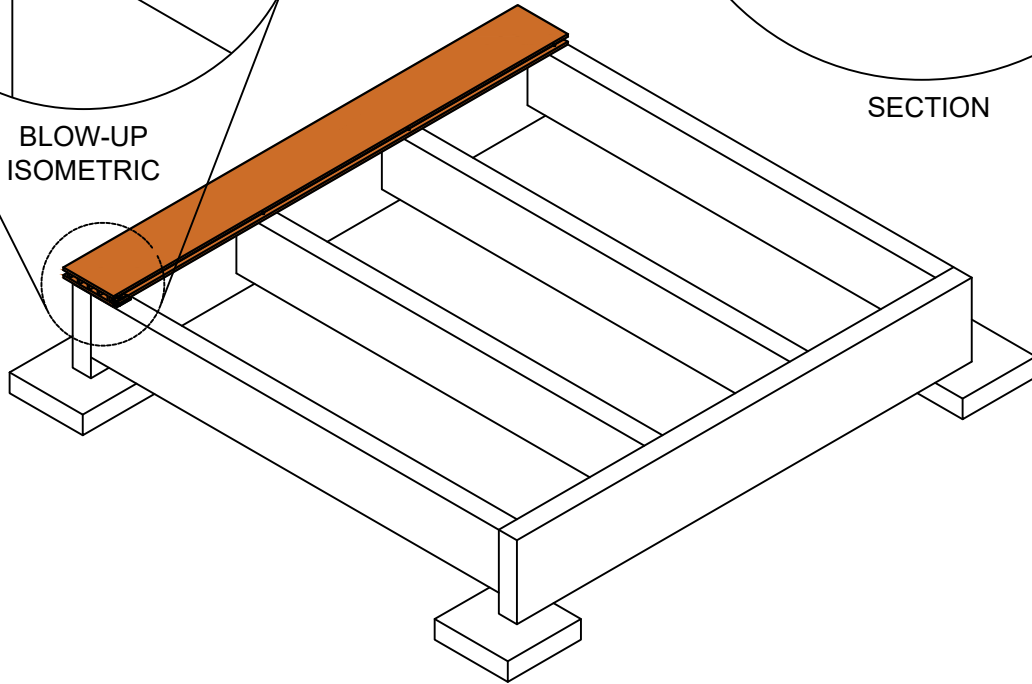
Resysta Decking Profile

Substructure

Stainless Steel Screw



**SECTION**



**ISOMETRIC VIEW**

**SUB-DETAIL**

DBD 1.3c

N.T.S

Table 1.3 "Resysta Expansion"

Resysta Decking Board Gap Guide					
	End-to-End of Decking Boards				Wall
Temperature at Installation	Below 30°F	60°F	90°F	120°F	
Amount for Decking Profile - Length of 12 ft.	7/16"	1/4"	1/16"	0"	1/4"
Amount for Decking Profile - Length of 16 ft.	9/16"	3/8"	3/16"	0"	5/8"

**Note:**

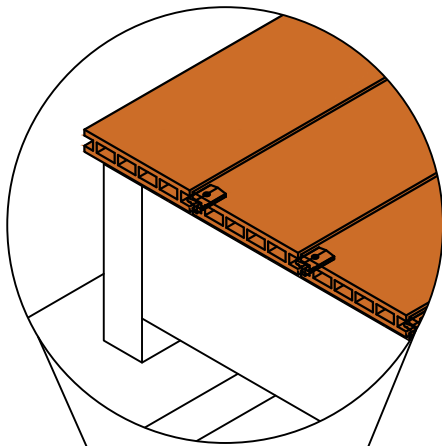
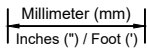
*Additionally a Plastic Clip needs to be installed over the hard fastening screw for the proper attachment of the next board.*



<b>CONTACT</b>  PHONE: 503-360-9551  E-MAIL: sales@hdgbuildingmaterials.com  WEB: hdgbuildingmaterials.com	<b>TITLE</b>  DECKING BOARD SUB-DETAIL	<b>SHEET CONTENT</b> ISOMETRIC VIEW BLOW-UP ISOMETRIC SECTION	
	<b>SPECIFICATION</b>  TYPICAL DRAWING DETAIL	<b>DRAWING NO.</b> DBD-07	<b>DATE</b> 03.01.23
		<b>CAD BY:</b>	<b>CHECKED BY:</b>



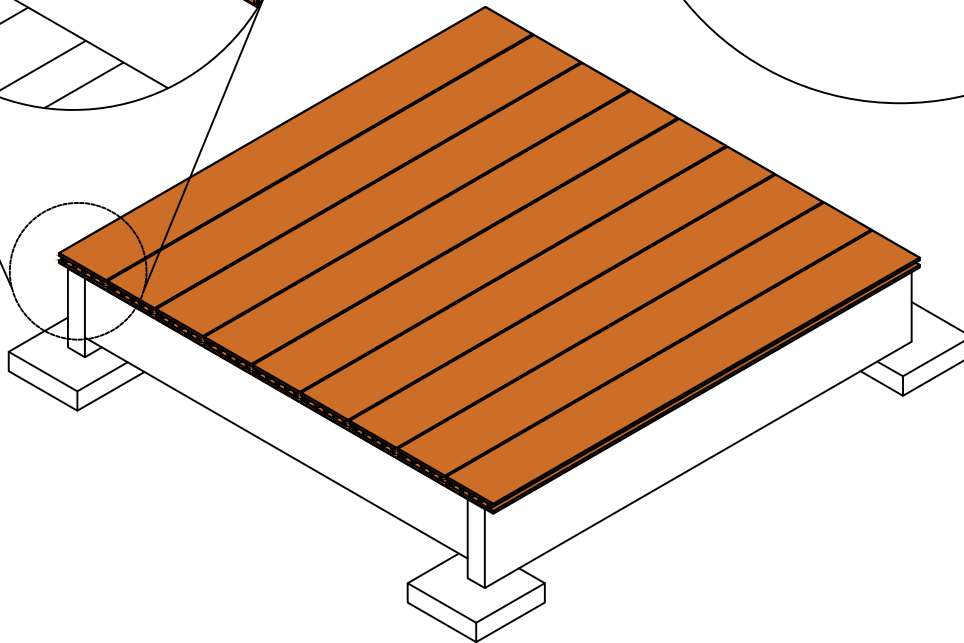
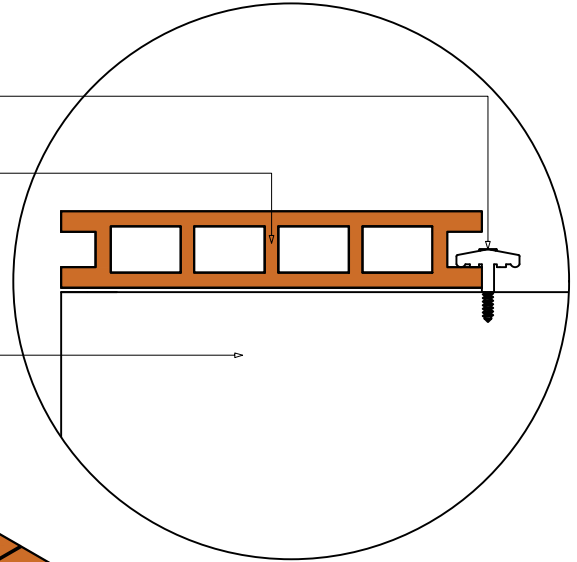
DIMENSION LEGEND



RESCLIPS200 Decking Clip

Resysta Decking Profile

Substructure



ISOMETRIC VIEW

**SUB-DETAIL**

DBD 1.3d

N.T.S

Table 1.3 "Resysta Expansion"

Resysta Decking Board Gap Guide					
Temperature at Installation	End-to-End of Decking Boards				Wall
	Below 30°F	60°F	90°F	120°F	
Amount for Decking Profile - Length of 12 ft.	7/16"	1/4"	1/16"	0"	1/4"
Amount for Decking Profile - Length of 16 ft.	9/16"	3/8"	3/16"	0"	5/8"

**Note:**

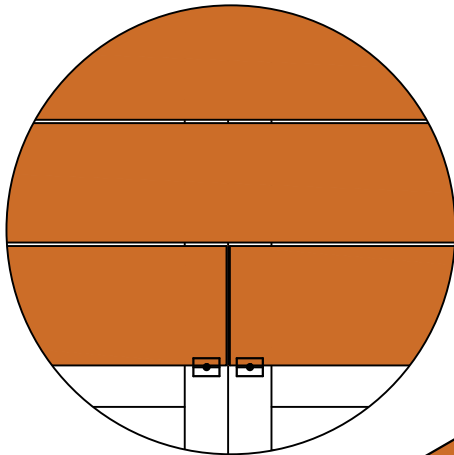
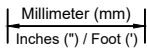
*Pre-set the screw into the clip, securing the screw into the frame substructure but do not tighten the screw onto the clip. Only set the screw half way into the clip so that the next deck board can be installed. Secure the deck board with a Vinyl Clip on the opposite side and continue with the Vinyl Clip until the whole deck is installed.*



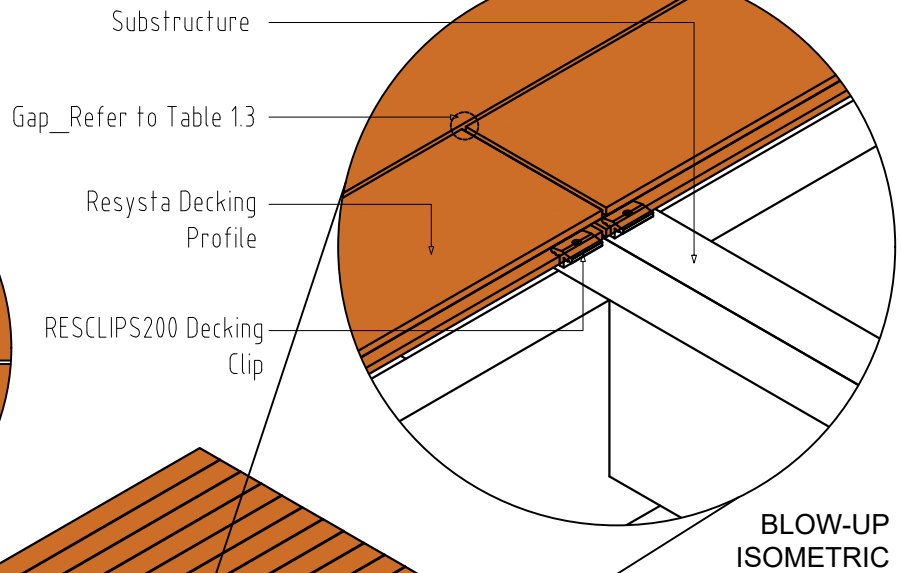
CONTACT	TITLE	SHEET CONTENT	
PHONE: 503-360-9551  E-MAIL: sales@hdgbuildingmaterials.com  WEB: hdgbuildingmaterials.com	DECKING BOARD SUB-DETAIL	ISOMETRIC VIEW	
		BLOW-UP ISOMETRIC SECTION	
SPECIFICATION	TYPICAL DRAWING DETAIL	DRAWING NO. DBD-08	
		CAD BY:	CHECKED BY:



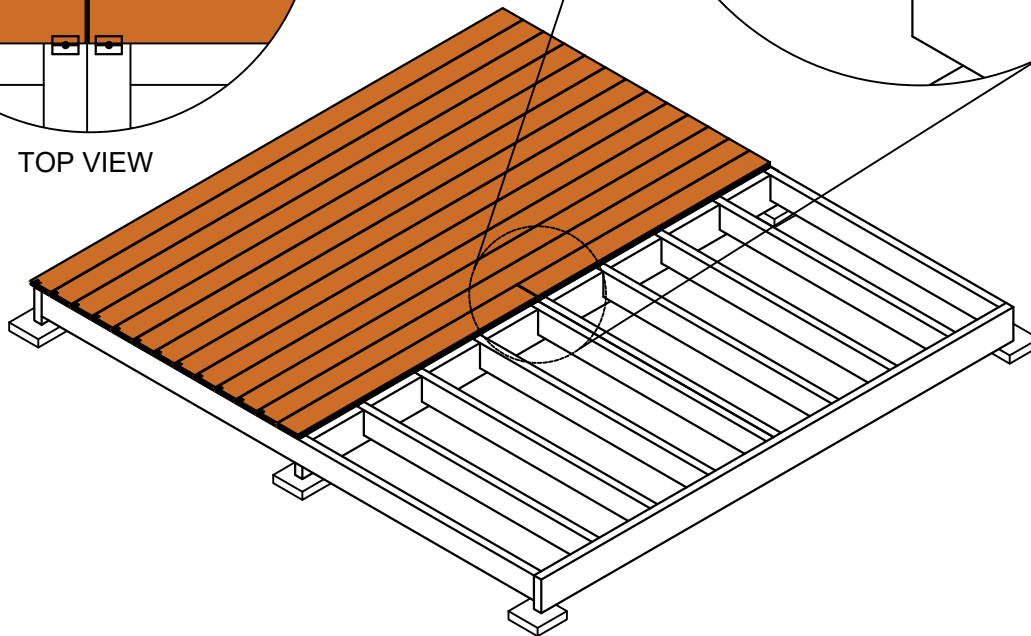
DIMENSION LEGEND



TOP VIEW



BLOW-UP ISOMETRIC



ISOMETRIC VIEW

Table 1.3 "Resysta Expansion"

Resysta Decking Board Gap Guide					
Temperature at Installation	End-to-End of Decking Boards				Wall
	Below 30°F	60°F	90°F	120°F	
Amount for Decking Profile - Length of 12 ft.	7/16"	1/4"	1/16"	0"	1/4"
Amount for Decking Profile - Length of 16 ft.	9/16"	3/8"	3/16"	0"	5/8"

**SUB-DETAIL**

DBD 1.3e

N.T.S

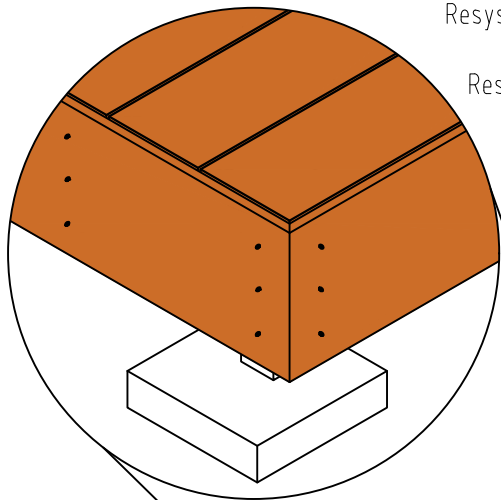
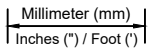
**Note:**

*If installing a deck with end-to-end joints make sure that a minimum of two clips are installed at each end-to-end joint. Install two plastic clips at each joint, one clip onto each deck board. Never install one plastic clip across two deck boards. To properly gap the end-to-end joints see Table 1.3 at the beginning of this document. Window shims can be used to help gap the joints of deck boards to provide an even gap throughout installation.*



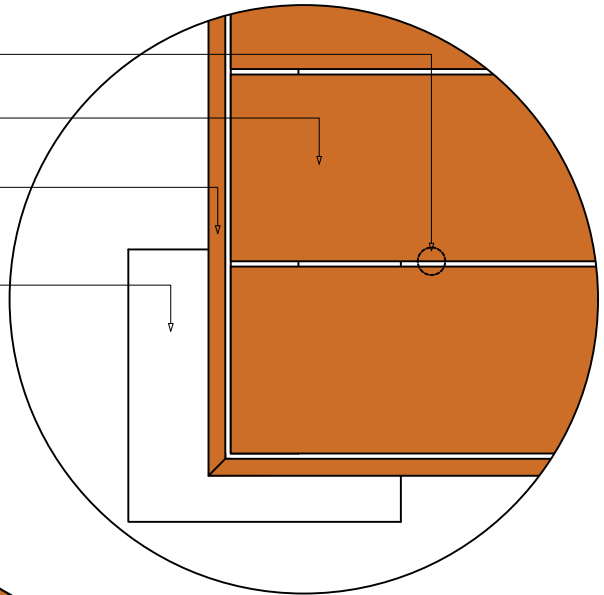
CONTACT  PHONE: 503-360-9551  E-MAIL: sales@hdgbuildingmaterials.com  WEB: hdgbuildingmaterials.com	TITLE	SHEET CONTENT	
	DECKING BOARD SUB-DETAIL	ISOMETRIC VIEW	
		BLOW-UP ISOMETRIC	
		TOP VIEW	
SPECIFICATION	DRAWING NO.	DATE	
TYPICAL DRAWING DETAIL	DBD-09	03.01.23	
	CAD BY:	CHECKED BY:	

DIMENSION LEGEND

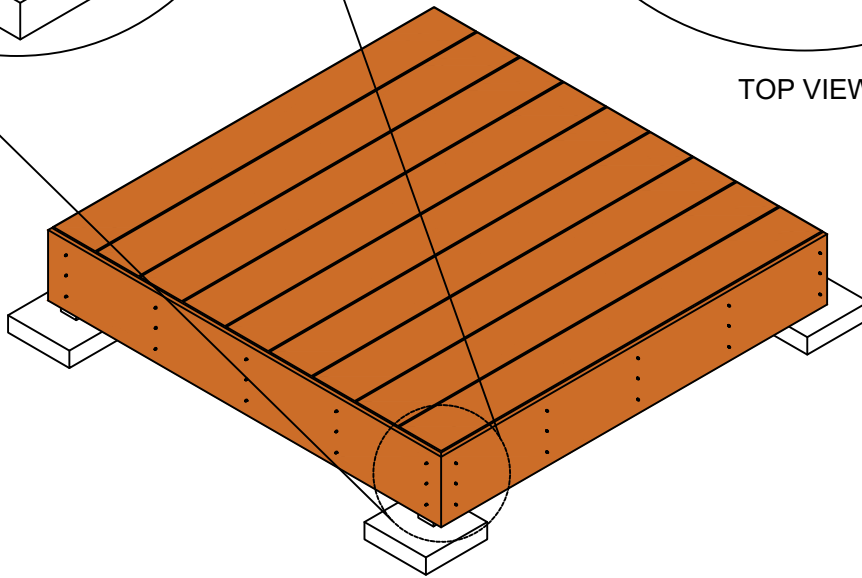


BLOW-UP ISOMETRIC

Gap\_ Refer to Table 1.3  
 Resysta Decking Profile  
 Resysta Fascia Board  
 Substructure



TOP VIEW



ISOMETRIC VIEW

**SUB-DETAIL**  
 DBD 1.4a

N.T.S

Table 1.3 "Resysta Expansion"

Resysta Decking Board Gap Guide					
Temperature at Installation	End-to-End of Decking Boards				Wall
	Below 30°F	60°F	90°F	120°F	
Amount for Decking Profile - Length of 12 ft.	7/16"	1/4"	1/16"	0"	1/4"
Amount for Decking Profile - Length of 16 ft.	9/16"	3/8"	3/16"	0"	5/8"

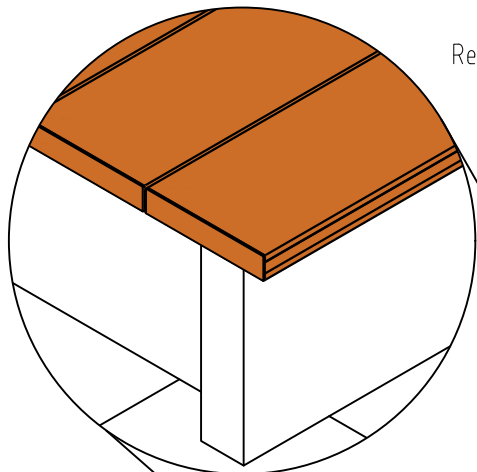
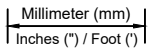
**Note:**

*Fascia board can be used to cover the substructure as well as the ends of the deck board and/or the last board. The fascia board can be used to picture frame the deck by miter cutting the ends of the fascia board at a 45 degree angle. Treat the fascia board as a solid wall when gapping. It is recommended to use #10x1-1/2" stainless steel screw and attaching 3 screws every 12" to secure fascia board to the substructure.*

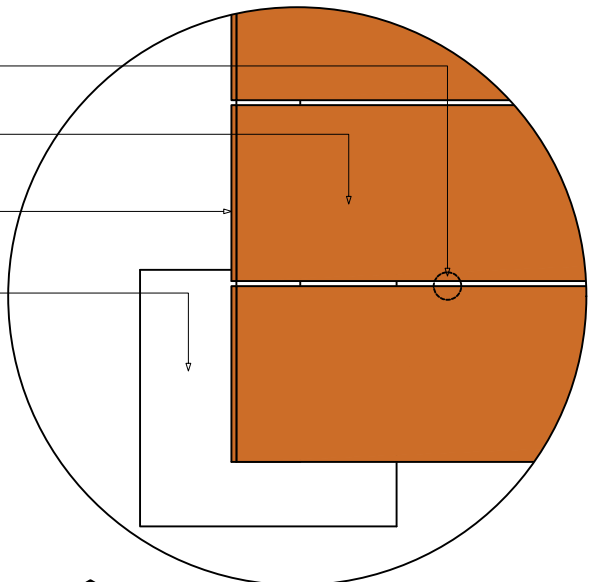


CONTACT  PHONE: 503-360-9551  E-MAIL: sales@hdgbuildingmaterials.com  WEB: hdgbuildingmaterials.com	TITLE	SHEET CONTENT	
	DECKING BOARD SUB-DETAIL	ISOMETRIC VIEW	
		BLOW-UP ISOMETRIC	
		TOP VIEW	
SPECIFICATION	DRAWING NO.	DATE	
TYPICAL DRAWING DETAIL	DBD-10	03.01.23	
	CAD BY:	CHECKED BY:	

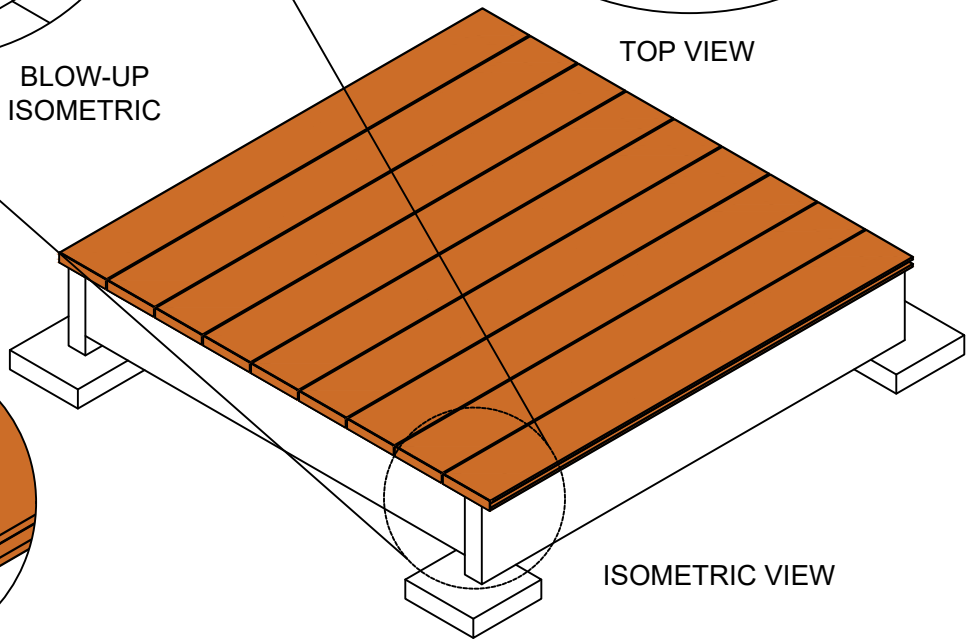
**DIMENSION LEGEND**



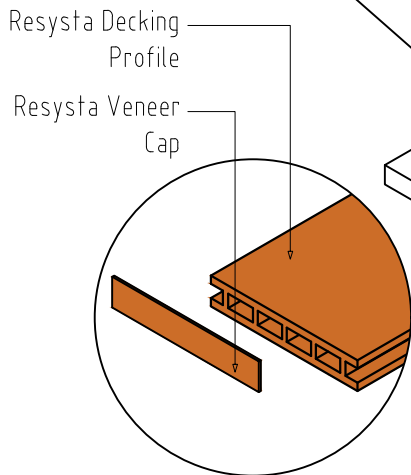
**BLOW-UP ISOMETRIC**



**TOP VIEW**



**ISOMETRIC VIEW**



**BLOW-UP DETAIL**

**SUB-DETAIL**

DBD 1.4b

N.T.S

Gap\_ Refer to Table 1.3  
 Resysta Decking Profile  
 Resysta Veneer Cap  
 Substructure

Table 1.3 "Resysta Expansion"

Resysta Decking Board Gap Guide					
	End-to-End of Decking Boards				Wall
Temperature at Installation	Below 30°F	60°F	90°F	120°F	
Amount for Decking Profile - Length of 12 ft.	7/16"	1/4"	1/16"	0"	1/4"
Amount for Decking Profile - Length of 16 ft.	9/16"	3/8"	3/16"	0"	5/8"

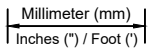
**Note:**

*In the event that you will apply Decking Cap on both ends of plank you must supply a vent hole in the back of each channel, I.E. drill a 1/8" hole in the back of the plank where it will not be viewed. For the 7-1/2" Decking profile you must drill 7 holes - one in each channel. This will allow any heat to be released preventing bulging of the cap on the Decking profiles.*



CONTACT  PHONE: 503-360-9551  E-MAIL: sales@hdgbuildingmaterials.com  WEB: hdgbuildingmaterials.com	TITLE	SHEET CONTENT	
	DECKING BOARD SUB-DETAIL	ISOMETRIC VIEW	
		BLOW-UP ISOMETRIC	
		TOP VIEW	
SPECIFICATION  TYPICAL DRAWING DETAIL	BLOW UP DETAIL		
	DRAWING NO.	DATE	
	DBD-11	03.01.23	
	CAD BY:	CHECKED BY:	

**DIMENSION LEGEND**

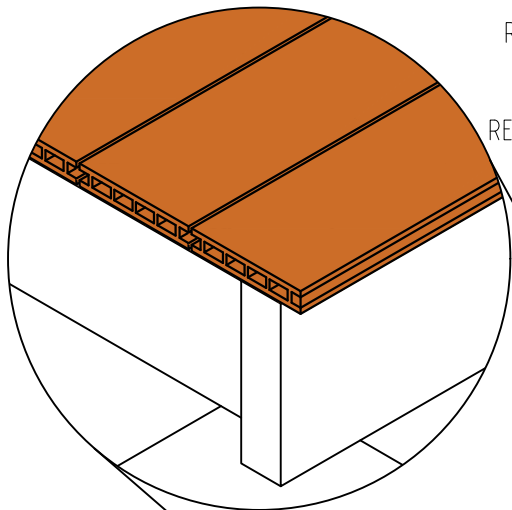


Resysta Rectangular Edge Profile  
(Must sand the profile to fit in)

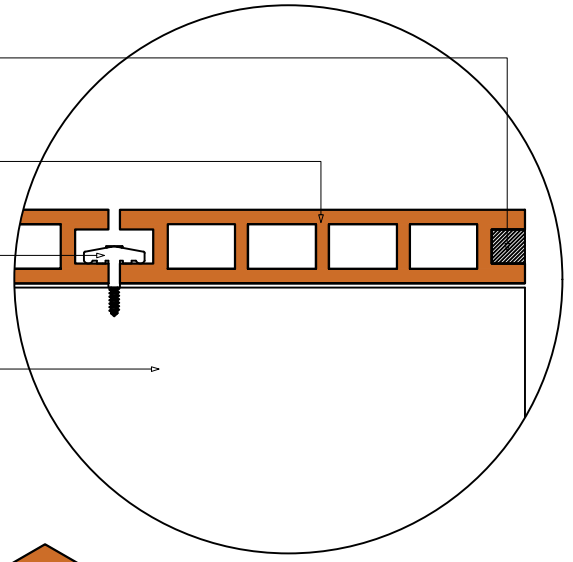
Resysta Decking Profile

RESCLIPS200 Decking Clip

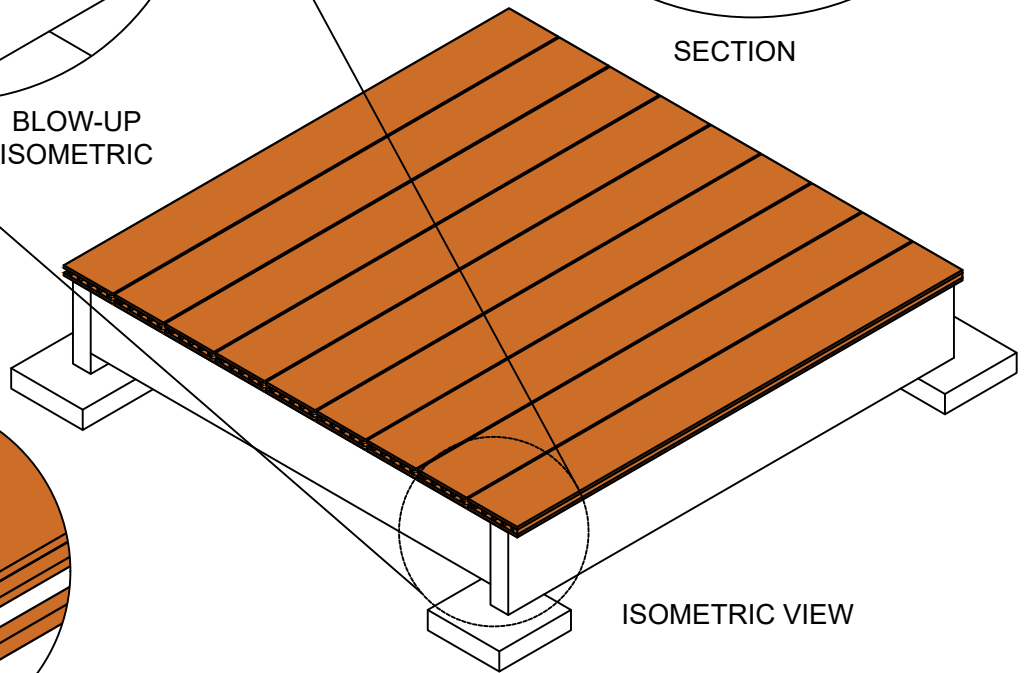
Substructure



**BLOW-UP ISOMETRIC**



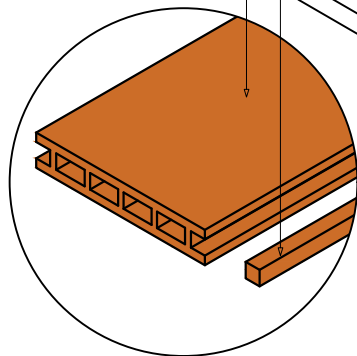
**SECTION**



**ISOMETRIC VIEW**

Resysta Rectangular Edge Profile (Must sand the profile to fit in)

Resysta Decking Profile



**BLOW-UP DETAIL**

**SUB-DETAIL**

DBD 1.4c

N.T.S

Table 1.3 "Resysta Expansion"

Resysta Decking Board Gap Guide					
	End-to-End of Decking Boards				Wall
Temperature at Installation	Below 30°F	60°F	90°F	120°F	
Amount for Decking Profile - Length of 12 ft.	7/16"	1/4"	1/16"	0"	1/4"
Amount for Decking Profile - Length of 16 ft.	9/16"	3/8"	3/16"	0"	5/8"

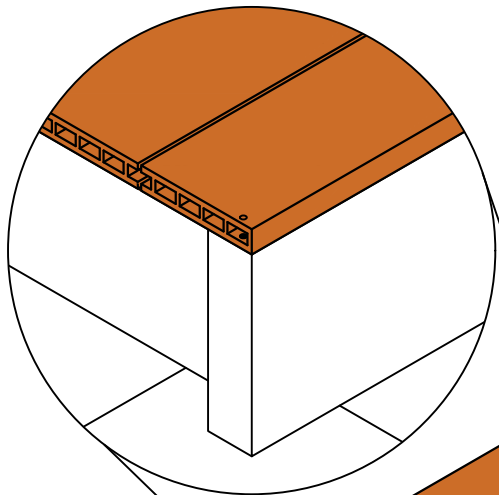
**Note:**

*An Edge Cap profile will fit in the clip pocket of the Gold and Platinum boards to finish out the outside edge of the deck boards. To attach apply UV protected glue in the clip pocket of the deck board. Firmly insert the Edge Cap profile into the clip pocket groove, tap with a rubber mallet if necessary. Once the glue is cured the edge can be sanded to create a seamless finish.*

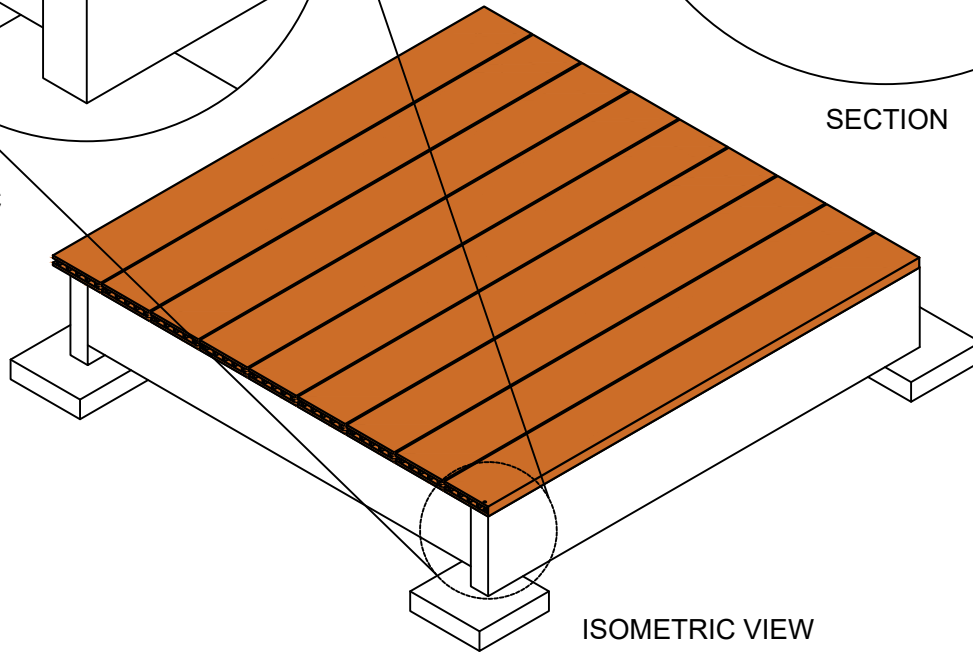


CONTACT  PHONE: 503-360-9551  E-MAIL: sales@hdgbuildingmaterials.com  WEB: hdgbuildingmaterials.com	TITLE	SHEET CONTENT	
	DECKING BOARD SUB-DETAIL  SPECIFICATION  TYPICAL DRAWING DETAIL	ISOMETRIC VIEW	
		BLOW-UP ISOMETRIC	
		SECTION	
		BLOW-UP DETAIL	
		DRAWING NO.	DATE
		DBD-12	03.01.23
		CAD BY:	CHECKED BY:

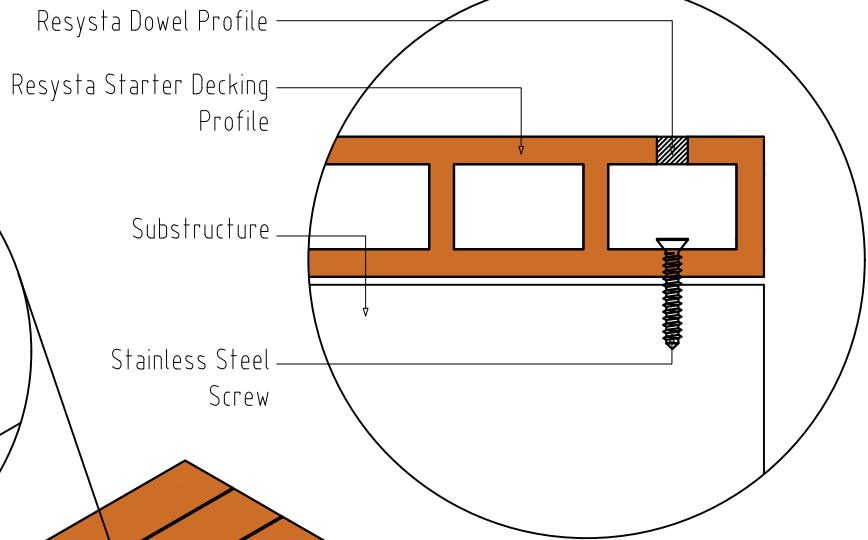
**DIMENSION LEGEND**  
 Millimeter (mm)  
 Inches (") / Foot (')



**BLOW-UP ISOMETRIC**



**ISOMETRIC VIEW**



**SECTION**

**SUB-DETAIL**

DBD 1.4d

N.T.S

Table 1.3 "Resysta Expansion"

Resysta Decking Board Gap Guide					
Temperature at Installation	End-to-End of Decking Boards				Wall
	Below 30°F	60°F	90°F	120°F	
Amount for Decking Profile - Length of 12 ft.	7/16"	1/4"	1/16"	0"	1/4"
Amount for Decking Profile - Length of 16 ft.	9/16"	3/8"	3/16"	0"	5/8"

**Note:**

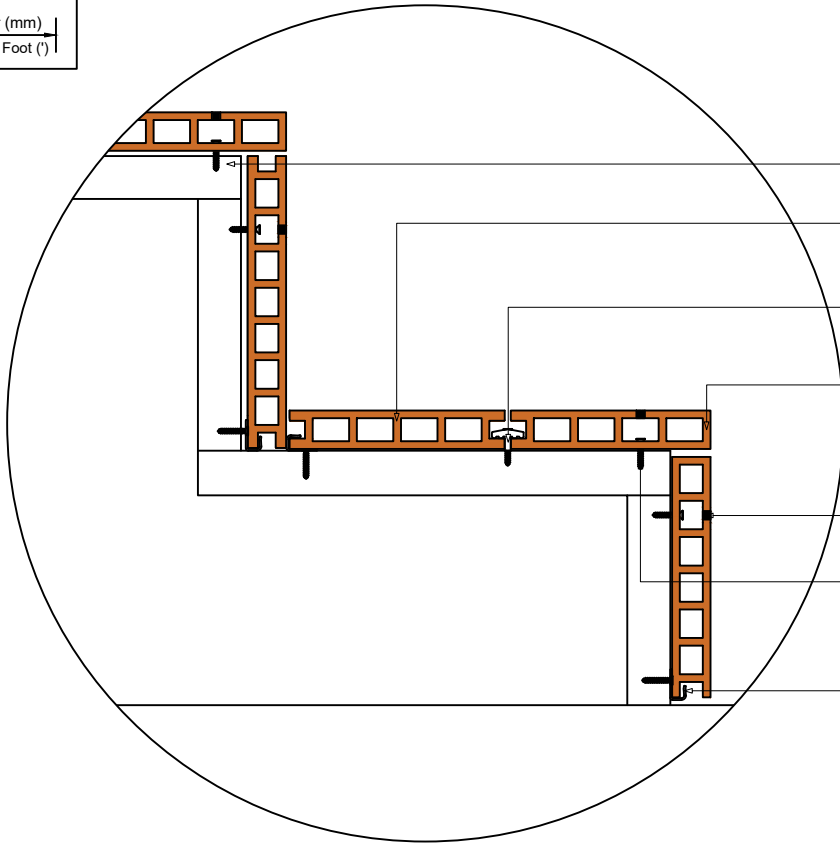
*Resysta starter decking profile can be use as a starter or end profile to finish the decking board system. It is recommended to pre-cut the dowels to your specific needs to prevent unnecessary cutting after installation which may damage the decking surface. Pre-Drill the deck board at the screw location using a 1/8" drill bit, drill through both top and bottom walls. Drill a larger hole through the top wall only with a drill bit sized for the Resysta dowel; 29/64" (12mm) drill bit works best. Screw in the #10 x 2-1/2" stainless steel screw through the bottom.*



<b>CONTACT</b>  PHONE: 503-360-9551  E-MAIL: sales@hdgbuildingmaterials.com  WEB: hdgbuildingmaterials.com	<b>TITLE</b>  DECKING BOARD SUB-DETAIL	<b>SHEET CONTENT</b> ISOMETRIC VIEW BLOW-UP ISOMETRIC SECTION	
	<b>SPECIFICATION</b>  TYPICAL DRAWING DETAIL	<b>DRAWING NO.</b> DBD-13	<b>DATE</b> 03.01.23
		<b>CAD BY:</b>	<b>CHECKED BY:</b>

**DIMENSION LEGEND**

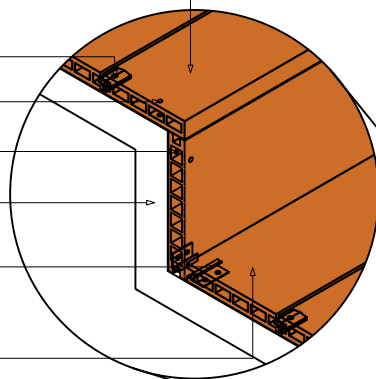
Millimeter (mm)  
Inches (") / Foot (')



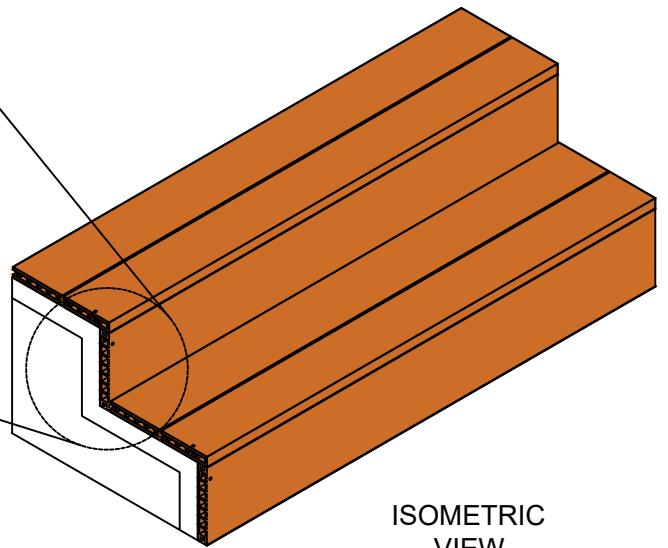
- Substructure
- Resysta Decking Profile
- RESCLIPS200 Decking Clip
- Resysta Starter Decking Profile
- Resysta Dowel Profile
- Stainless Steel Screw
- RESCLIPSS125 Start/End Clip w/ Screw

**SECTION**

- Resysta Starter Decking Profile
- RESCLIPS200 Decking Clip
- Resysta Dowel Profile
- Stainless Steel Screw
- Substructure
- RESCLIPSS125 Start/End Clip w/ Screw
- Resysta Decking Profile



**BLOW-UP ISOMETRIC**



**ISOMETRIC VIEW**

**SUB-DETAIL**  
DBD\_Stairs

N.T.S

**Note:**

*Always consider linear expansion of Resysta profiles during the installation of decking products.*



<b>CONTACT</b>  PHONE: 503-360-9551  E-MAIL: sales@hdgbuildingmaterials.com  WEB: hdgbuildingmaterials.com	<b>TITLE</b>  STAIRS DECKING BOARD SUB-DETAIL	<b>SHEET CONTENT</b> ISOMETRIC VIEW BLOW-UP ISOMETRIC SECTION	
	<b>SPECIFICATION</b>  TYPICAL DRAWING DETAIL	<b>DRAWING NO.</b> DBD-14	<b>DATE</b> 03.01.23
		<b>CAD BY:</b>	<b>CHECKED BY:</b>