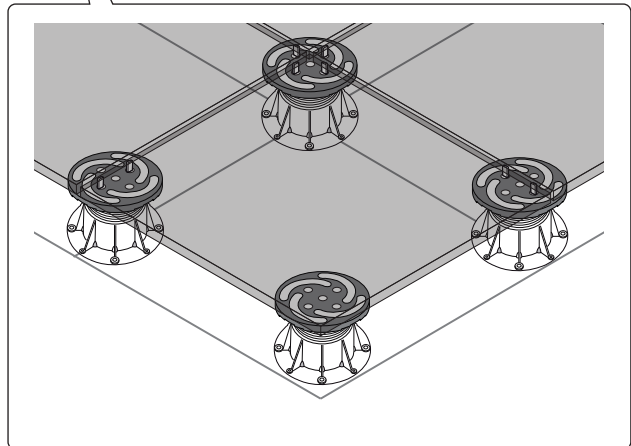
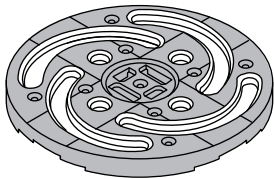
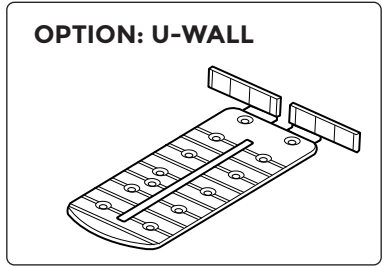
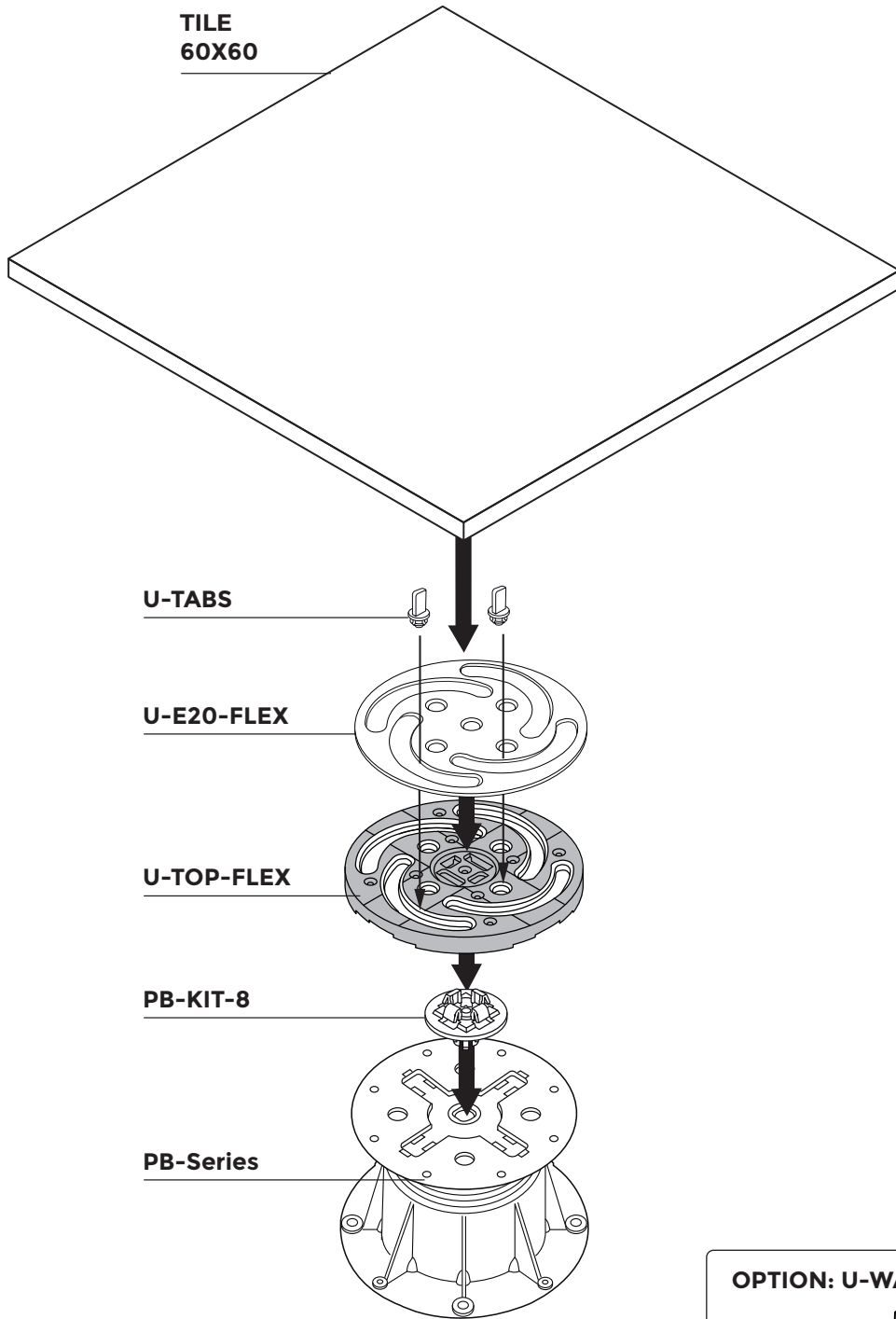


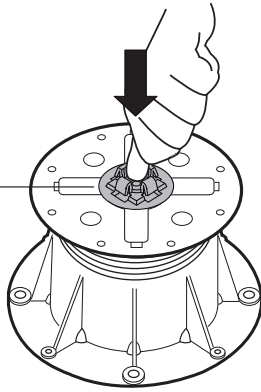
U-TOP-FLEX





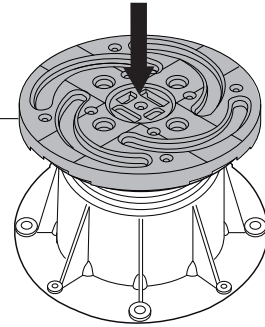
1

PB-KIT-8



2

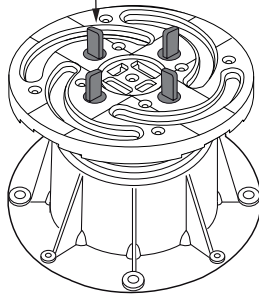
U-TOP-FLEX



3

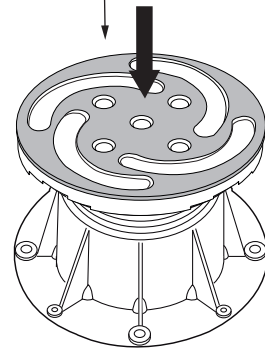
U-TABS

- A** U-TABS X0
- B** U-TABS X2
- C** U-TABS X4



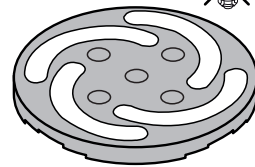
4

U-E20-FLEX



5

A U-TABS X0



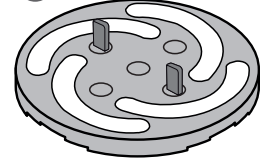
B



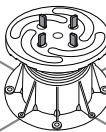
B



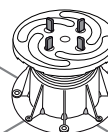
B U-TABS X2



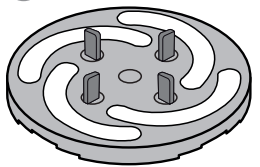
C



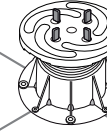
C



C U-TABS X4



C



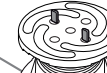
B



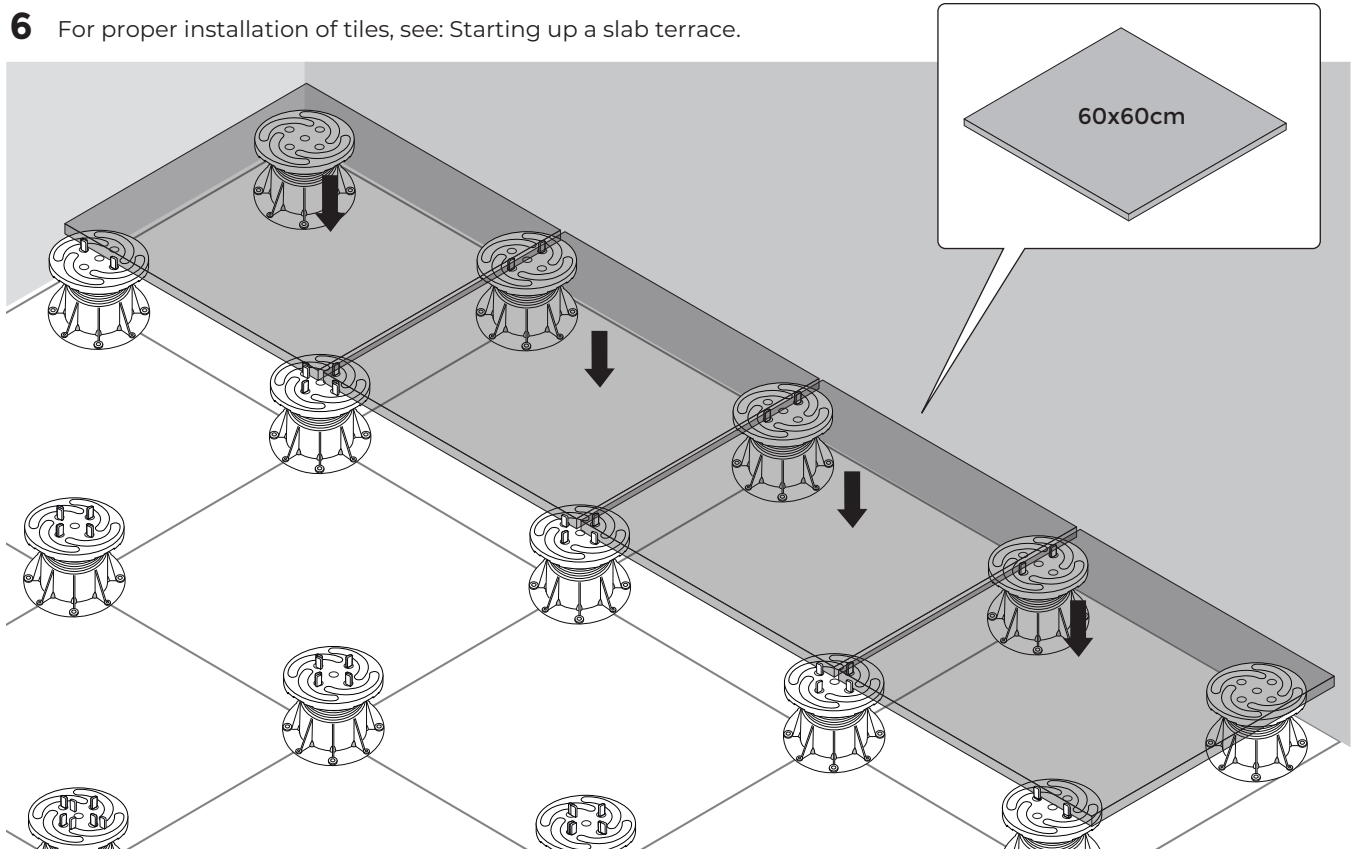
A



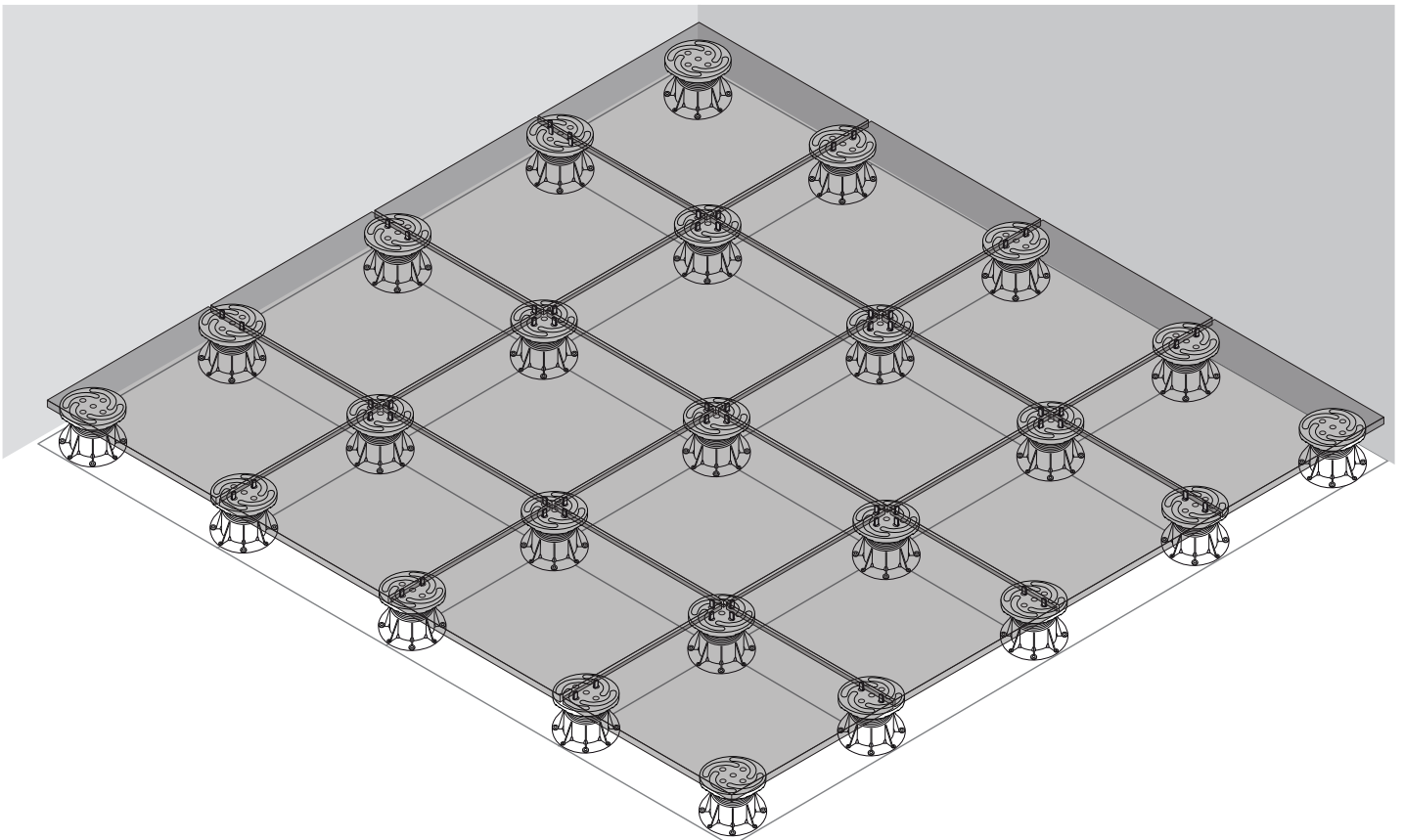
B

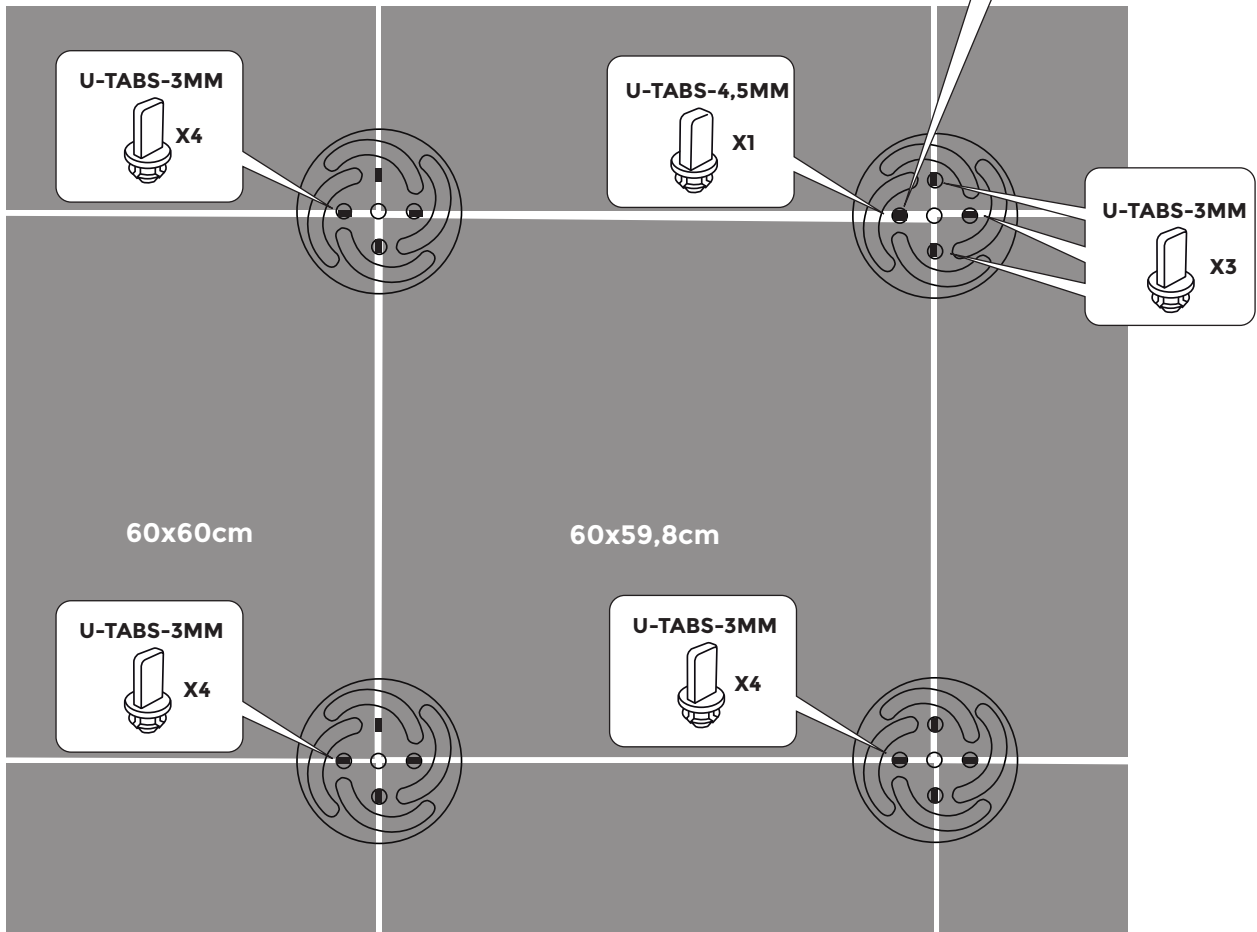
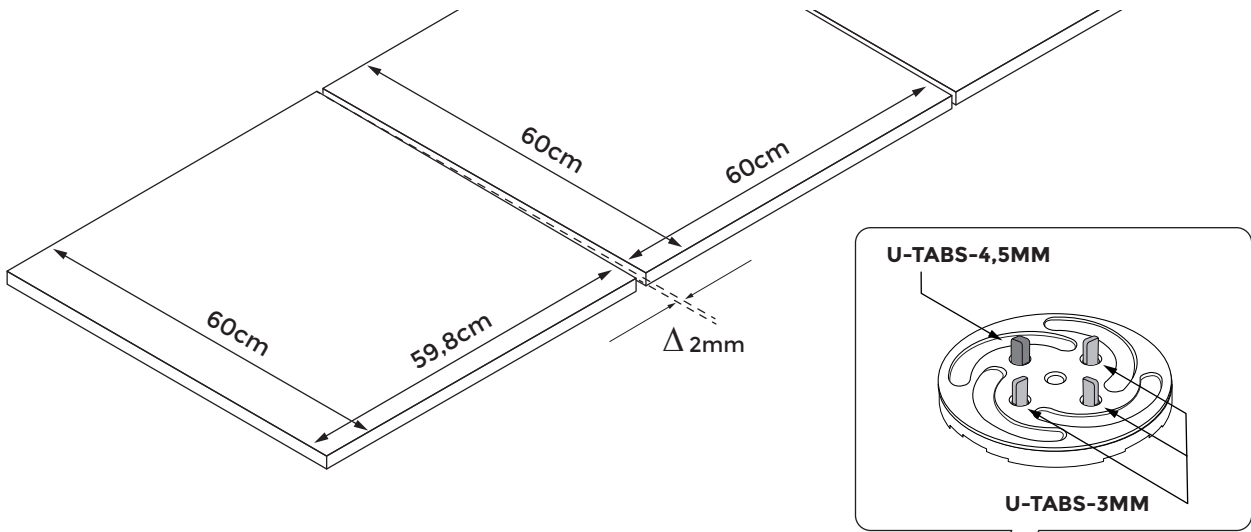


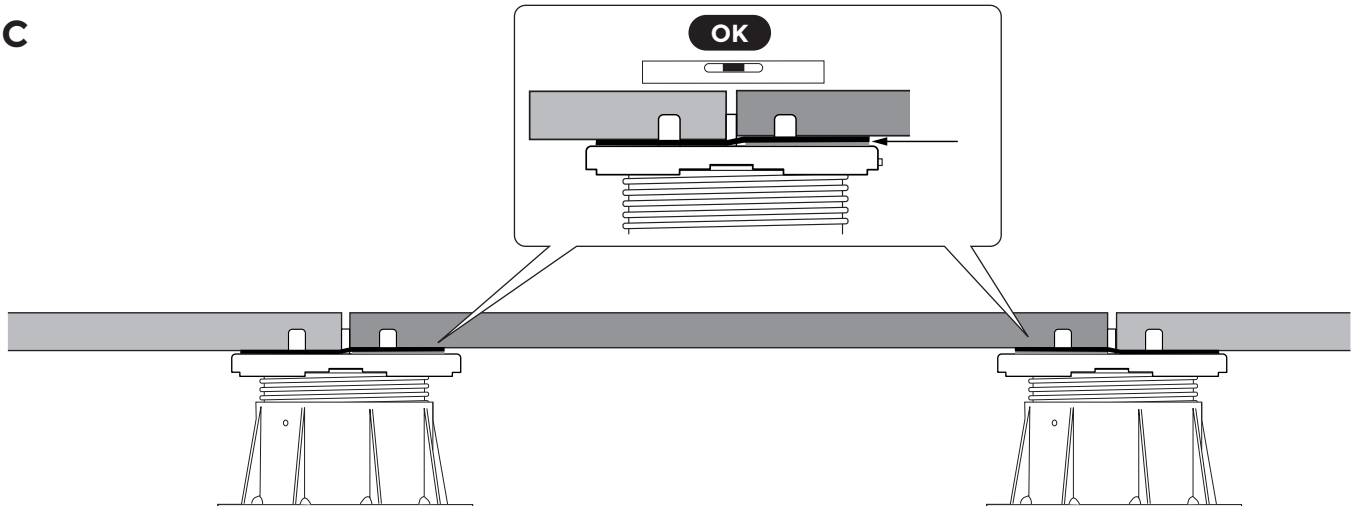
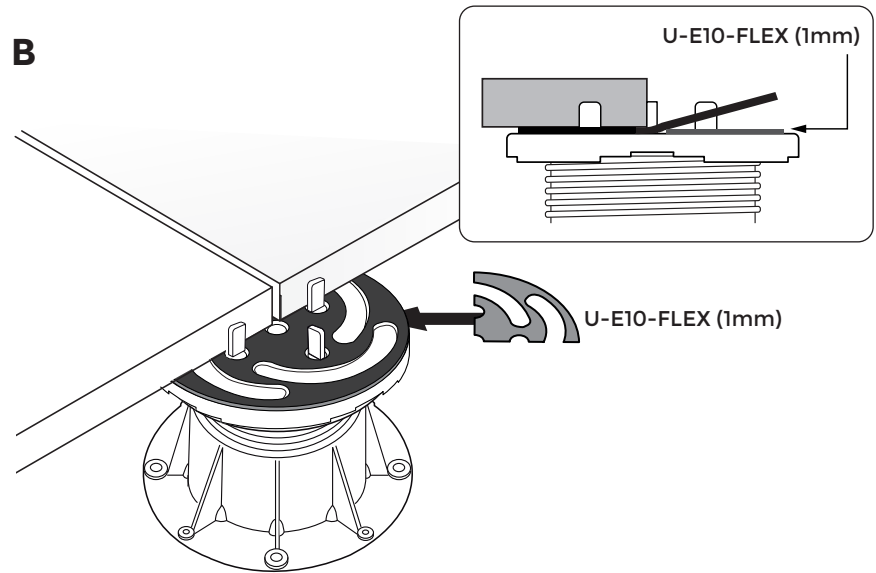
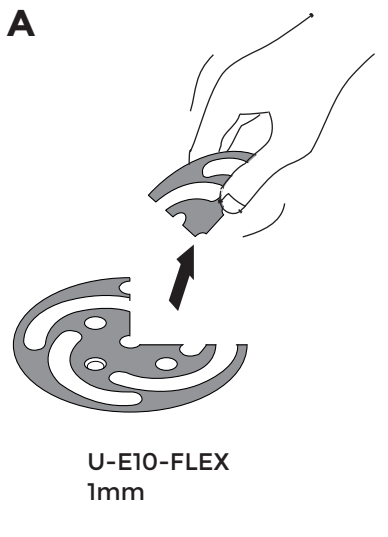
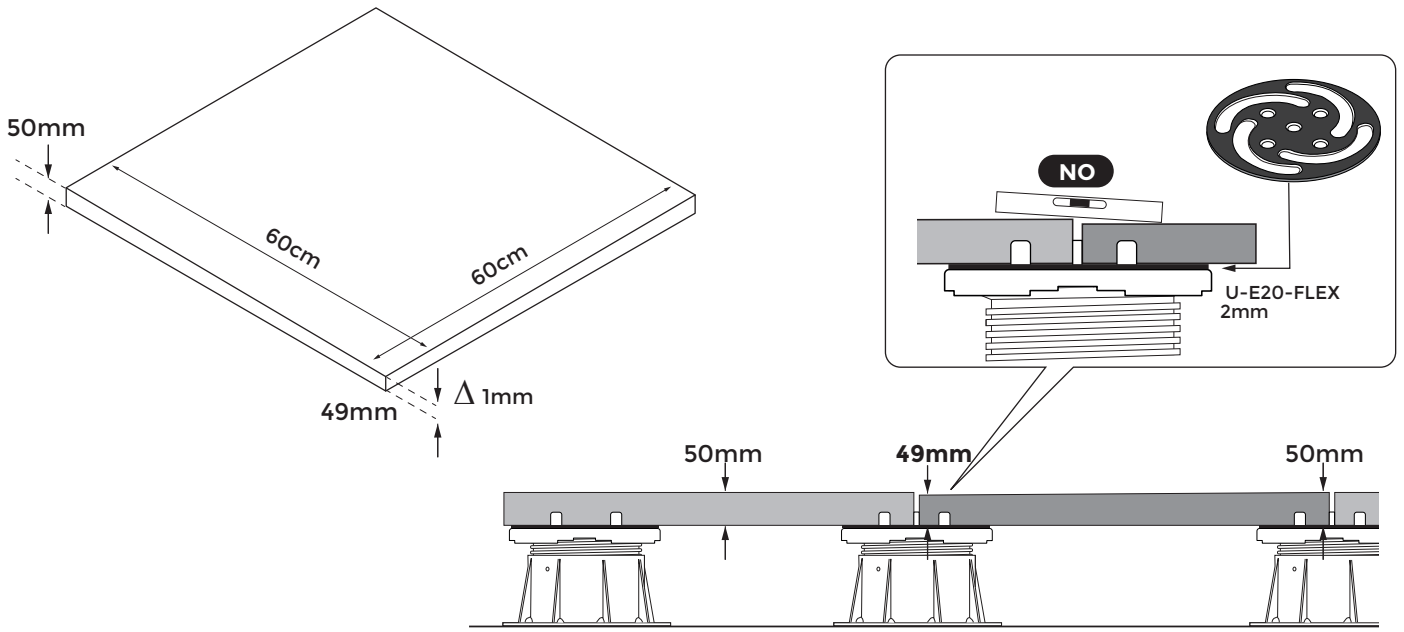
6 For proper installation of tiles, see: Starting up a slab terrace.

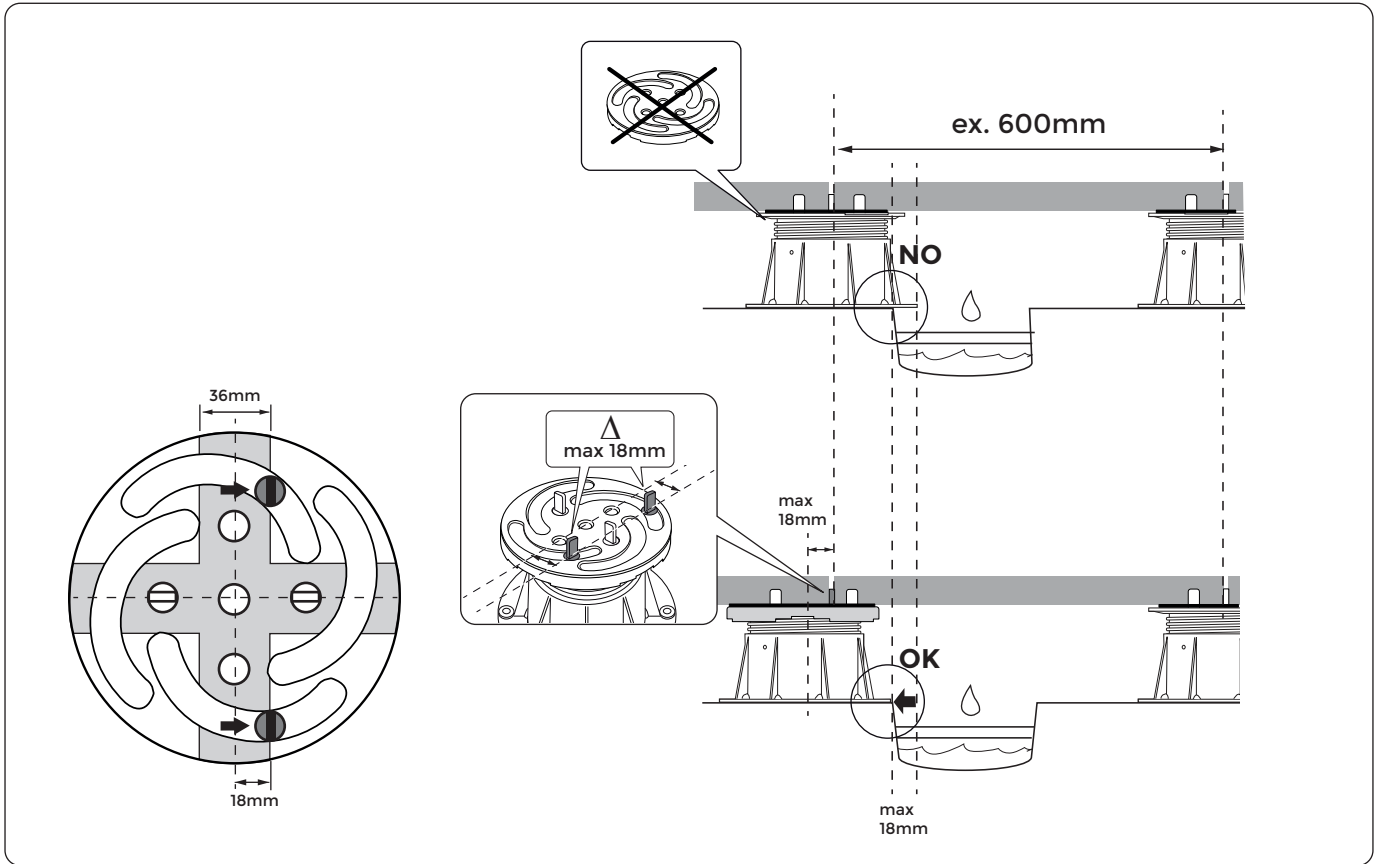


7







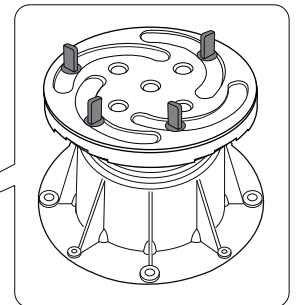
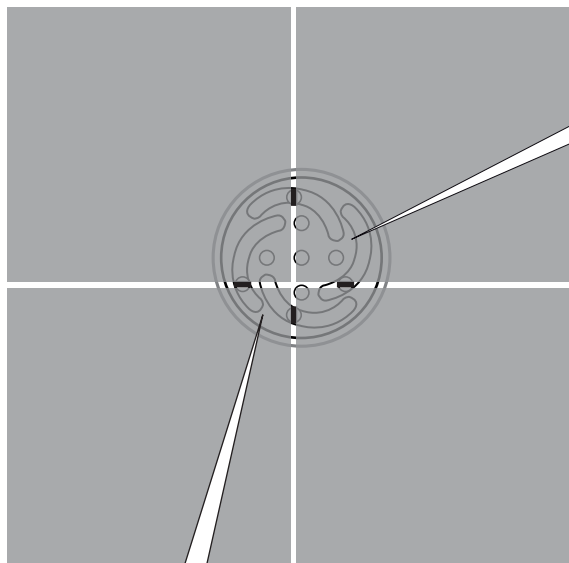
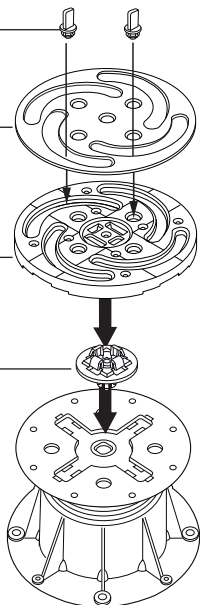


U-TABS

U-E10-FLEX

U-TOP-FLEX

PB-KIT-8

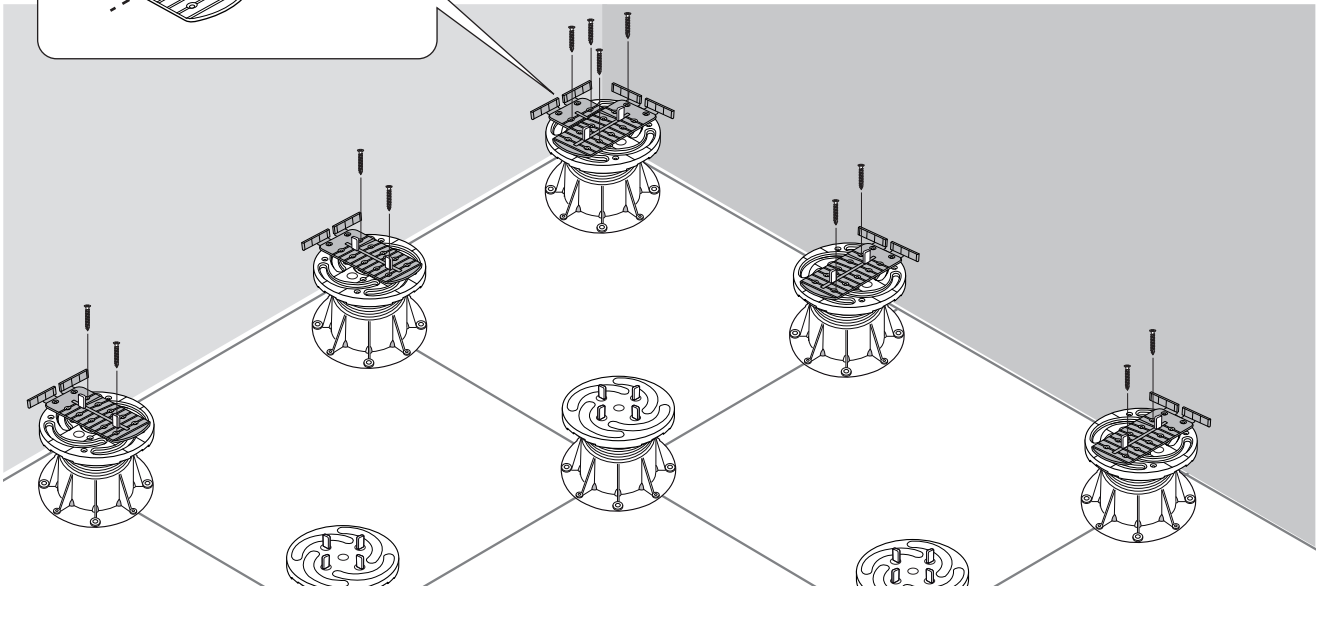
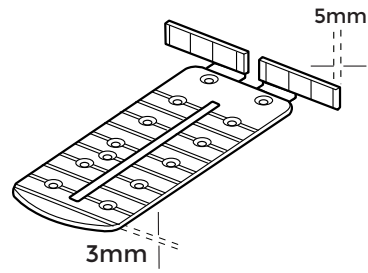
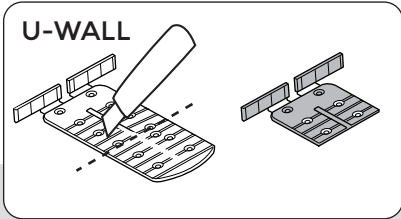


The minimum surface area of **U-TOP-FLEX** supporting the tile must be calculated for each type of application according to the **strength, thickness and quality of the tile.**

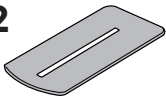
Buzon cannot be held responsible in case of breakage of the tile.

OPTION: U-WALL

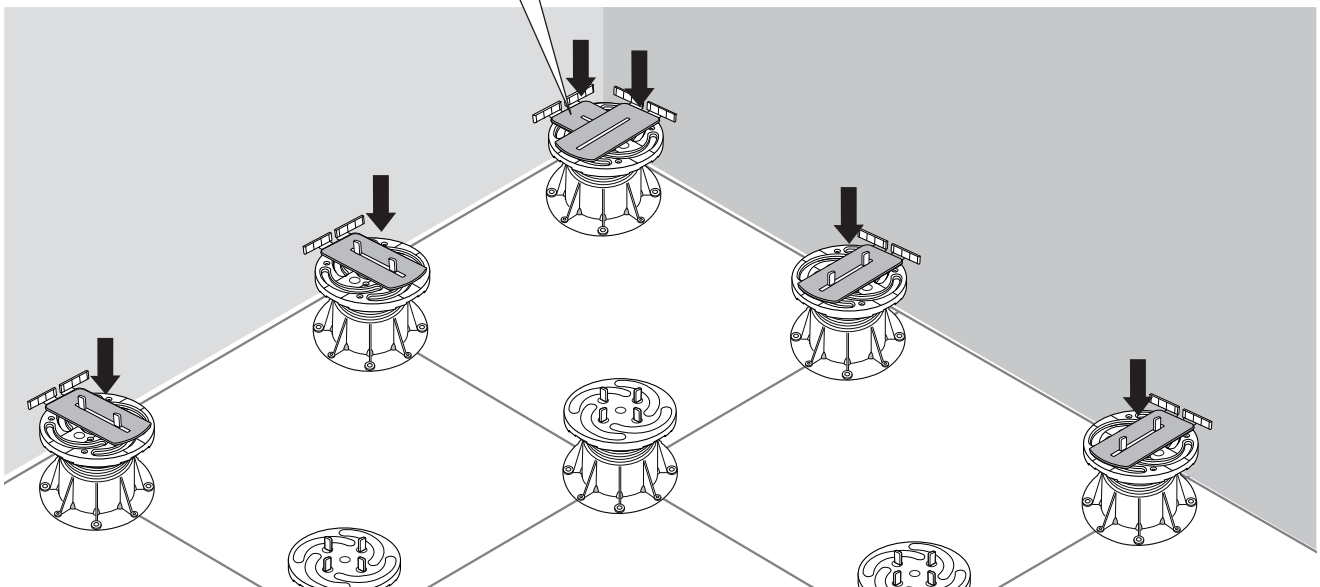
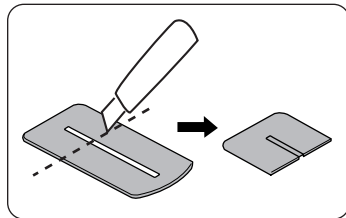
1



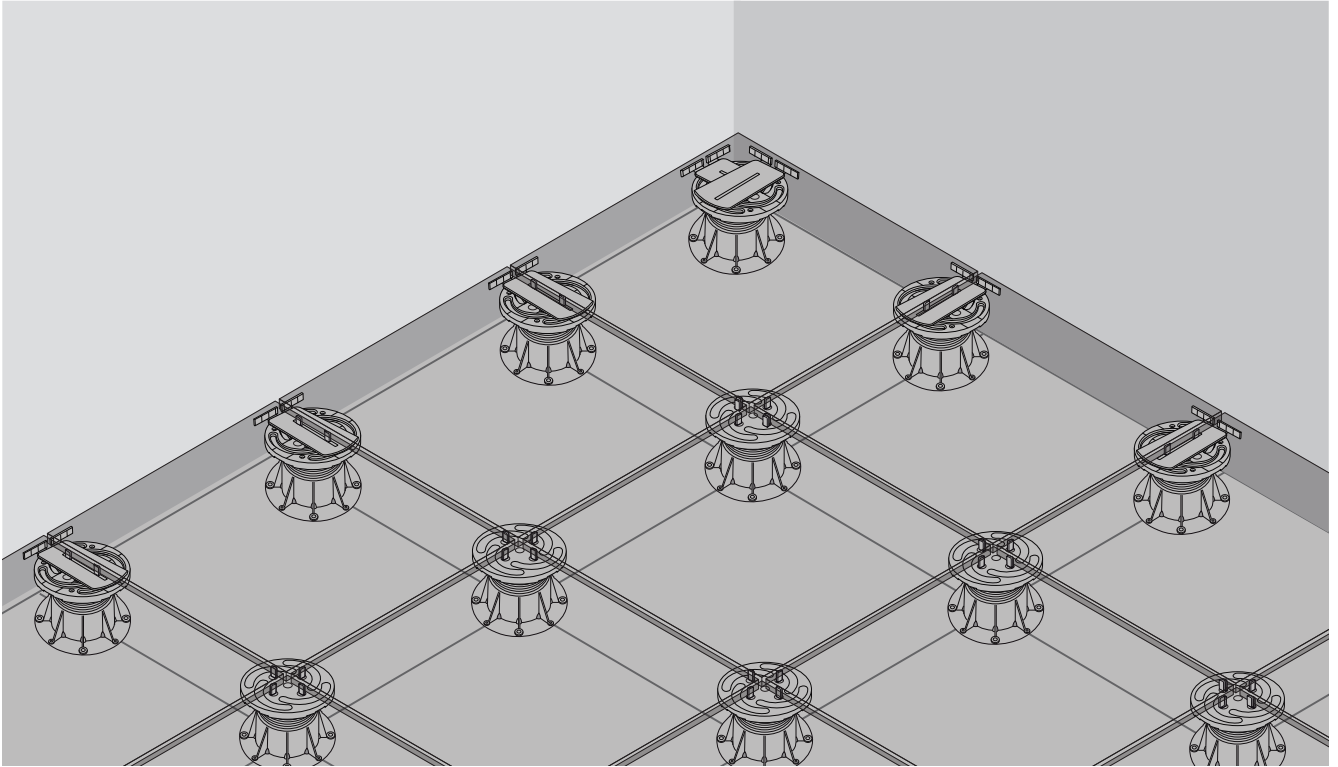
2



U-E20-WALL (2mm)

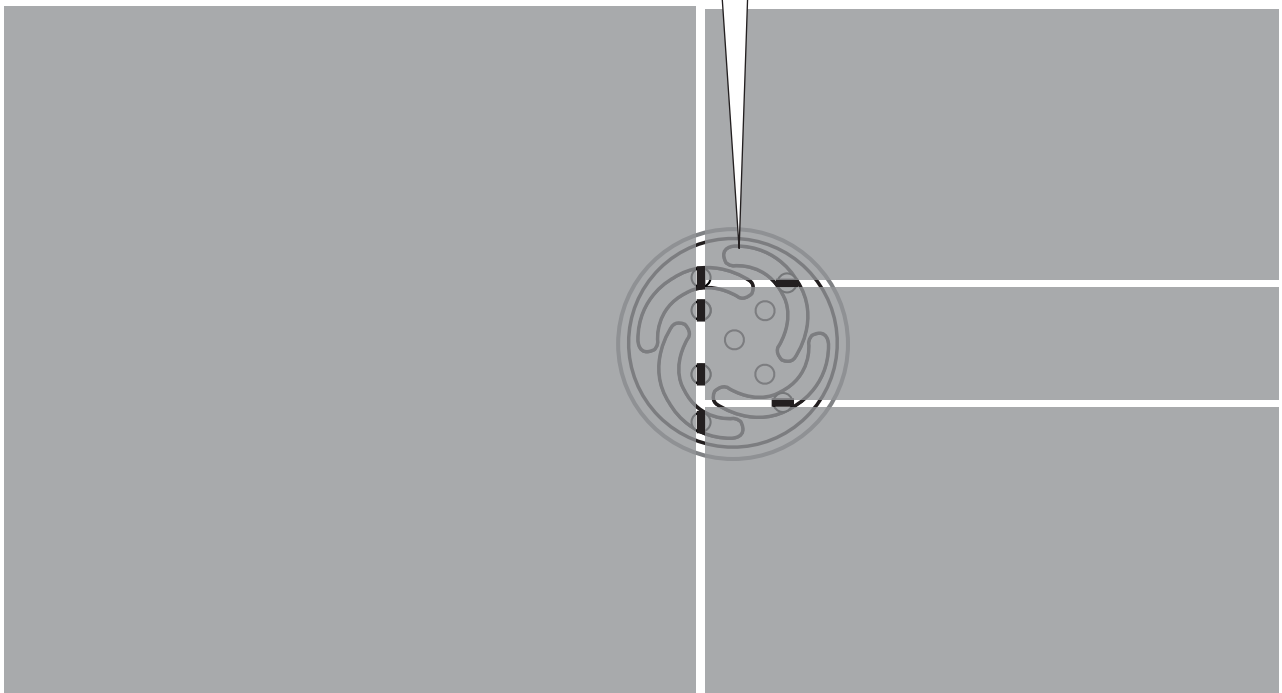


3



The minimum surface area of **U-TOP-FLEX** supporting the tile must be calculated for each type of application according to the **strength, thickness and quality of the tile.**

Buzon cannot be held responsible in case of breakage of the tile.





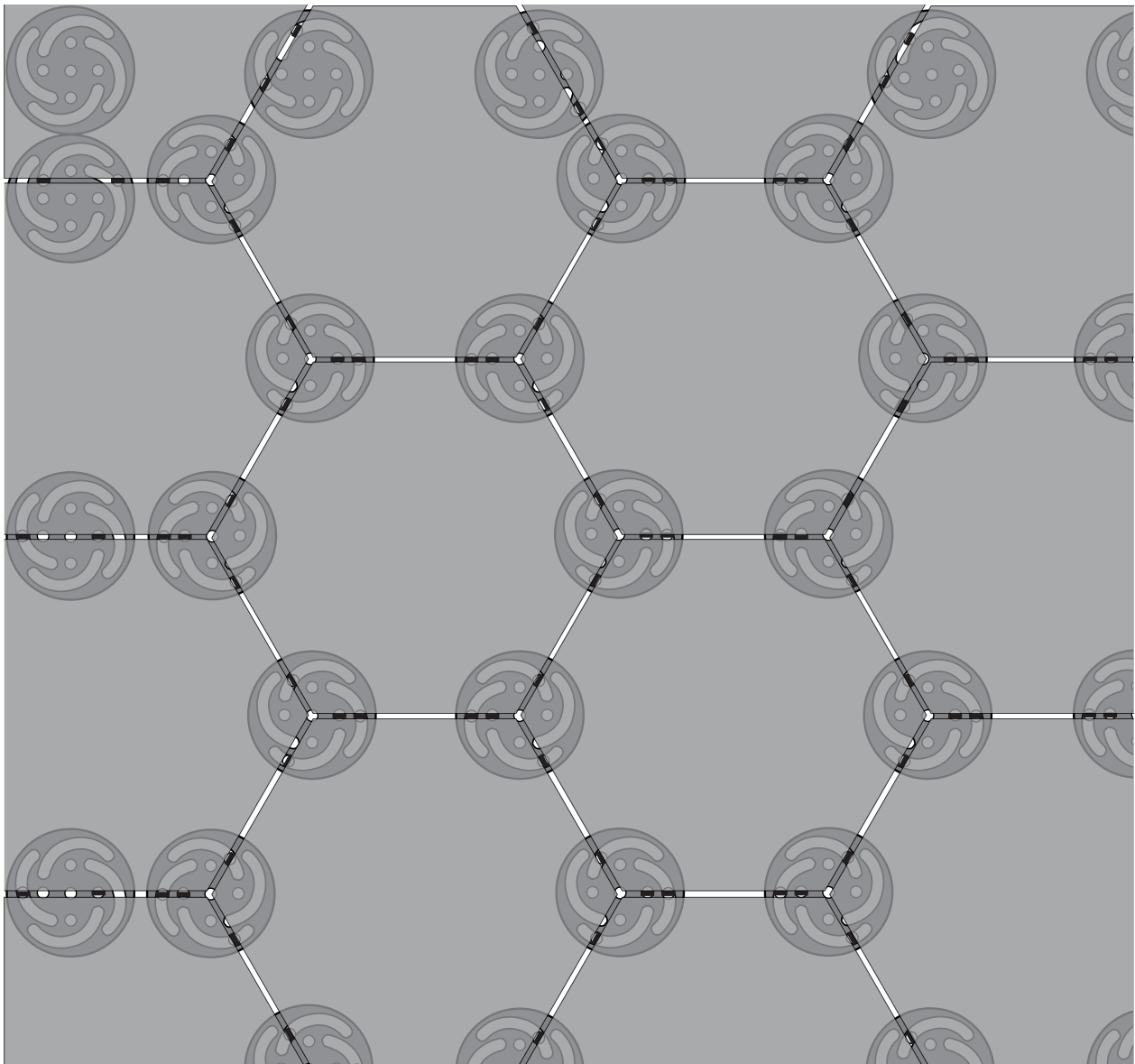
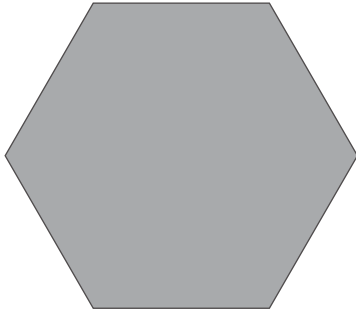
U-TOP-FLEX

PB-Series

p.10

©copyright, 2020 BUZON PEDESTAL INTERNATIONAL

 The minimum surface area of U-TOP-FLEX supporting the tile must be calculated for each type of application according to the strength, thickness and quality of the tile. Buzon cannot be held responsible in case of breakage of the tile.



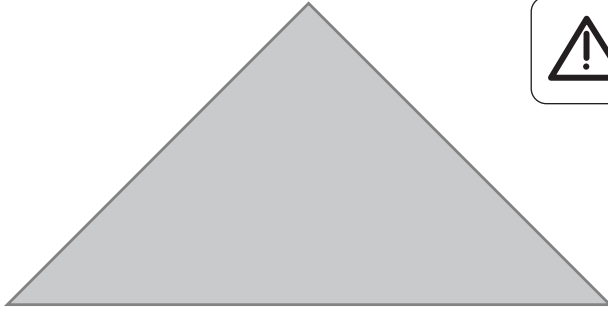


U-TOP-FLEX

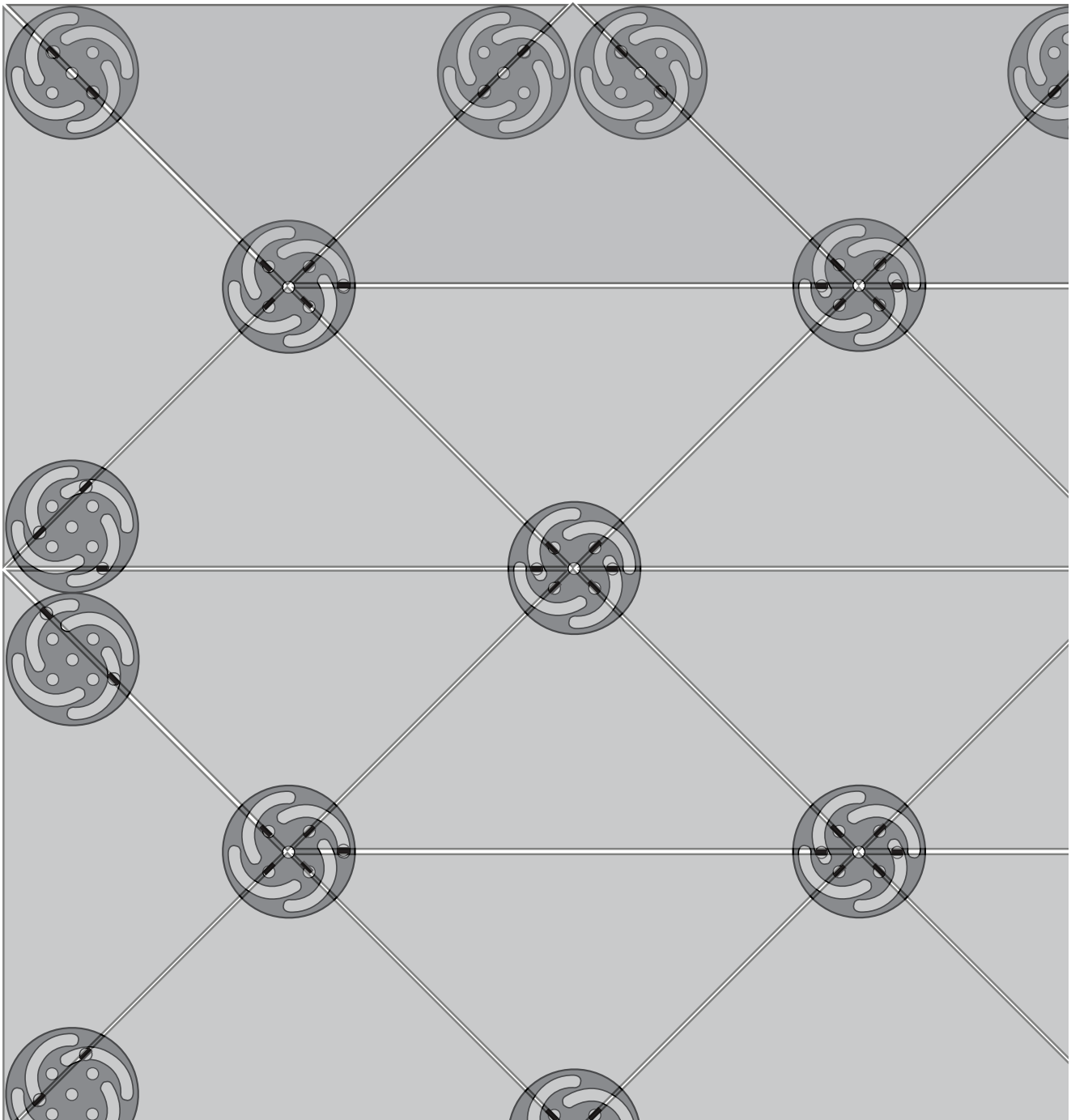
PB-Series

p.11

©copyright, 2020 BUZON PEDESTAL INTERNATIONAL

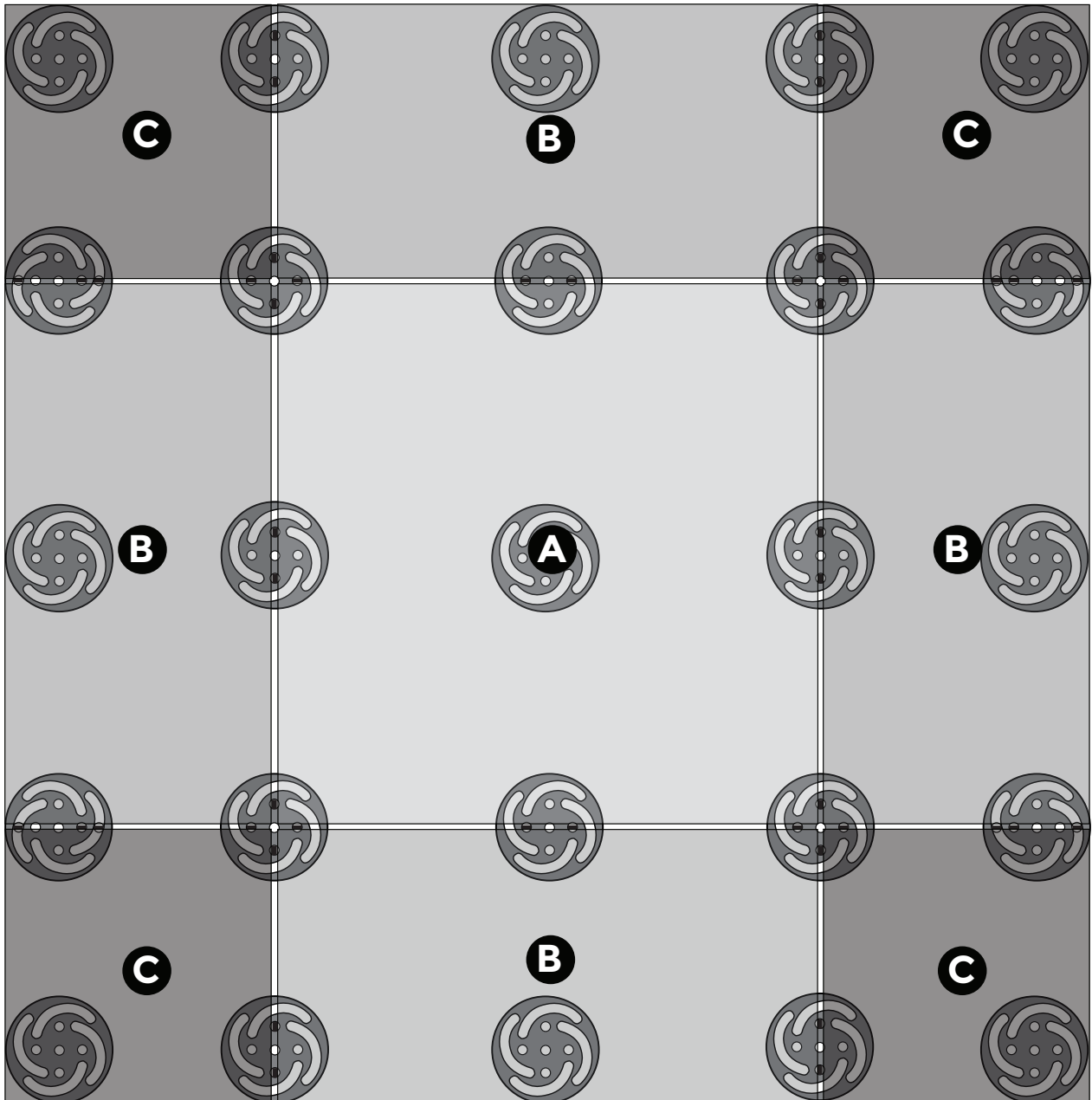
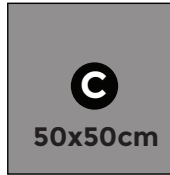
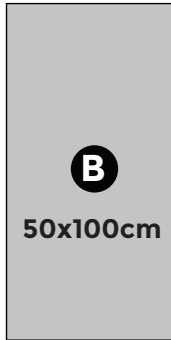
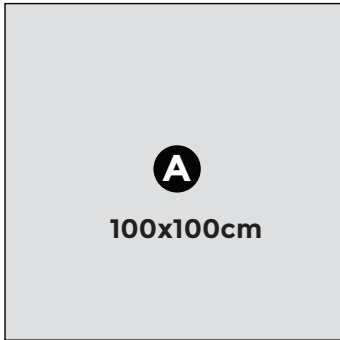


 The minimum surface area of U-TOP-FLEX supporting the tile must be calculated for each type of application according to the strength, thickness and quality of the tile. Buzon cannot be held responsible in case of breakage of the tile.





The minimum surface area of U-TOP-FLEX supporting the tile must be calculated for each type of application according to the strength, thickness and quality of the tile. Buzon cannot be held responsible in case of breakage of the tile.





Providing Architects and Builders with
Superior Paving, Decking and Pedestal Products.

Commercial | Luxury Residential | Municipal

Extended Team

We can also provide technical consultation and installation training for projects that involve Buzon Pedestals. Please contact us to discuss your particular needs. HDG Building Materials also has a network of experienced installers in many major cities. Please contact us for introductions or referrals.

Sales Representatives

Sales representatives for HDG Building Materials are located in the Pacific Northwest, Southern California, and Iowa.

Outside of those regions? No problem, we are happy to serve. Please contact us at 503.360.9551



HDG Building Materials
Commercial | Luxury Residential | Municipal

5317 NW Goodwin Loop
Camas, WA 98607

503.360.9551

sales@hdgbuildingmaterials.com

HDG Building Materials is an expert dealer
for Buzon Pedestals International.
HDG provides architectural
sales and support in North America.