



Buzon®

*Raising the world
to a higher level*



buzonpedestals.com



Product catalogue 2021

**PB Series
U-BRS System**





PB-Series

The latest development from Buzon, **PB adjustable pedestals** are perfect for creating residential and commercial spaces. The PB pedestal is easy to adjust from **18 to 955 mm** and allows quick and reliable installation. The enlarged surface of the head of the PB pedestal is specially adapted for the laying of ceramic pavers.

Thanks to its ingenious design, the PB pedestal is easy to adjust and allows for quick and robust installation. The enlarged surface of the top is specially adapted to support terraces made of natural stone, ceramic pavers, concrete floors of wooden boards or composite material.

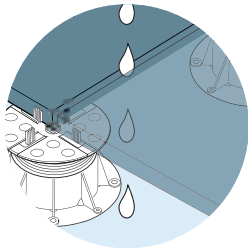
Laying on pedestals

Creating a terrace in a conventional manner is not always easy. Expansion of the joints, difficulty to evacuate the water, control of the slopes, etc. All these problems strongly compromise the durability of the terrace. It's in this context that laying on pedestals quickly became a requirement, responding to all the constraints encountered on the sites.

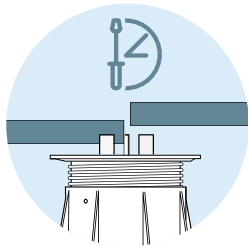
A veritable precursor in the sector, Buzon® was able to respond to market expectations and develop solutions and products for all types of projects. Residential terraces, flat roof terraces, garden landscaping, fountain terraces, podiums, marquees, technical floors for industrial applications, etc. Buzon® offers solutions for every implementation.



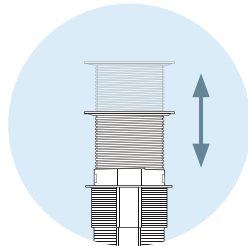
ADVANTAGES:



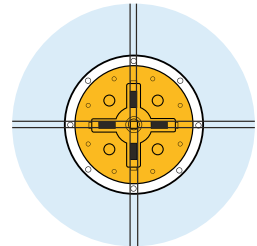
Presence of open joints avoiding all risks of cracking as compared to closed joints. Water evacuation made easier



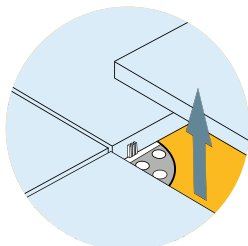
Quick and easy installation



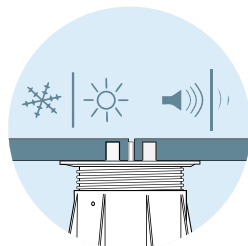
Pedestals adjustable from 18 to 955 mm



High stability thanks to a large top of the pedestal



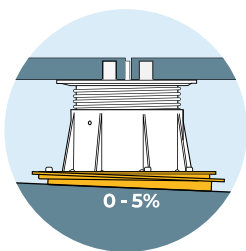
Easy access to the waterproofing membrane or substructure



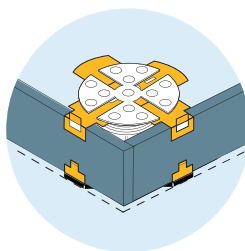
Better thermal and acoustic insulation



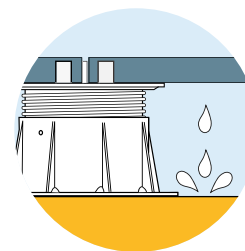
Sustainable solution



Easy and precise slope correction up to 5%



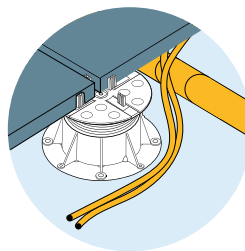
A broad series of accessories for the terrace finish



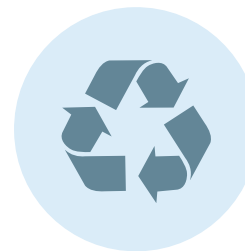
Respect of the waterproofing membrane



A system supporting heavy loads



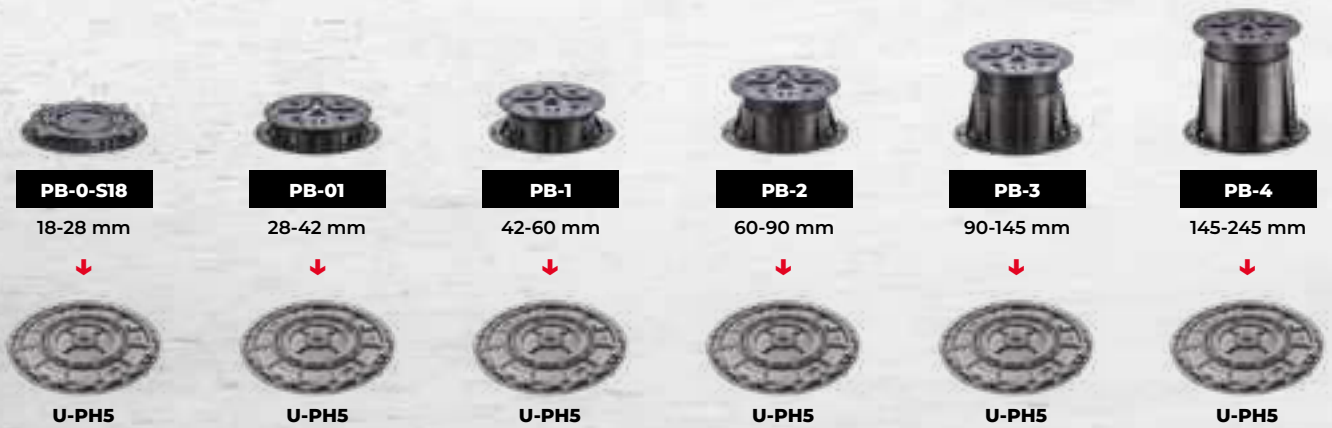
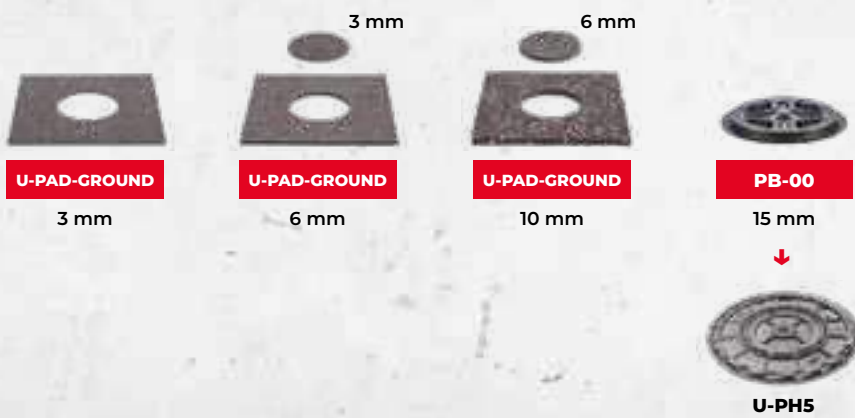
Concealing technical equipment



100% recyclable



“Adjustable pedestals from 3 to 955 mm”



Our PB-Series



Fixed



Adjustable



The PB pedestal can be used with the U-PH5 slope corrector, placed under the base of the pedestal.



U-PH5



With the U-PH5 slope corrector, the additional height is 14 mm.

Composition of the PB pedestal

Top of the pedestal

The top of the pedestal screws directly into the base or in the riser sleeves to meet additional height requirements.

This extra large top has been specially developed for laying thick stoneware tiling. Various accessories are fixed on the top of the pedestal to respond to the problems encountered on the sites.

PB-4-TOP

Diameter of the top 170 mm, surface 227 cm²

Riser sleeves

The PB riser sleeves are interposed by screws between the base and the top of the pedestal to create the "great heights" pedestals of the PB series.

The riser sleeves enable a maximum height of 955 mm to be achieved.

PB-C1

H: + 85 mm to +120 mm

PB-C2

H: + 195 mm to +235 mm

Base of the pedestal

The base can be simply laid or fixed on any type of compatible medium.

PB-4-BASE

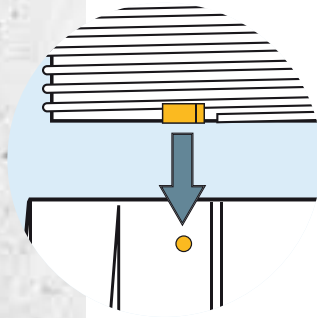
Diameter of the base 197 mm, surface 305 cm²



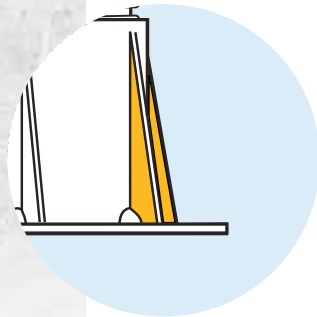
The detailed composition of the pedestal is shown on pp. 65 to 68.

Security system

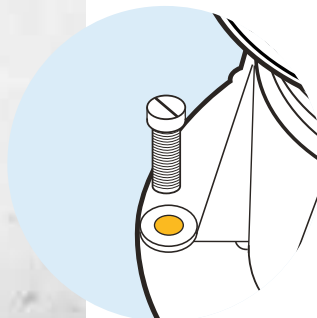
The pedestals of the PB series are equipped with an unscrewing safety system thus preventing each element from detaching at the maximum height reached.



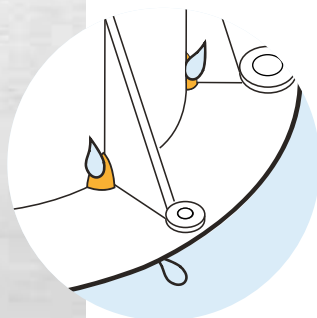
Lateral reinforcements bolster the stability of the pedestal



8 holes enable the fastening of the pedestal



8 holes at the base of the pedestal ensure complete drainage



The PB-0-S18 pedestal

The latest pedestal in our PB series, the **PB-0-S18** is adjustable from 18 to 28 mm. Thanks to its spurs, it easily adjusts in height which allows quick and reliable implementation. The PB-0-S18 pedestal will facilitate the construction of terraces when the reserve height is low.



PB-0-S18
18-28 mm



ACCESSOIRES

Spacer tabs for the PB-0-S18 pedestal



PB-0-S-TABS
2 mm



PB-0-S-TABS
3 mm

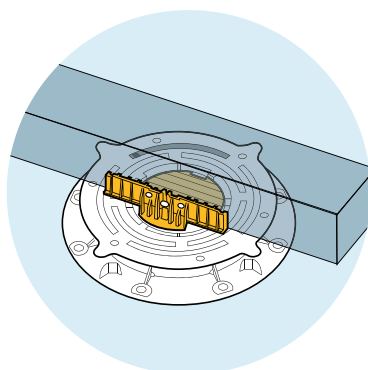


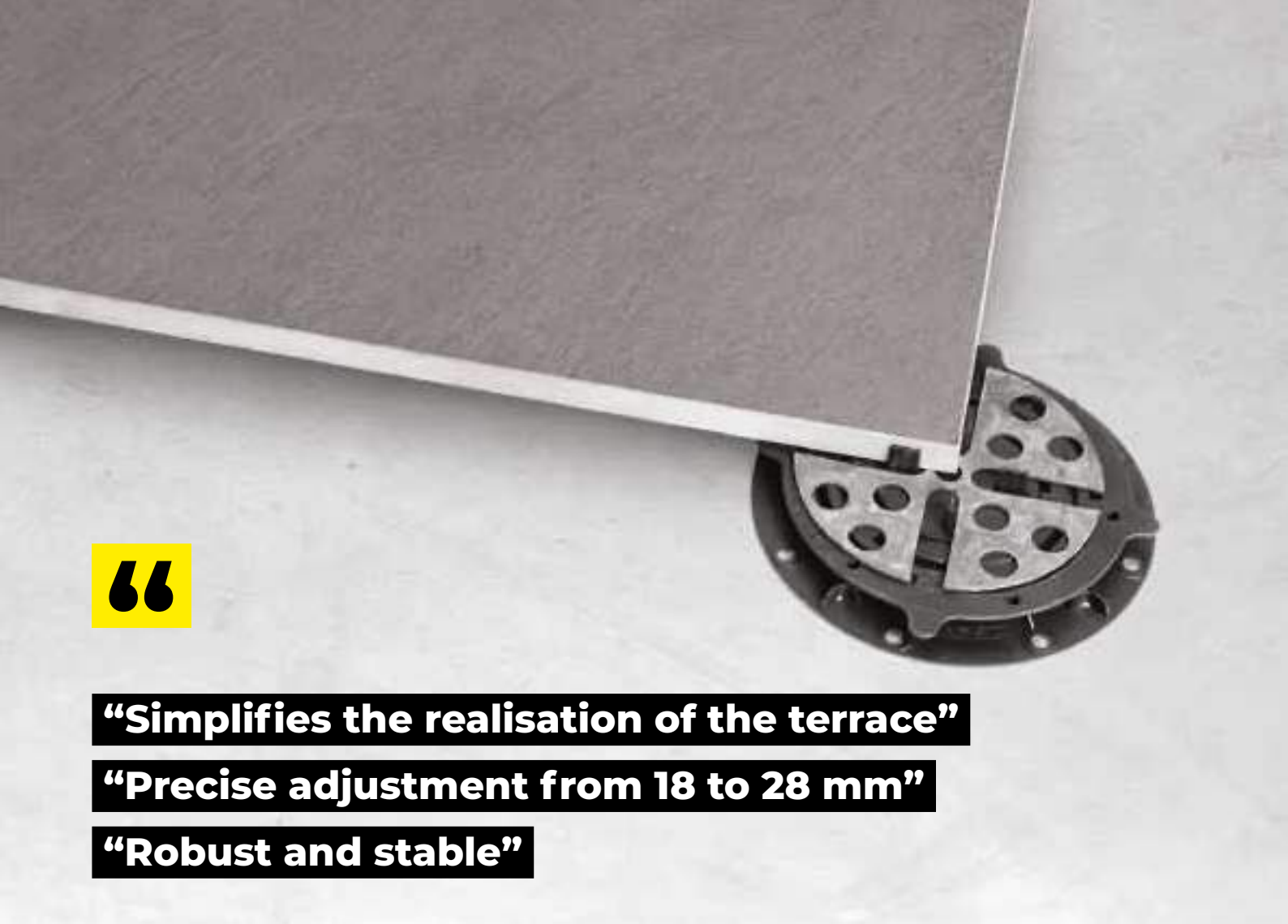
PB-0-S-TABS
4.5 mm

Support for wooden joist



DPH-KIT-5





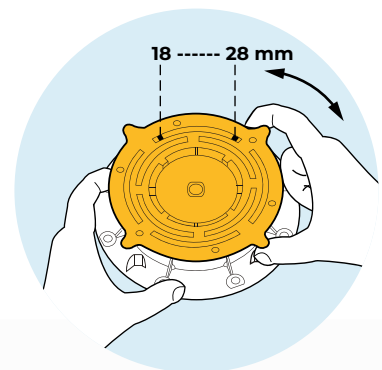
“Simplifies the realisation of the terrace”

“Precise adjustment from 18 to 28 mm”

“Robust and stable”

ADVANTAGES

If the adjustment height is known, it is possible to adjust the PB-0-S18 precisely with its spurs before placing it.



U-PAD GROUND, U-TABS-FLAT

HOW TO USE OUR SYSTEM

Buzon® solves and secures the problem of "low heights" under pavers. The combination of the **U-PAD** and **U-PAD GROUND** accessories and levellers helps to build terraces when the height available under the paver is limited to between 3 and 17 mm. The system provides a flat terrace with good distribution of the laying surface (the pavers are "held" better).



U-TABS FLAT
2 mm



U-TABS FLAT
3 mm



U-TABS FLAT
4.5 mm



U-PAD GROUND
3 mm



U-PAD GROUND
6 mm



U-PAD GROUND
10 mm



U-PAD
6 mm



U-PAD
10 mm



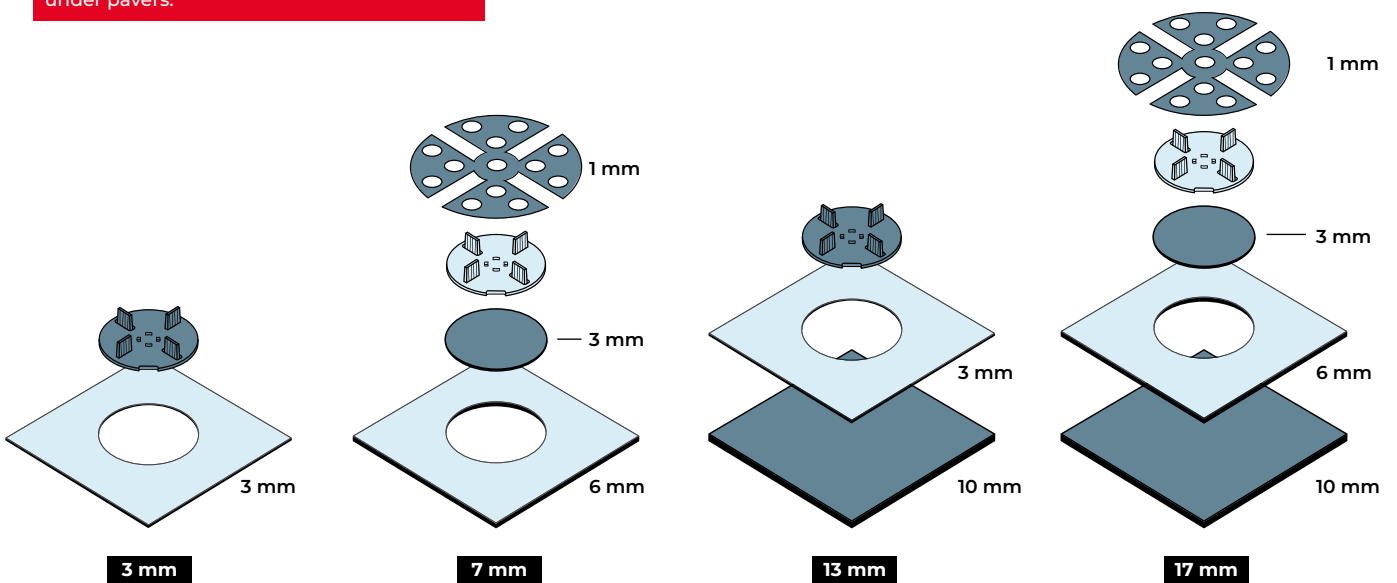
The U-PAD GROUND and the U-TABS FLAT form a product combination but are sold separately.





**“Height under
pavers from
3 to 17 mm”**

Different combinations of accessories are possible to achieve the desired height under pavers.







2

PB ACCESSORIES

PB accessories

A range of accessories complete the PB series pedestals to facilitate the realisation of the terrace. Whatever the configuration of the project, we offer easy and reliable solutions to the various problems encountered on sites.

“

“A multitude
of possibilities”



Levellers

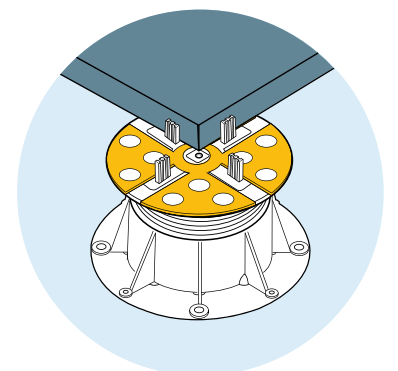
The (U-E10 or U-E20) leveller is a 1 or 2 mm wedge in the shape of a clover leaf. It stabilises the pavement, provides additional acoustic comfort and compensates for variations in paver thickness.



U-E10
1 mm

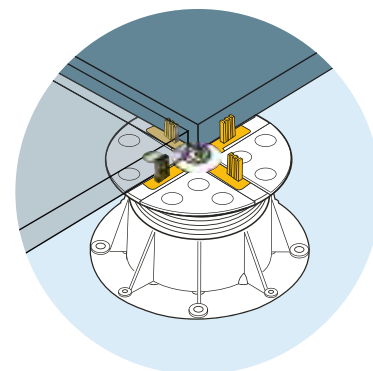


U-E20
2 mm



Spacer tabs

The PB-TABS spacer tabs of 17 mm in height are available in different thicknesses: 2 mm, 3 mm, 4.5 mm, 6 mm, 8 mm and 10 mm. They guarantee a uniform alignment of the pavers placed on the top of the Buzon@pedestal.



PB-TABS
2 mm



PB-TABS
3 mm



PB-TABS
4.5 mm

H: 17 mm



PB-TABS
6 mm

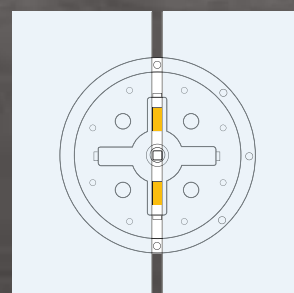
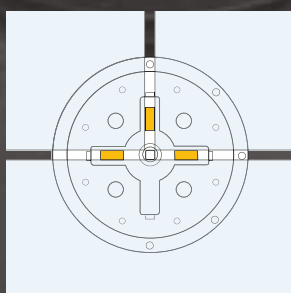
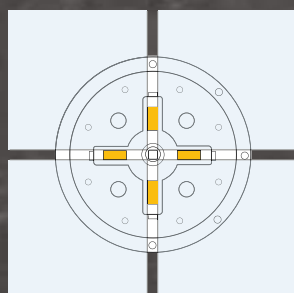
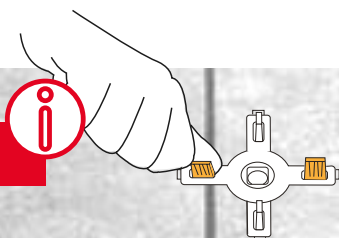


PB-TABS
8 mm



PB-TABS
10 mm

By detaching the spacer tabs, it is possible to create different laying configurations.

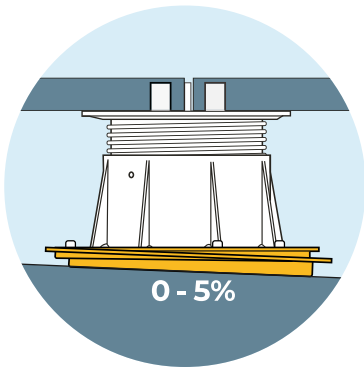




U-PH5
0-5%

Slope corrector

In order to manage slopes during the implementation of the terrace, we recommend the use of a **U-PH5 slope corrector**. This adjustable tray is placed under the base of the pedestal and guarantees perfect control of the slopes. It creates a counter-slope of 0 to 5% at intervals of 0.5%, which facilitates the installation of a horizontal or inclined terrace.

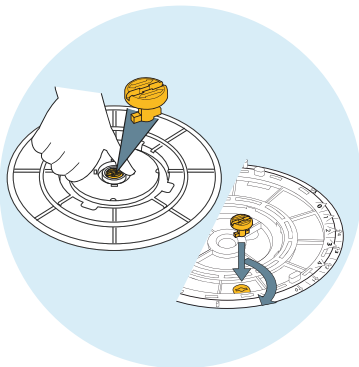


With the U-PH5 slope corrector, the additional height is 14 mm.

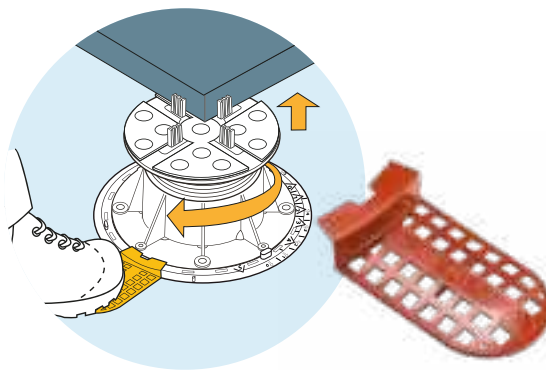
“

“Master slopes
thanks to our
U-PH5 slope
corrector”

CHARACTERISTICS



Locking key: The locking key at the centre of the slope corrector is used to lock the corrector at the desired value.



Key foot: enables the orientation of the corrector to be maintained when adjusting the height of the pedestal.

KEY FOOT



U-KIT-SL80

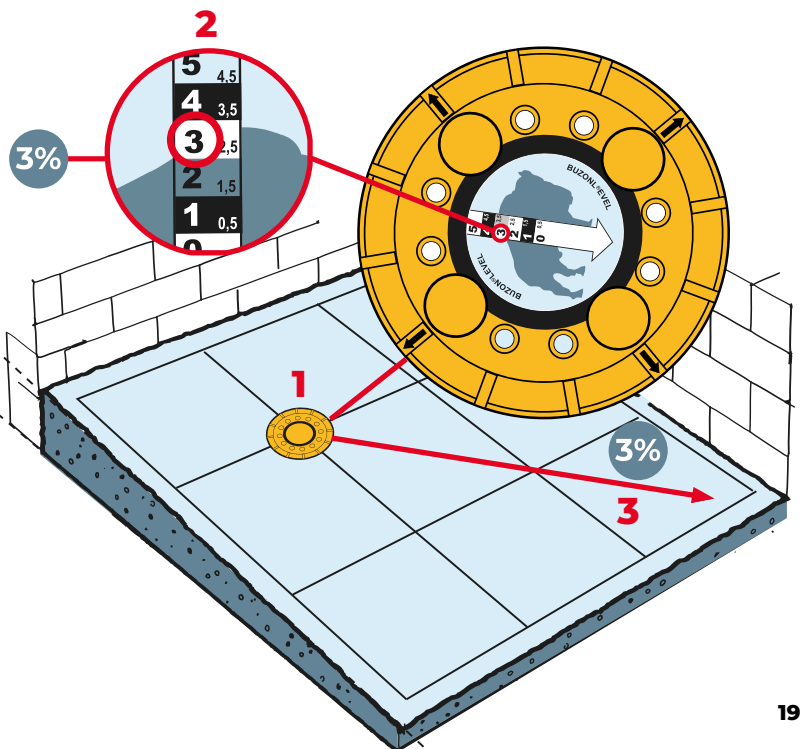
Spirit level

The Buzon® **U-KIT-SL80** spirit level is the essential tool for mastering slopes. It measures the value and direction of the slope of the terrace support at any location. This information is essential for the use of our slope correction systems.

1 To determine the value and direction of the slope, position the spirit level at an intersection.

2 Orientate the spirit level to align the bubble with the arrow.

3 The bubble indicates the value of the slope in %. The alignment of the numbers indicates the direction of the slope to be straightened. Draw the arrow and the number on the ground. Example 3%.



Prolonged exposure of the spirit level placed on the ground at a temperature above 25°C makes the bubble disappear. Put the spirit level in the shade!



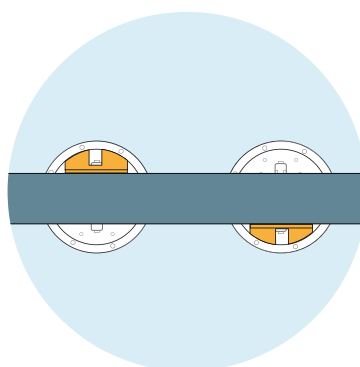
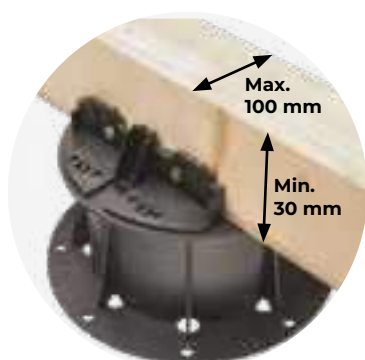


Joist support

The PB-KIT-5 joist support kit attaches to the top of the Buzon® pedestals with our plug-in system from the PB series. It firmly holds up the joists supporting the terrace boards.



PB-KIT-5





**“Helps to create
wood or composite
board terraces”**

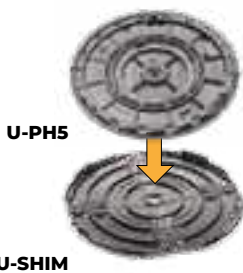


Riser

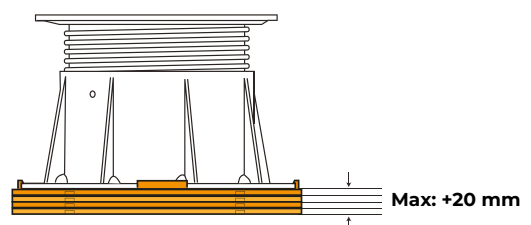
Thanks to the U-SHIM 5 mm riser, the total height of the pedestal can be increased by 5 mm (with the possibility to stack up to 4 elements), which is ideal for making small height adjustments on site.



U-SHIM
5 mm



Possibility to stack up to 4 elements.



U-SHIM is also compatible with our U-PH5 slope corrector.

U-PAD protection pad

200 x 200 mm



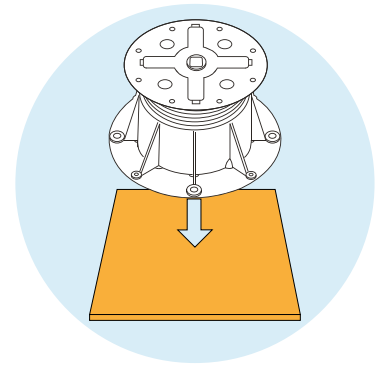
U-PAD
3 mm



U-PAD
6 mm



U-PAD
10 mm



The U-PAD protection mattress is made of recycled rubber. It is placed under the pedestal and provides additional acoustic comfort. It also helps protect the support if it is subject to puncturing.

Buzon® pedestals are designed to be fitted to most waterproofing membranes or rigid insulation panels.



200 x 100 mm

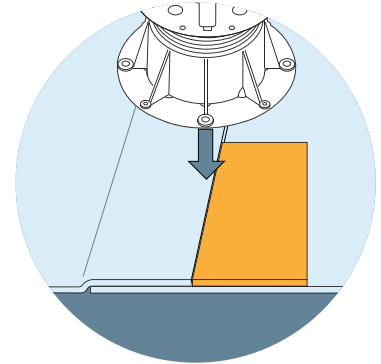


U-PAD
6 mm



U-PAD
3 mm

If needed, the U-PAD mattresses can be used as risers and to fill in differences in levels (e.g. different levels of waterproofing membranes).



90 x 60 mm

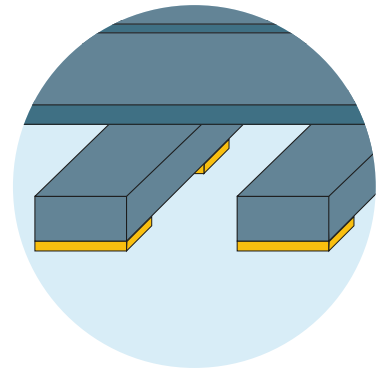


U-PAD
6 mm



U-PAD
10 mm

The U-PAD protection mattresses are also available in a format (90 x 60 mm) adapted for use under wooden joists. They provide better acoustic comfort and can be stacked (up to 4 protections).



All our U-Pad mattresses
are non-perishable.



BSW Regupol®
Sound insulation up to 23 dB

Up to 37dB with Regupol®
Sound and Drain





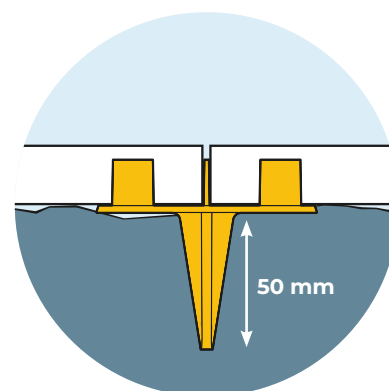
**“A multitude
of possibilities”**

U-TABS SPIKE creates a standard space
of 2, 3 or 4.5 mm between pavers



U-TABS SPIKE

The **U-TABS SPIKE** spacer tab enables the direct laying of pavers on soft ground, gravel, lawns, etc. It is planted directly in the ground and facilitates the creation of terraces or Japanese steps.



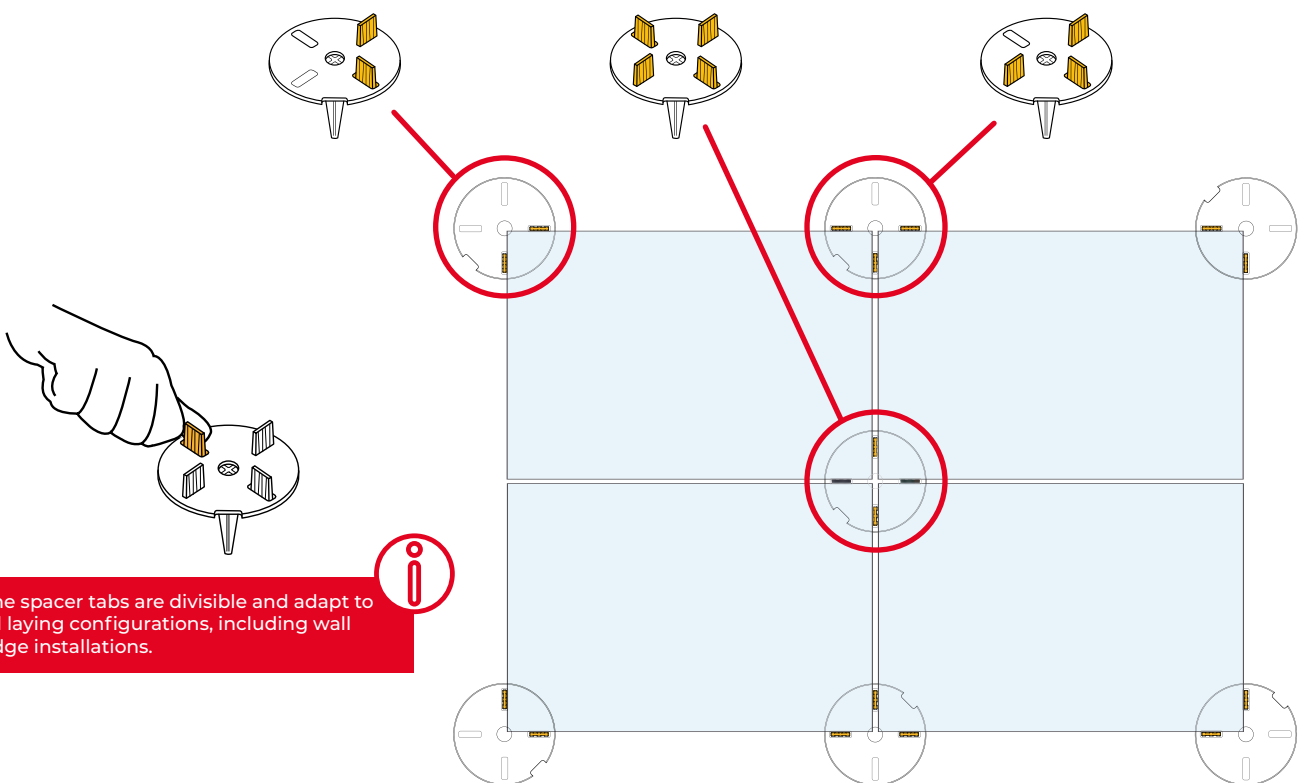
U-TABS SPIKE
2 mm



U-TABS SPIKE
3 mm



U-TABS SPIKE
4.5 mm



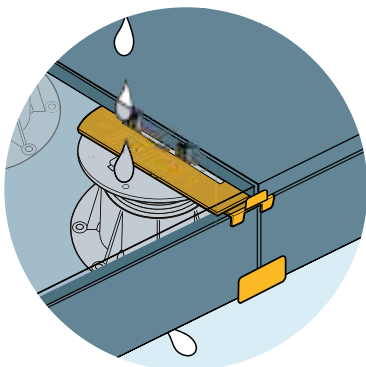
The spacer tabs are divisible and adapt to all laying configurations, including wall edge installations.



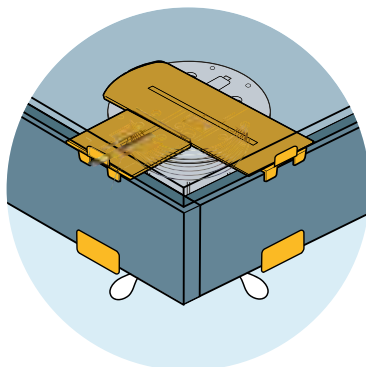
**“Discreet under
the pavers”**

“Terrace perimeter” fastening

The **PB-END** finishing kit supports the peripheral pavers for cladding the edge of the space created under the terrace installed on PB pedestals. Two hooks on the top and base of the pedestal hold vertical 20 mm thick paver cuttings to ensure a solid and homogeneous finish.



LATERAL EDGE



ANGLE



PB-END



PB-END can be used from PB-1 pedestals measuring 50 mm minimum



PB-END is also available in stainless steel (PB-END-INOX)



NEW

U-TILES system

On its constant quest to come up with ever more comprehensive solutions, Buzon has developed a multifunctional finishing accessory, **U-TILES**. It allows you to lay small finishing patio tiles, either against a wall or side by side.

In addition, U-Tiles makes it possible to incorporate smaller tiles into the patio design, allowing creative freedom for a beautiful finish.



- 1 U-TILES:** plate fastened on the head of the pedestal
- 2 PB-KIT-8:** universal fastener
- 3 U-TABS:** spacers to be placed on the plate in line with the terrace layout
- 4 U-END-LOCK:** fastener
- 5 U-END-BASE:** edging base
- 6 U-E20-EDGE:** leveller that gives the paver more stability
- 7 U-BRS-VIS**



U-TILES system

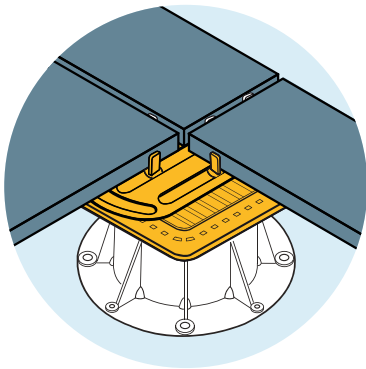


U-TILES can be used from PB-1 pedestals measuring min. 50 mm

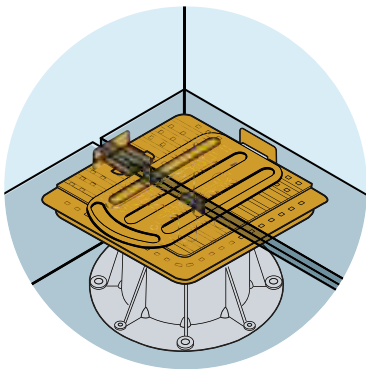
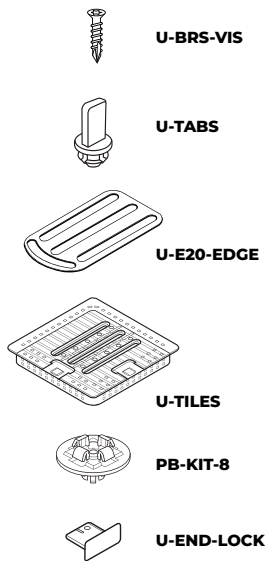


WALL PERIMETER AND CORNER FINISHES

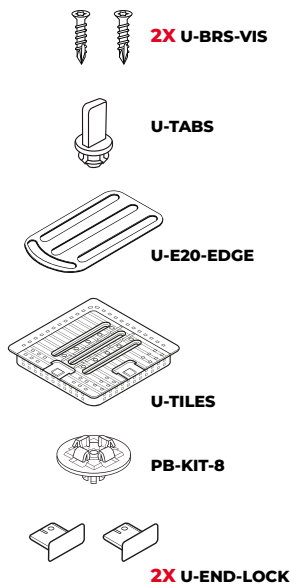
The **U-TILES** system is a support that allows the use of small cuts of paving along the wall perimeters and in corners. It also makes it possible to place and/or glue small pieces of paving all over the terrace (not just at the edge). U-TILES makes it easier to lay cuts of paving of various shapes and/or sizes.



WALL PERIMETER

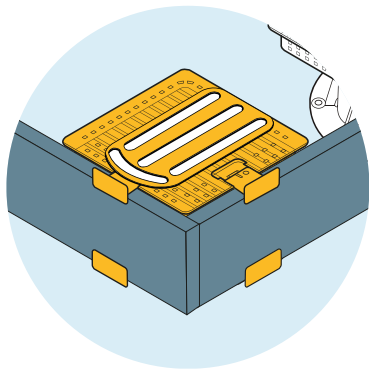


WALL CORNER



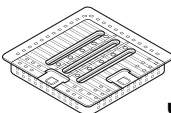


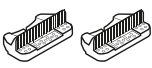


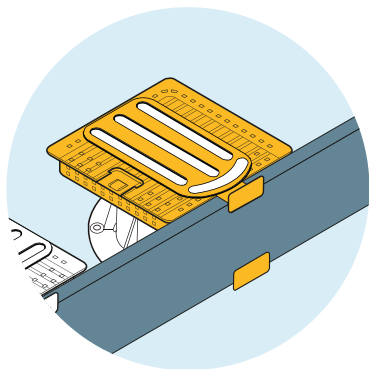
PLINTH FINISHING

U-TILES also allows plinths to be laid (between **20 and 30 mm** thick) at the terrace perimeter and corner.




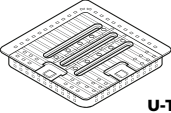





CORNER

-  **2X U-BRS-VIS**
-  **U-E20-EDGE**
-  **U-TILES**
-  **PB-KIT-8**
-  **2X U-END-LOCK**
-  **2X U-END-BASE**



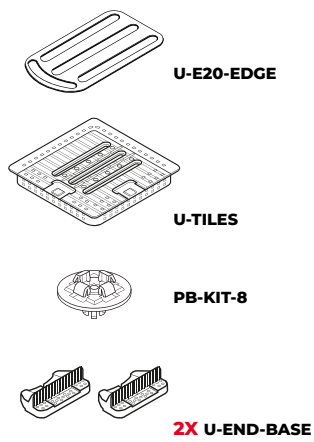
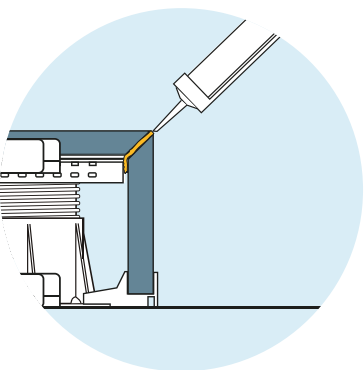
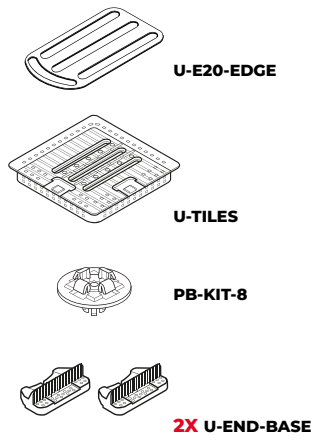
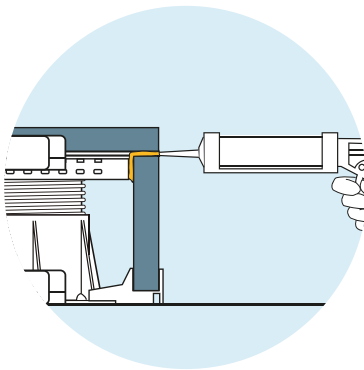
PERIMETER

-  **U-BRS-VIS**
-  **U-TABS**
-  **U-E20-EDGE**
-  **U-TILES**
-  **PB-KIT-8**
-  **U-END-LOCK**
-  **U-END-BASE**



INVISIBLE FINISH

Thanks to **U-TILES**, it will be possible to choose the plinth fastening method: with or without glue for an invisible finish.



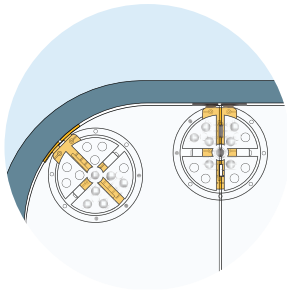
Perimeter Spacer

U-WALL creates a uniform 5 mm gap between the pavers and the wall, enabling water flow which protects the terrace in the case of heavy rainfall, snow etc. It is placed on the top of the PB pedestal.

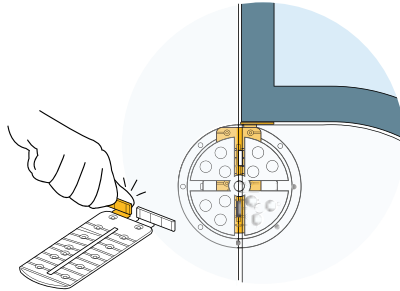


U-WALL
Patented

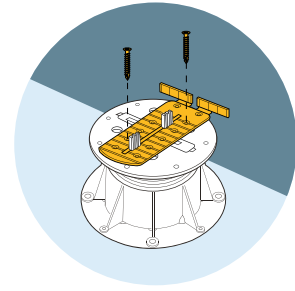
CHARACTERISTICS



With its flexible tile retainers, the U-WALL can be installed on terraces of any shape: angular, curved etc. which makes installation easier and more efficient.



The spacer tabs can be detached to adapt to all types of layout.



The U-WALL can be fixed to the pedestals with screws to keep the pavers in place. It is also adjustable on the top of the pedestal to create an optimal gap.



For added stability, we recommend using the U-WALL support with the U-E10-WALL (1 mm thick) or U-E20 -WALL (2 mm) leveller. This guarantees the stability of the paver.

+ 3 mm

With the U-WALL wall edge separator, the additional height is 3 mm.

U-E10/20-WALL
1 / 2 mm

Paving support at the perimeter of the terrace

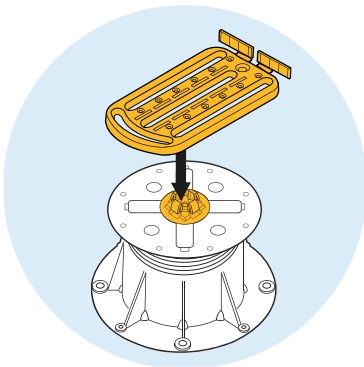
The **U-EDGE** is an adaptable support that attaches to the PB series pedestals. Due to its design, it creates a quick and easy solution to complete the implementation at the edge of a terrace. It can be used with any type of layout and all shapes of paving.



U-EDGE

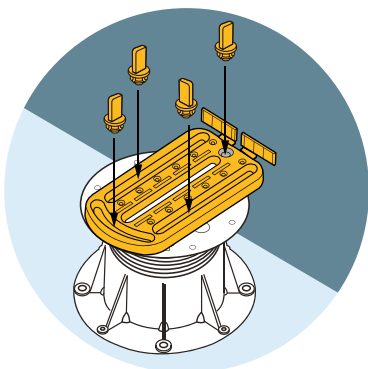
Patented

HOW TO USE THE U-EDGE SUPPORT



PB-KIT-8

U-EDGE is a support enabling the usage of small paver cuttings (from 2 to 14 cm wide) at the edge of the wall. These small pavers are placed on the support which can be screwed on to the pedestal or fixed using the **PB-KIT 8**.



U-TABS

2 mm



U-TABS

3 mm



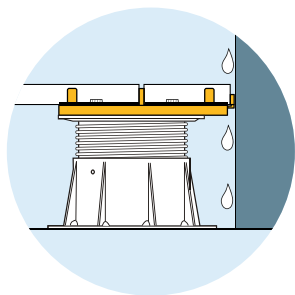
U-TABS

4.5 mm

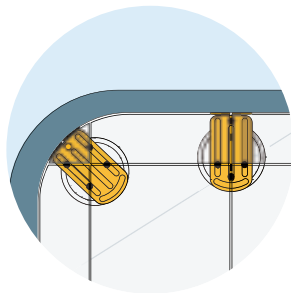
The **U-TABS** spacer tabs 2, 3 and 4.5 mm thick are used with the U-EDGE. By fixing these in the required location, they create a gap between the paving keeping the smaller cuts evenly spaced and holds them securely in place.



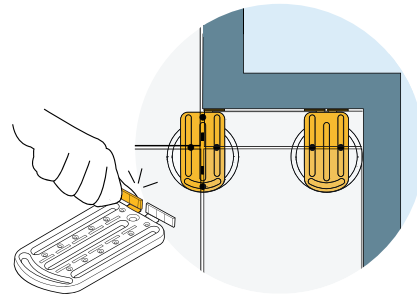
CHARACTERISTICS



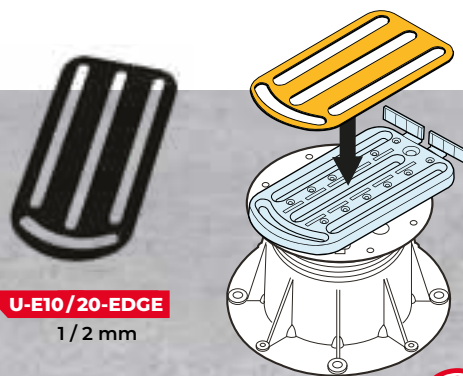
The U-Edge enables the creation of a space between the pavers and the wall keeping an even gap and enabling water flow which protects the terrace in the case of heavy rainfall, snow etc.



With its flexible spacer tabs, the U-Edge can be installed on terraces of any shape: angular, curved etc. which makes installation easier and more efficient.



The spacer tabs can be detached to adapt to all types of layout.



U-E10/20-EDGE

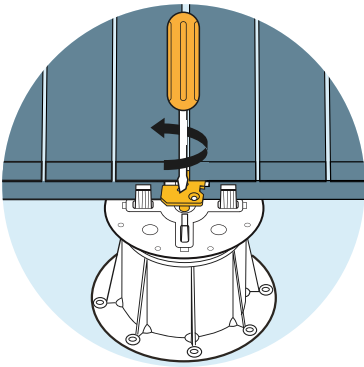
1/2 mm

 For added stability, we recommend using the U-EDGE support with the U-E10-EDGE (1 mm thick) or U-E20-EDGE (2 mm) leveller. This guarantees the stability of the paver.

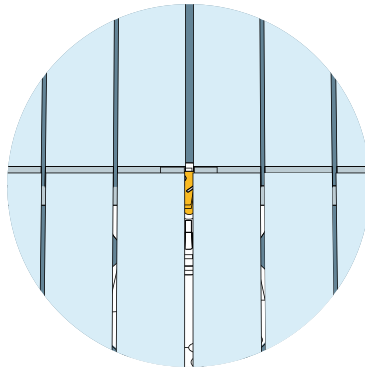
Fastening for wooden pavers

The **PB-FASTENER** makes it possible to fix wooden pavers and provides more stability in the event of high winds.

CHARACTERISTICS



The PB-Fastener is screwed in to the top of the pedestal. It adapts perfectly to all types of grooved wooden pavers.



Once placed, it is invisible



PB-FASTENER



Anti-lifting kit

The **U-WASHER** kit installs easily on all paver terraces and prevents them from lifting in case of strong gusts of wind.



U-WASHER

35 mm
Inox (316)

U-WASHER

50 mm
Inox (316)

U-Washer is available in 35 and 50 mm thicknesses



Warm Grey (RAL 1019)



Light ivory (RAL 1015)



Iron Grey (RAL 7011)



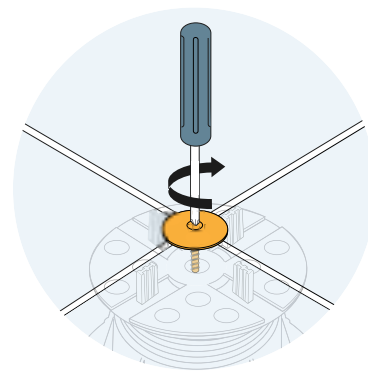
Window Grey (RAL 7040)



Signal Black (RAL 9004)



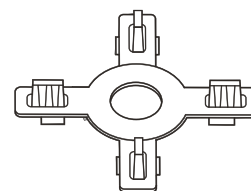
Polycarbonate



**U-WASHER
Screw**



U-WASHER



PB-TABS 4.5 mm



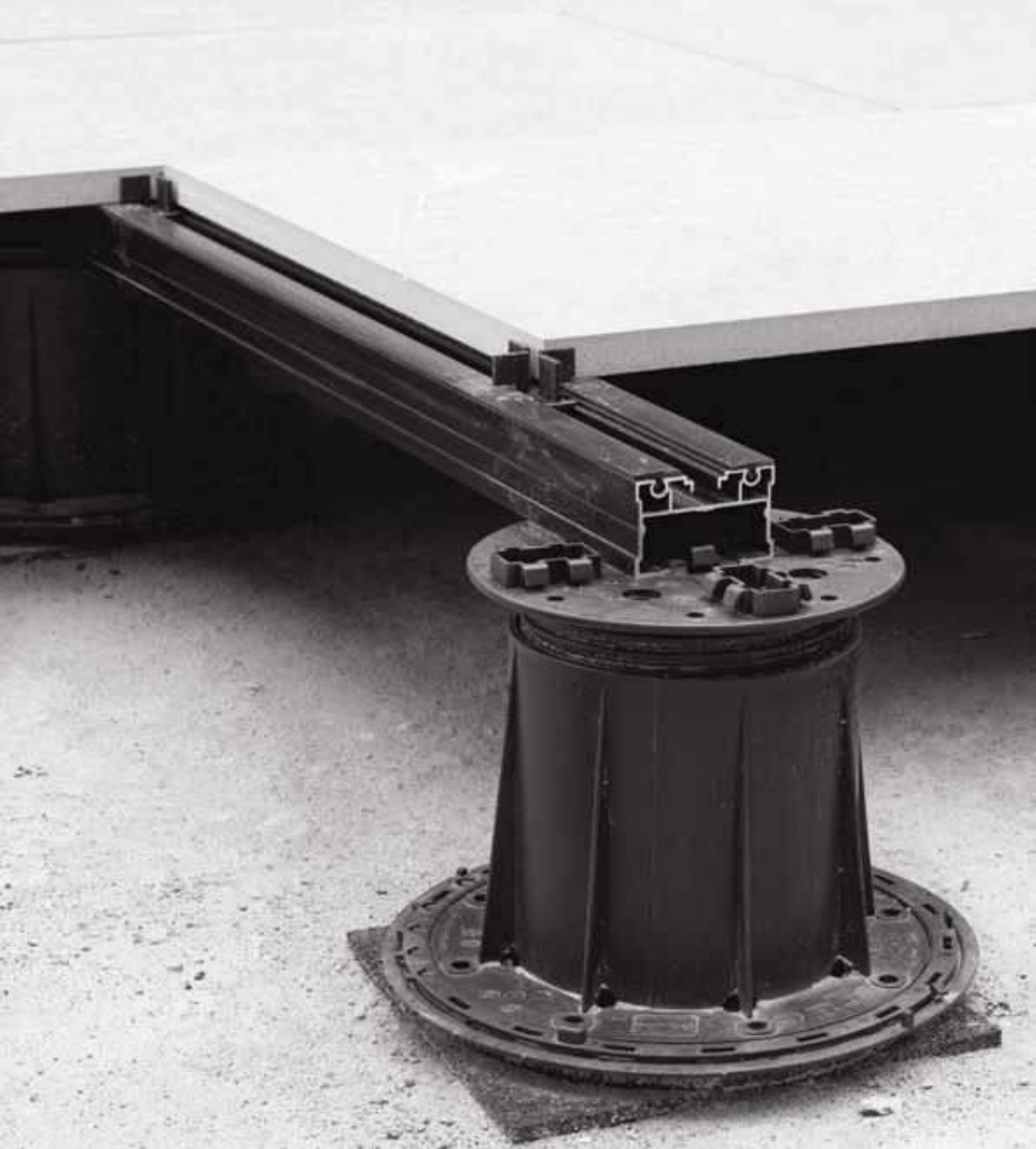
PB-KIT-1



U-Washer exists in various colours to adapt perfectly to the colours of the pavers. On request, we can create personalised U-Washers according to your RAL colours.

U-Washer can be fixed with U-Washer-vis (screws), PB TABS 4.5 mm and PB-KIT-1.







U-BRS System

Buzon Rail System (BRS) revolutionises the realisation of raised terraces

The new **U-BRS** laying system for outdoor raised floors ensures simple and easy installation. Used as a support system, it guarantees great stability and facilitates the arrangement of outdoor spaces.

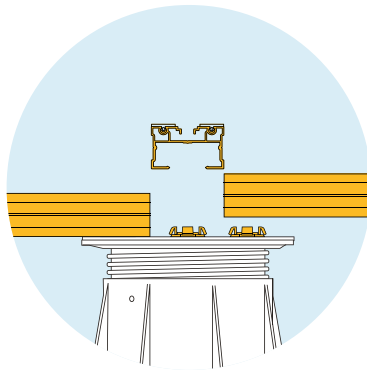
Why choose the U-BRS System?

The **U-BRS** system and its aluminium joists facilitate the laying of 20 mm ceramic pavers of all sizes. With a thickness of 24 or 38 mm, the joists guarantee a superior resistance to the applied loads and only require a gap of 80 cm (maximum) between each supporting pedestal for the 38 mm joists and a spacing of 60 cm (maximum) for 24 mm joists.

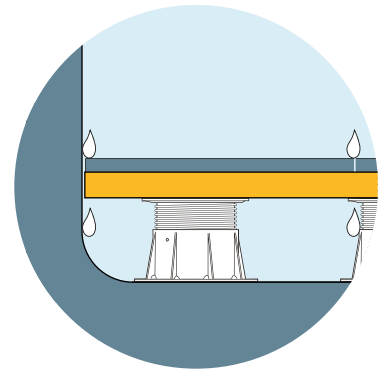
SEVERAL ADVANTAGES



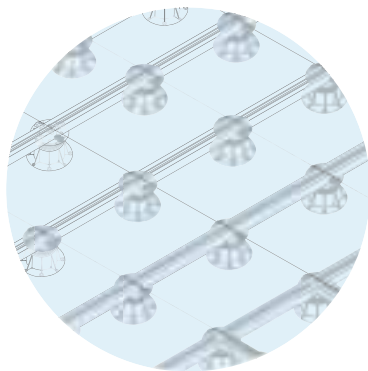
Time savings



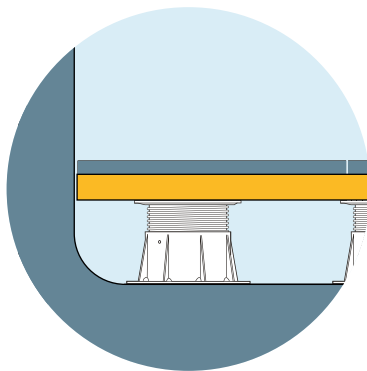
Simplified laying of pedestals



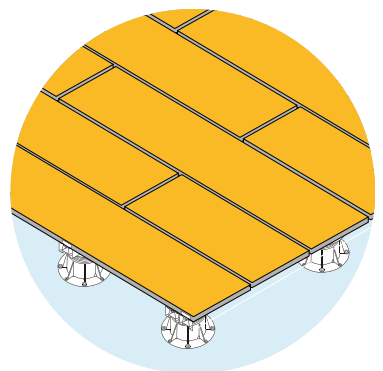
Aids drainage of rainwater



High stability of pathway surfaces



Stability of overhangs



Possibility of laying irregular sizes of pavers/boards (e.g. large format 120 x 120 cm or small width 20 x 120, 30 x 120 cm)

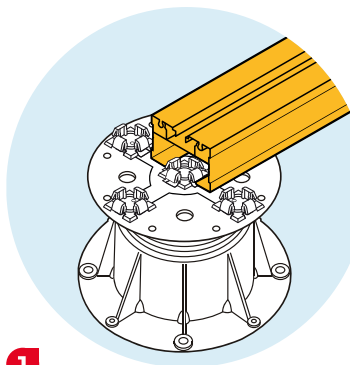
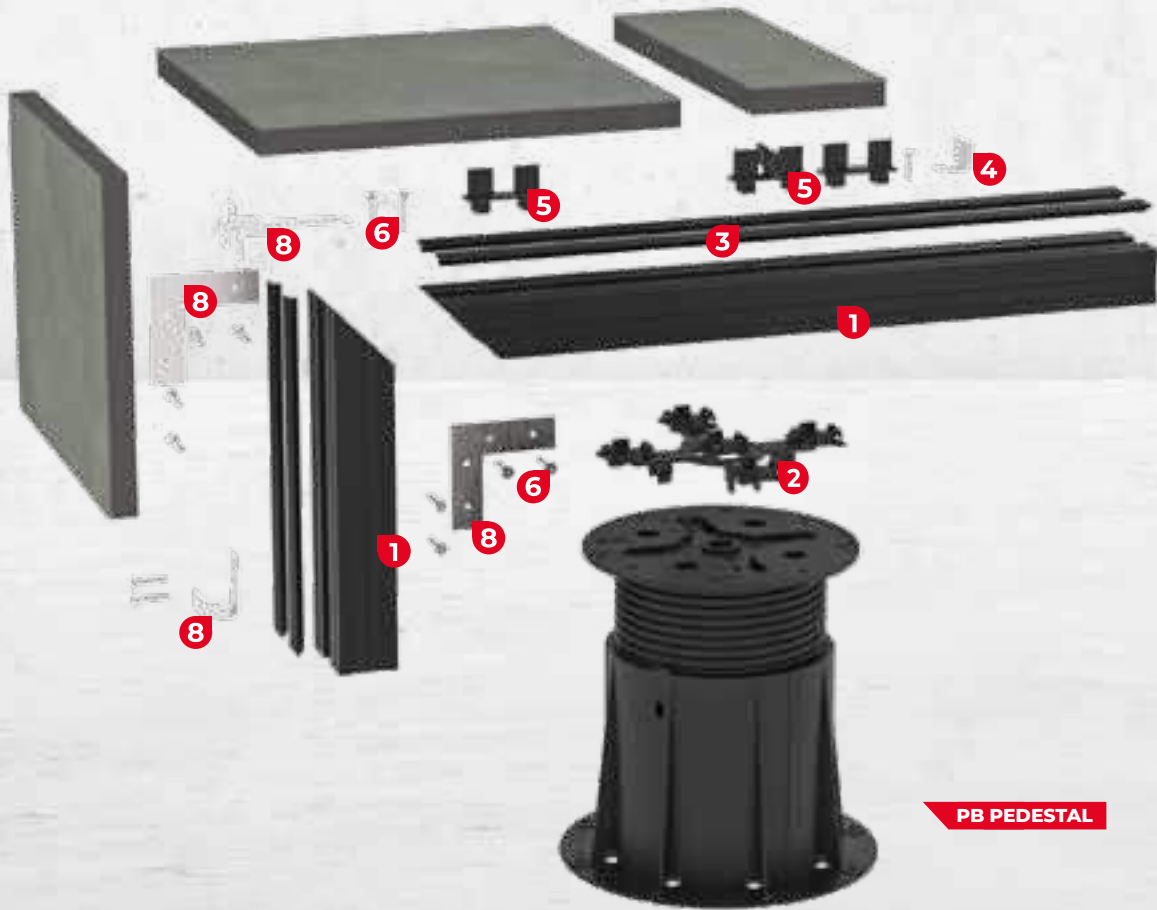


NEW

U-BRS System

Practical and functional, the **U-BRS** system offers a complete structure for the elevated laying of outdoor space.

The system includes height-adjustable polypropylene pedestals, reinforced aluminium profiles and spacer tabs that provide a gap of 3 mm between the pavers. The system is complemented by finishing accessories capable of meeting all types of implementation requirements.



1

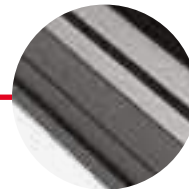
U-BRS: Aluminium joists
(2400 x 60 mm): 24 or 38 mm.



U-BRS-M



U-BRS-B



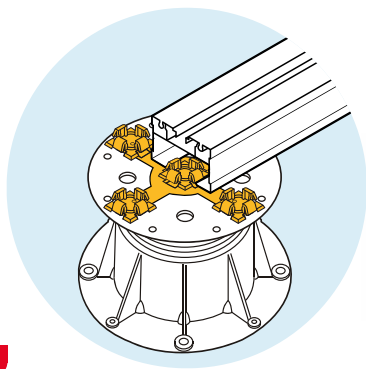
Anodising provides:

- Surface resistance (to scratches, scuffing, etc.)
- Resistance to erosion
- Resistance to atmospheric pollutants
- Resistance to corrosion (corrosive elements are chlorine, wet concrete, sea water, sand, and salt)

Joists with anodisation are therefore recommended for pool sites or on coasts.



The joists are available with anodising (U-BRS-B) and without anodising (U-BRS-M)

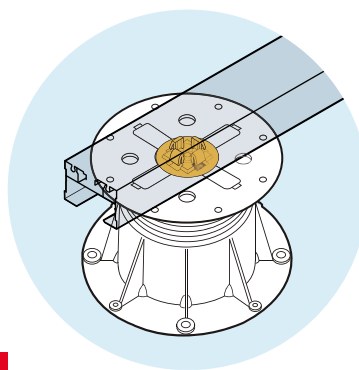


2

NEW



PB-KIT-2



2



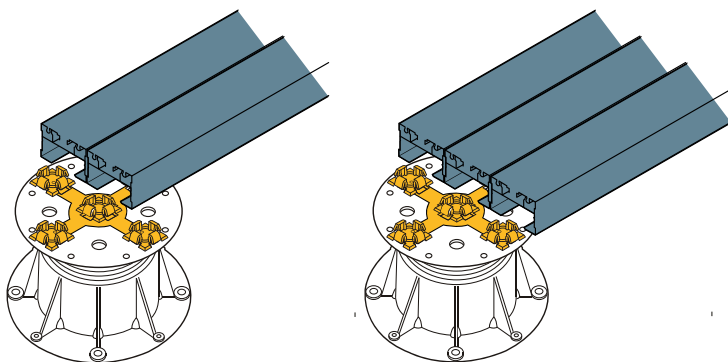
PB-KIT-8

PB-KIT-2: Joist support

It secures the joist to the top of pedestal simply by pressing. Once the PB-KIT2 is installed on the pedestal, simply press the joist on the pedestal, and the profiled base of the joist automatically attaches, while allowing the pedestal to slide under the joists for optimal positioning.

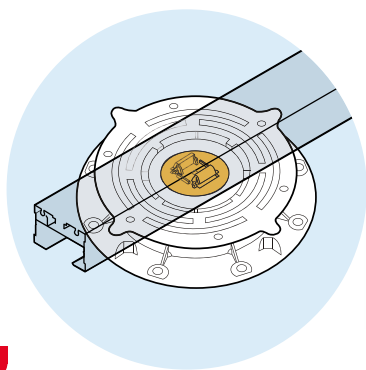
PB-KIT-8: Joist support

It is also possible to use our PB-KIT 8 universal fastening.



The new **PB-KIT 2** can double or triple the number of joists if required.

USE WITH PEDESTAL PB-0-S-18

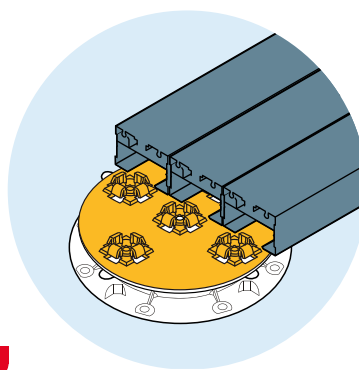


2

NEW



PB-KIT-8-0-S



2

NEW



U-FIX-PLATE-5

PB-KIT-8-0-S: Joist support

The PB-KIT-8-0-S kit is used for fastening elements to the PB-0-S18 pedestal.

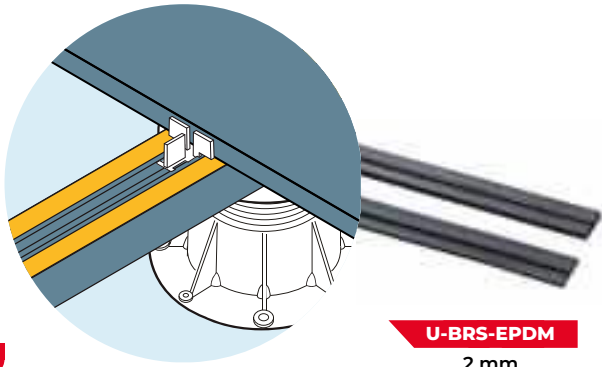
U-FIX-PLATE-5: Joist support

If joists are juxtaposed or crossed, using a U-FIX PLATE-5 is necessary.

It is fixed to the head of the pedestal using a pin tube and small rack plug.

Pin tube

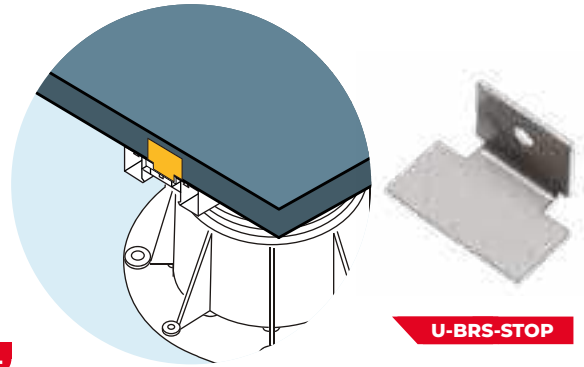
Rack plug small



3

U-BRS-EPDM
2 mm

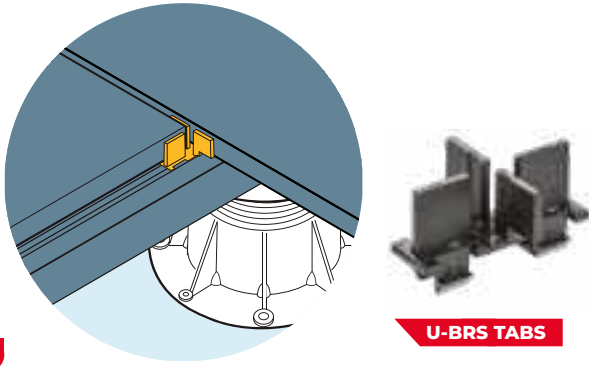
U-BRS-EPDM-2 mm: EPDM protection
Attached to the U-BRS joists, it stabilises the paver and provides additional acoustic comfort.



4

U-BRS-STOP

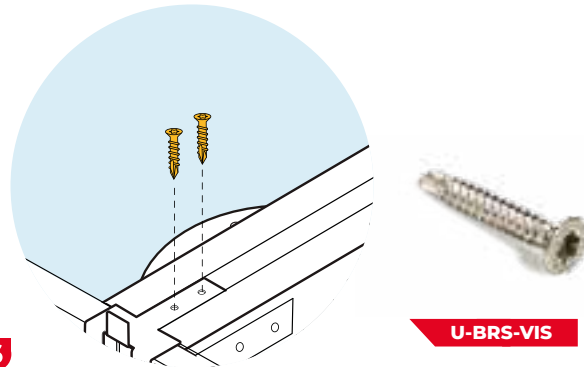
U-BRS-STOP prevents the pavers from slipping off the end of the terrace.
It enables stopping the pavers at the edge of the terrace.



5

U-BRS-TABS

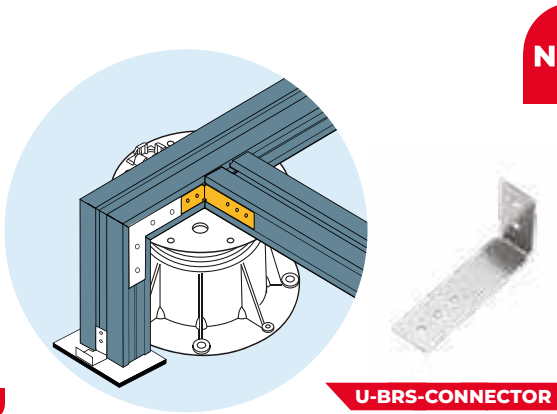
U-BRS-TABS: spacer tab that regulates the spacing between the pavers, ensures alignment, and allows the rapid drainage of excess water. The spacer tabs are available in different thicknesses: 2, 3 and 4.5 mm.



6

U-BRS-VIS

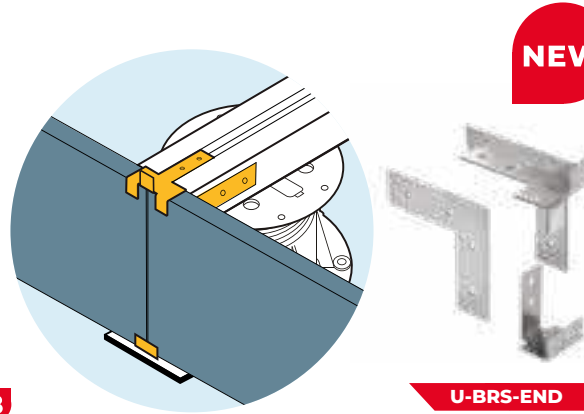
U-BRS-VIS: Fastening screws for joists (3,9 x 25 mm)
U-BRS-VIS also enables U-Wall and U-Edge accessories to be fastened to the heads of pedestals



7

U-BRS-CONNECTOR

U-BRS-CONNECTOR: connector for securing two perpendicular joists.



8

U-BRS-END

U-BRS-END: stainless steel finishing kit to facilitate peripheral terrace cladding. Two blades with claws encircle the 20 mm plinth.



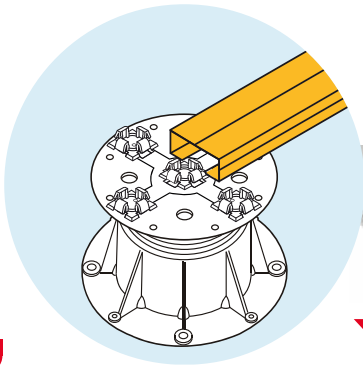
U-BRS-WOOD System

The **U-BRS-WOOD** system will facilitate the realisation of your wooden terrace with aluminium joists. Our system is compatible with most wooden boards and fastenings.



The spacing system between the wooden boards depends on the boards chosen.

The U-BRS END, U-BRS TABS, U-BRS STOP and U-BRS CONNECTOR are not compatible with the U-BRS WOOD system.



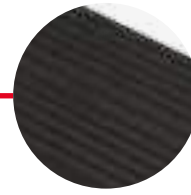
NEW

U-BRS-WOOD-M
24 mm



NEW

U-BRS-WOOD-B
24 mm



Anodising provides:

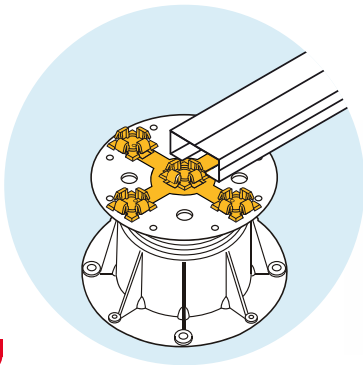
- Surface resistance (to scratches, scuffing, etc.)
- Resistance to erosion
- Resistance to atmospheric pollutants
- Resistance to corrosion (corrosive elements are chlorine, wet concrete, sea water, sand, and salt)

Black (U-BRS WOOD-B) joists are therefore recommended for pool sites or on coasts.

U-BRS-WOOD-B: Aluminium joists (2400 x 60 mm)

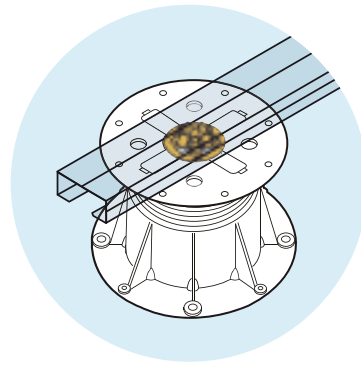


Joists with anodising are available (**U-BRS WOOD-B**) and without anodising (**U-BRS WOOD-M**)



NEW

PB-KIT-2



PB-KIT-8



PB-KIT-2: Joist support

It secures the joist to the top of pedestal simply by pressing. Once the PB-KIT-2 is installed on the pedestal, just press the joist on the pedestal and the profiled base of the joist is attached automatically

It is also possible to use our **PB-KIT-8** universal fastening.



WOODEN BOARDS AND THEIR FASTENINGS: Not supplied by Buzon®!

Our aluminium joist system is compatible with most wooden boards and fastenings. We advise you to request more information from your wooden board supplier.

Technical information and use

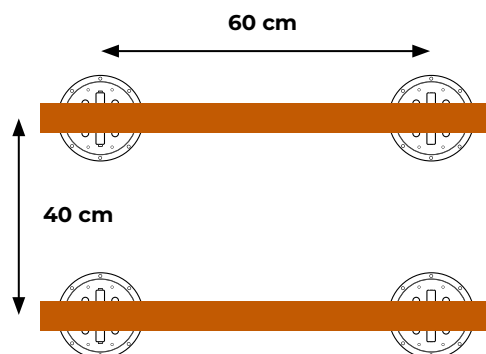
STANDARD SYSTEM / PEDESTALS

AVERAGE NUMBER OF PEDESTALS PER m²

Dimensions and surface area of the terrace	20 m ²	50 m ²	100 m ²	1,000 m ²
Length	5	10	10	50
Width	4	5	10	20
Paver format	Pedestals / m ²	Pedestals / m ²	Pedestals / m ²	Pedestals / m ²
40 x 40 cm	7.70	7.28	6.76	6.43
50 x 50 cm	4.95	4.62	4.41	4.14
60 x 60 cm	4.00	3.60	3.24	2.94
75 x 75 cm	4.90	4.36	4.21	3.71
80 x 80 cm	4.15	4.06	3.65	3.24
90 x 90 cm	6.00	5.76	5.76	5.15
100 x 100 cm	4.95	4.62	4.41	4.14
120 x 30 cm	7.50	6.48	6.30	5.78
120 x 40 cm	5.50	5.04	4.68	4.34
120 x 60 cm	4.00	3.60	3.24	2.98
90 x 45 cm	6.00	5.76	5.76	5.15
120 x 120 cm	4.00	3.60	3.24	2.94
45 x 45 cm	6.00	5.76	5.76	5.15
60 x 30 cm	7.50	6.48	6.30	5.78
60 x 40 cm	5.50	5.04	4.68	4.34
40 x 80 cm	7.70	7.28	6.76	6.43
50 x 100 cm	4.95	4.62	4.41	4.14
180 x 30 cm	7.50	6.48	6.30	5.78
160 x 30 cm	7.7	7.18	6.8	6.47

The use of pedestals is recommended for pavers of minimum 30 x 30 cm, in agreement with the tile setter.
For the laying of non-square pavers, the amount of pedestals used varies according to their place under the pavers.
This information is given as an indication, the consumption varying according to the specificities of each project.

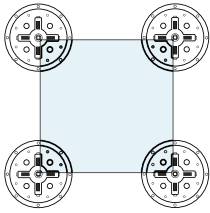
Buzon® cannot be held responsible for variations in quantities.



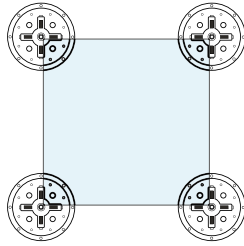
Average consumption for a wooden terrace: one pedestal every 60 cm and one joist every 40 cm



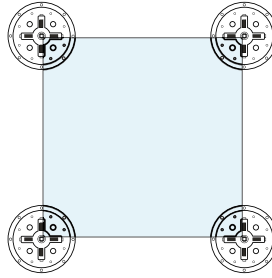
RECOMMENDED POSITIONS OF THE PEDESTALS UNDER THE PAVERS



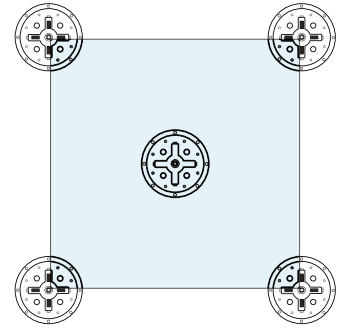
40 x 40 cm



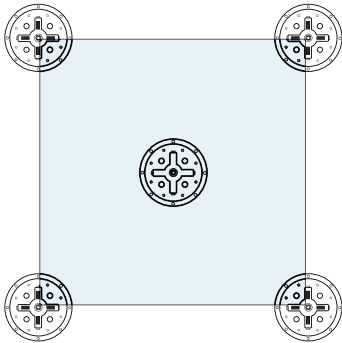
50 x 50 cm



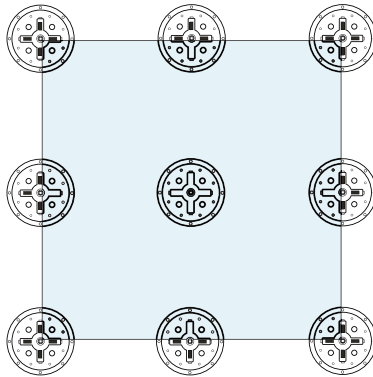
60 x 60 cm



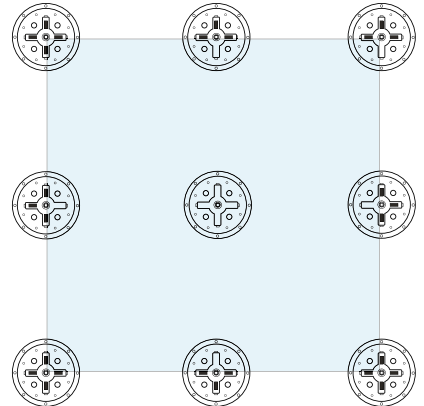
75 x 75 cm



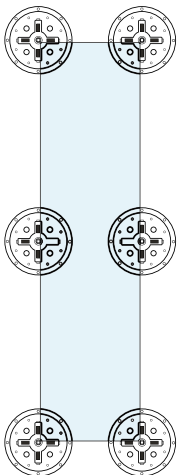
80 x 80 cm



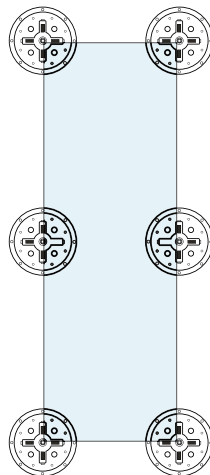
90 x 90 cm



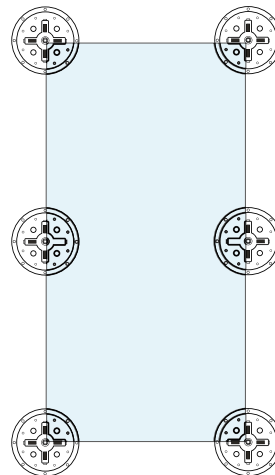
100 x 100 cm



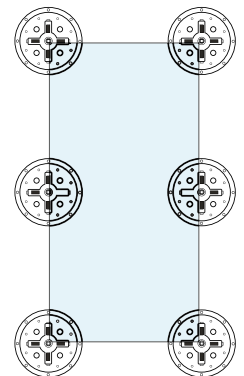
120 x 30 cm



120 x 40 cm

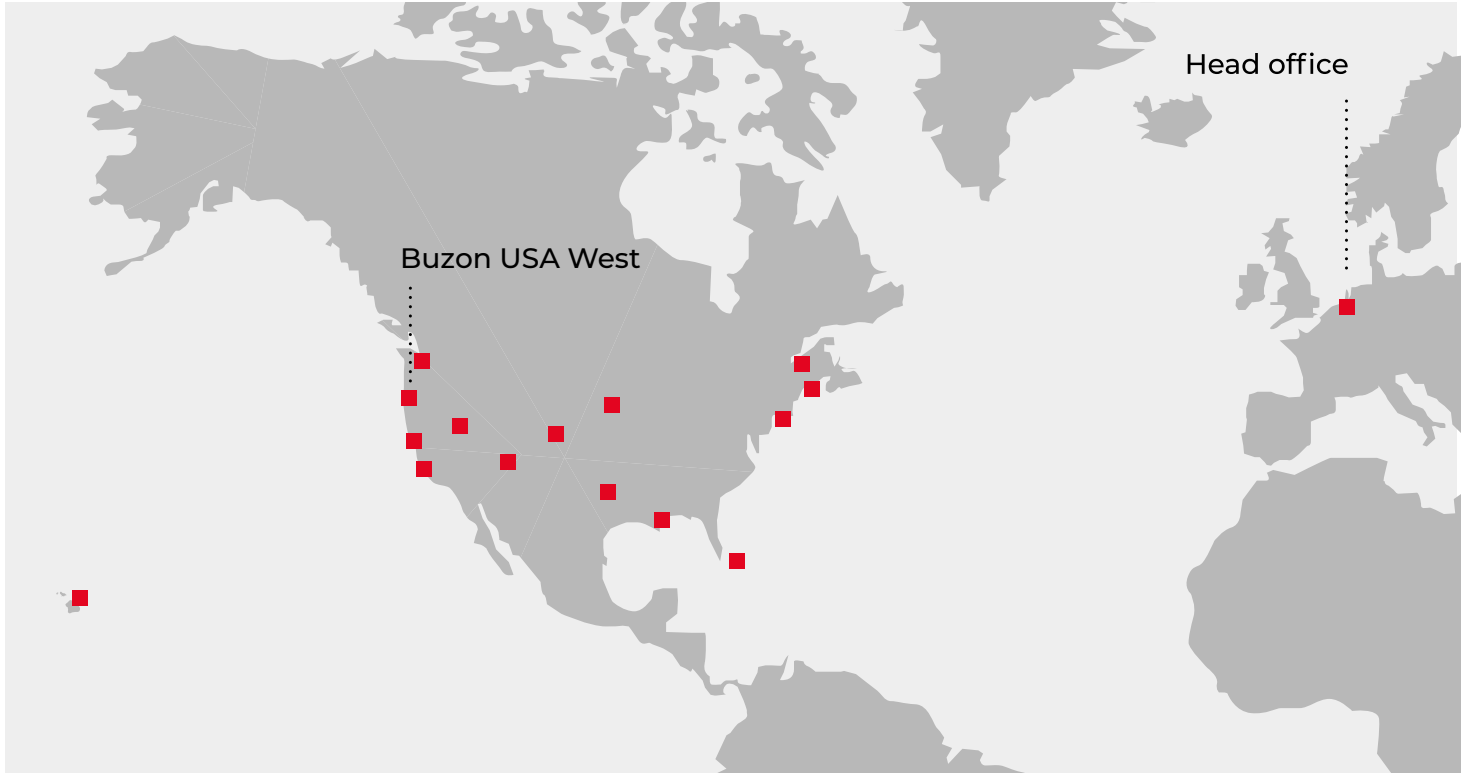


120 x 60 cm



90 x 45 cm

Buzon USA West Projects



References

- Sun's Practice Facility - Phoenix, AZ
- Sony Studio HQ - Los Angeles, CA
- Apple Campus - Palo Alto, CA
- Samsung HQ - Palo Alto, CA
- Lucille Packard Children's Hospital - Stanford, CA
- Haas School of Business - UC Berkeley, CA
- IMAX Theater - Nassau, Bahamas
- Four Seasons Hotel - Honolulu, HI
- Canal Street Rooftop Pool - New Orleans, LA

- Smith Center Harvard University - Cambridge, MA
- Microsoft Campus - Redmond, WA
- The Dean - Palo Alto, CA
- Nike Campus HQ - Beaverton, OR
- Hoakalei CC - Ewa Beach, HI
- Hilton Grand Islander - Honolulu, HI
- Four Seasons Resort at Ko Olina - Kapolei, HI
- One World Trade Center - New York City, NY
- Wynn Resort & Casino Hotel - Las Vegas, NV



Buzon®
Buzon USA West
sales@buzonusawest.com
buzonpedestals.com
(503) 954 - 3336





Providing Architects and Builders with
Superior Paving, Decking and Pedestal Products.

Commercial | Luxury Residential | Municipal

Extended Team

We can also provide technical consultation and installation training for projects that involve Buzon Pedestals. Please contact us to discuss your particular needs. HDG Building Materials also has a network of experienced installers in many major cities. Please contact us for introductions or referrals.

Sales Representatives

Sales representatives for HDG Building Materials are located in the Pacific Northwest, Southern California, and Iowa.

Outside of those regions? No problem, we are happy to serve. Please contact us at 503.360.9551



HDG Building Materials
Commercial | Luxury Residential | Municipal

4508 SE Ascension Drive
Camas, WA 98607

503.360.9551

sales@hdgbuildingmaterials.com

HDG Building Materials is an expert dealer
for Buzon Pedestals International.
HDG provides architectural
sales and support in North America.